

Dell™ Systems

Rack Installation Guide

Guide d'installation du rack

Rack-Installationsanleitung

ラック取り付けガイド

Guía de instalación del estante



Dell™ Systems

Rack Installation Guide



Notes, Notices, and Cautions



NOTE: A NOTE indicates important information that helps you make better use of your computer.



NOTICE: A NOTICE indicates either potential damage to hardware or loss of data and tells you how to avoid the problem.



CAUTION: A CAUTION indicates a potential for property damage, personal injury, or death.

Information in this document is subject to change without notice.

© 2002 Dell Computer Corporation. All rights reserved.

Reproduction in any manner whatsoever without the written permission of Dell Computer Corporation is strictly forbidden.

Trademarks used in this text: *Dell*, the *DELL* logo, *VersaRails*, and *RapidRails* are trademarks of Dell Computer Corporation.

Other trademarks and trade names may be used in this document to refer to either the entities claiming the marks and names or their products. Dell Computer Corporation disclaims any proprietary interest in trademarks and trade names other than its own.

October 2002

P/N 5X860

Rev. A00

Contents

- CAUTION: Safety Instructions 1-1**
 - Rack Mounting of Systems 1-1

- Installation Instructions 1-2**
 - Rack Requirements for VersaRails 1-3

- Four-Post Rack Installation 1-3**
 - Before You Begin. 1-3
 - Recommended Tools and Supplies. 1-3
 - RapidRails Rack Kit Contents. 1-4
 - VersaRails Rack Kit Contents. 1-4
 - Installation Tasks. 1-5
 - Removing the Rack Doors. 1-5
 - Marking the Rack 1-6
 - Installing the RapidRails Slide Assemblies 1-7
 - Installing the VersaRails Slide Assemblies 1-9
 - Installing the System in the Rack. 1-10
 - Installing the Cable-Management Arm 1-11
 - Routing Cables 1-14
 - Replacing the Rack Doors. 1-16

- Two-Post Rack Installation. 1-16**
 - Recommended Tools and Supplies. 1-16
 - Rack Kit Contents 1-17
 - Two-Post Rack Installation Tasks 1-17
 - Marking the Rack 1-18
 - Installing the Slide Assemblies in the Rack 1-19
 - Installing the System in the Rack. 1-25
 - Installing the Cable-Management Arm 1-26
 - Routing Cables 1-26

Index

Figures

Figure 1-1.	RapidRails Rack Kit Contents	1-4
Figure 1-2.	VersaRails Rack Kit Contents	1-5
Figure 1-3.	One Rack Unit	1-6
Figure 1-4.	Marking the Vertical Rails	1-7
Figure 1-5.	Installing the RapidRails Slide Assemblies	1-8
Figure 1-6.	Installing the VersaRails Slide Assemblies	1-9
Figure 1-7.	Installing the System in the Rack (RapidRails or VersaRails)	1-11
Figure 1-8.	Installing the Cable-Management Arm	1-12
Figure 1-9.	Opening the Wire Covers	1-13
Figure 1-10.	Installing the Power Cord Strain Relief	1-14
Figure 1-11.	Routing Cables	1-15
Figure 1-12.	Two-Post Rack Kit Components	1-17
Figure 1-13.	Two-Post, Open-Frame Relay Rack Universal-Hole Spacing	1-18
Figure 1-14.	Two-Post, Open-Frame Relay Rack Wide-Hole Spacing	1-19
Figure 1-15.	Installing the Slide Assemblies for Center-Mount Configuration	1-21
Figure 1-16.	Installing the Stiffening Bracket (shown in 3-inch rack position)	1-22
Figure 1-17.	Rotating the Front Mounting Bracket for Flush-Mount Installation	1-23
Figure 1-18.	Installing the Slide Assemblies for Flush-Mount Configuration	1-24


CAUTION: Safety Instructions

Use the following safety guidelines to help ensure your own personal safety and to help protect your system and working environment from potential damage. For complete safety information, see the *System Information Guide*.


Rack Mounting of Systems

Observe the following precautions for rack stability and safety.

Systems are considered to be components in a rack. Thus, "component" refers to any system as well as to various peripherals or supporting hardware.

 **CAUTION: Installing systems in a rack without the front and side stabilizers installed could cause the rack to tip over, potentially resulting in bodily injury under certain circumstances. Therefore, always install the stabilizers before installing components in the rack.**

After installing system/components in a rack, never pull more than one component out of the rack on its slide assemblies at one time. The weight of more than one extended component could cause the rack to tip over and may result in serious injury.

 **NOTE:** Your system is safety-certified as a free-standing unit and as a component for use in a Dell™ rack cabinet using the customer rack kit. The installation of your system and rack kit in any other rack cabinet has not been approved by any safety agencies. It is your responsibility to ensure that the final combination of system and rack complies with all applicable safety standards and local electric code requirements. Dell disclaims all liability and warranties in connection with such combinations.

- System rack kits are intended to be installed in a rack by trained service technicians. If you install the kit in any other rack, be sure that the rack meets the specifications of a Dell rack.

 **CAUTION: Do not move racks by yourself. Due to the height and weight of the rack, a minimum of two people should accomplish this task.**

- Before working on the rack, make sure that the stabilizers are secured to the rack, extended to the floor, and that the full weight of the rack rests on the floor. Install front and side stabilizers on a single rack or front stabilizers for joined multiple racks before working on the rack.
- Always load the rack from the bottom up, and load the heaviest item in the rack first.
- Make sure that the rack is level and stable before extending a component from the rack.

CAUTION: Safety Instructions (*continued*)

- Use caution when pressing the component rail release latches and sliding a component into or out of a rack; the slide rails can pinch your fingers.
- After a component is inserted into the rack, carefully extend the rail into a locking position, and then slide the component into the rack.
- Do not overload the AC supply branch circuit that provides power to the rack. The total rack load should not exceed 80 percent of the branch circuit rating.
- Ensure that proper airflow is provided to components in the rack.
- Do not step on or stand on any component when servicing other components in a rack.

Installation Instructions


This installation guide provides instructions for trained service technicians installing one or more systems in a rack cabinet or in an open-frame relay rack. The RapidRails™ rack kit can be installed in all the system manufacturer's rack cabinets without tools, and the VersaRails™ rack kit can be installed in most industry-standard rack cabinets. The procedures for installing both RapidRails and VersaRails rack kits are similar. One rack kit is required for each system to be installed in the rack cabinet.

This guide includes procedures for the following rack kits:

- RapidRails kit in a four-post rack cabinet
- VersaRails kit in a four-post rack cabinet
- Two-post kit (installed in either center-mount or flush-mount configuration)

For ease in troubleshooting and the identification of system health, some rack kits include a status-indicator cable assembly that extends the information from the two-color status indicators on the front and back panels to the back of the cable-management arm. For more information on these indicators, see the *User's Guide*.

Before attempting this installation, you should read through this entire document carefully.

 **CAUTION: Do not install rack kit components designed for another system. Use only the rack kit for your system. Using the rack kit for another system may result in damage to the system and personal injury to yourself and to others.**

Rack Requirements for VersaRails


- ➡ **NOTICE:** The VersaRails rack kit is intended to be installed by trained service technicians in a rack that meets the specifications of American National Standards Institute (ANSI)/Electronic Industries Association (EIA) standard ANSI/EIA-310-D-92, International Electrotechnical Commission (IEC) 297, and Deutsche Industrie Norm (DIN) 41494. One rack kit is required for each system that is installed in a rack.


Four-Post Rack Installation


Before attempting this installation, you should read through this entire procedure carefully.

Before You Begin

Before you begin installing your system in the rack, carefully read "Safety Instructions" as well as the safety instructions found in your system's *System Information* document for additional information.


 **CAUTION:** When installing multiple systems in a rack, complete all of the procedures for the current system before attempting to install the next system.

 **CAUTION:** Rack cabinets can be extremely heavy and move easily on their casters. They have no brakes. Use extreme caution while moving the rack cabinet. Retract the leveling feet when relocating the rack cabinet. Avoid long or steep inclines or ramps where loss of cabinet control may occur. Extend the leveling feet for support and to prevent the cabinet from rolling.

 **NOTE:** For instructions on installing the system itself, see "Installing the System in the Rack."

Important Safety Information

Observe the safety precautions in the following subsections when installing your system in the rack.

 **CAUTION:** You must strictly follow the procedures in this document to protect yourself as well as others who may be involved. Your system may be very large and heavy and proper preparation and planning are important to prevent injury to yourself and to others. This becomes increasingly important when systems are installed high up in the rack.

Recommended Tools and Supplies

You may need the following tools and supplies to install the system in a four-post rack:

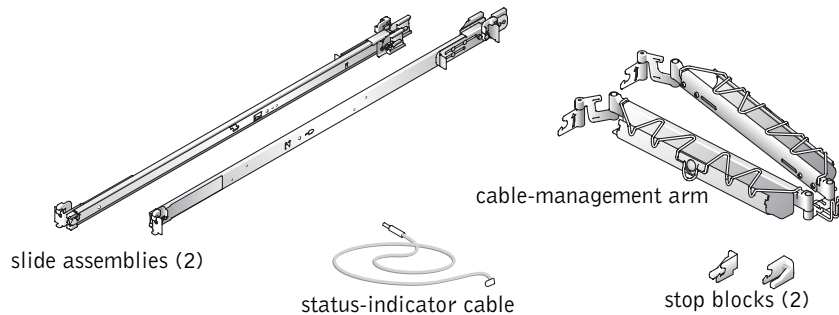
- #2 Phillips screwdriver
- Masking tape or a felt-tip pen, for use in marking the mounting holes to be used

RapidRails Rack Kit Contents

The RapidRails rack kit includes the following items (see Figure 1-1):

- One pair of RapidRails slide assemblies
- One cable-management arm
- Two stop blocks (left and right)
- One status-indicator cable assembly
- Releasable tie wraps (not shown in Figure 1-1)

Figure 1-1. RapidRails Rack Kit Contents



VersaRails Rack Kit Contents

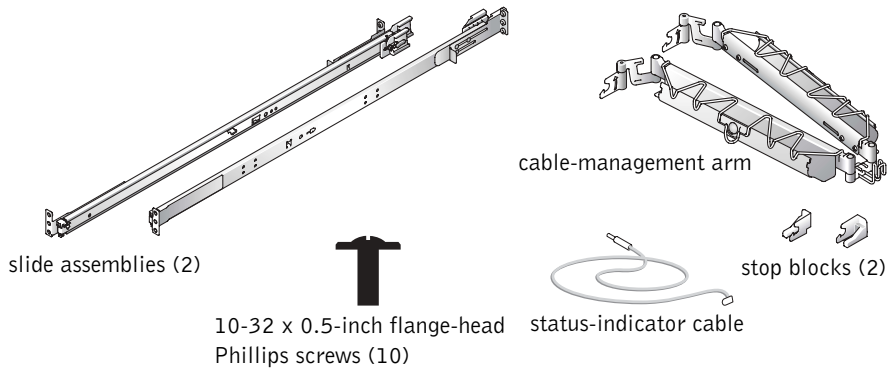
The VersaRails rack kit includes the following items (see Figure 1-2):

- One pair of VersaRails slide assemblies
- One cable-management arm
- Two stop blocks (left and right)
- One status-indicator cable assembly
- Ten 10-32 x 0.5-inch flange-head Phillips screws
- Releasable tie wraps (not shown in Figure 1-2)



NOTE: The nonmetric screws described in illustrations and in procedural steps are identified by size and number of threads-per-inch. For example, a #10 Phillips-head screw with 32 threads per inch is identified as a 10-32 screw.

Figure 1-2. VersaRails Rack Kit Contents



Installation Tasks

Installing a rack kit involves performing the following tasks in their numbered order:

- 1 Removing the rack doors
- 2 Marking the rack
- 3 Installing the slide assemblies in the rack
 - RapidRails slide assemblies
 - VersaRails slide assemblies
- 4 Installing the system in the rack
- 5 Installing the cable-management arm
- 6 Routing cables
- 7 Replacing the rack doors

Removing the Rack Doors

See the procedures for removing doors in the documentation provided with your rack cabinet.

⚠ CAUTION: Because of the size and weight of the rack cabinet doors, never attempt to remove or install them by yourself.

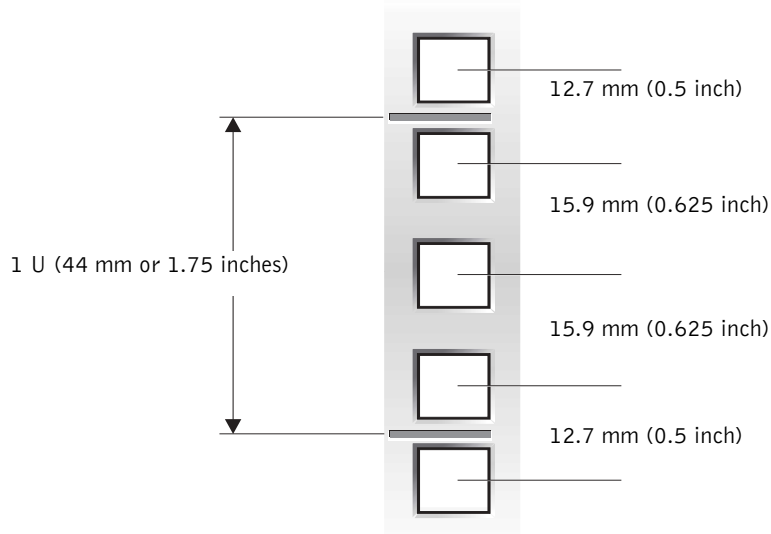
⚠ CAUTION: Store the two doors where they will not injure someone if the doors accidentally fall over.

Marking the Rack

You must allow 1 U (44 mm, or 1.75 inches) of vertical space for each system you install in the rack. Rack cabinets that meet EIA-310 standards have an alternating pattern of three holes per rack unit with center-to-center hole spacing (beginning at the top hole of a 1-U space) of 15.9 mm, 15.9 mm, and 12.7 mm (0.625 inch, 0.625 inch, and 0.5 inch) for the front and rear vertical rails (see Figure 1-3). Rack cabinets may have round or square holes.

NOTE: The vertical rails may be marked by horizontal lines and numbers in 1-U increments. If you wish, you can make a note of the number marking on the rack's vertical rail. It is not necessary to mark or place tape on the rack. If you choose this method, skip ahead to the procedure "Installing the RapidRails Slide Assemblies."

Figure 1-3. One Rack Unit



CAUTION: If you are installing more than one system, install the slide assemblies so that the first system is installed in the lowest available position in the rack.

To mark the rack, perform the following steps:

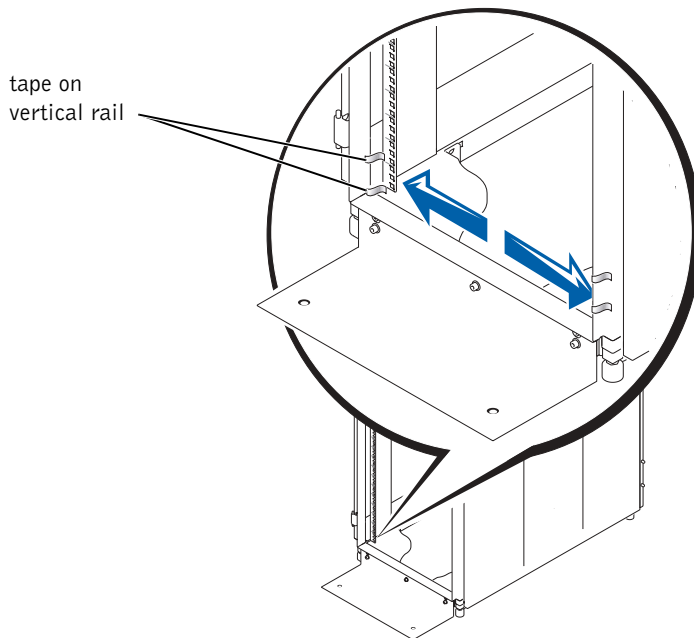
- 1 Place a mark on the rack's front vertical rails where you want to locate the bottom of the system you are installing in the rack cabinet.

The bottom of each 1-U space is at the middle of the narrowest metal area between holes (marked with a horizontal line on some rack cabinets—see Figure 1-3).

- 2 Place a mark 44 mm (1.75 inches) above the original mark you made (or count up three holes in a rack that meets EIA-310 standards) and mark the rack's front vertical rails with a felt-tipped marker or masking tape (if you counted holes, place a mark just above the top hole).

This mark or piece of tape indicates where the system's upper edge will be located on the vertical rails (see Figure 1-4).

Figure 1-4. Marking the Vertical Rails



Installing the RapidRails Slide Assemblies

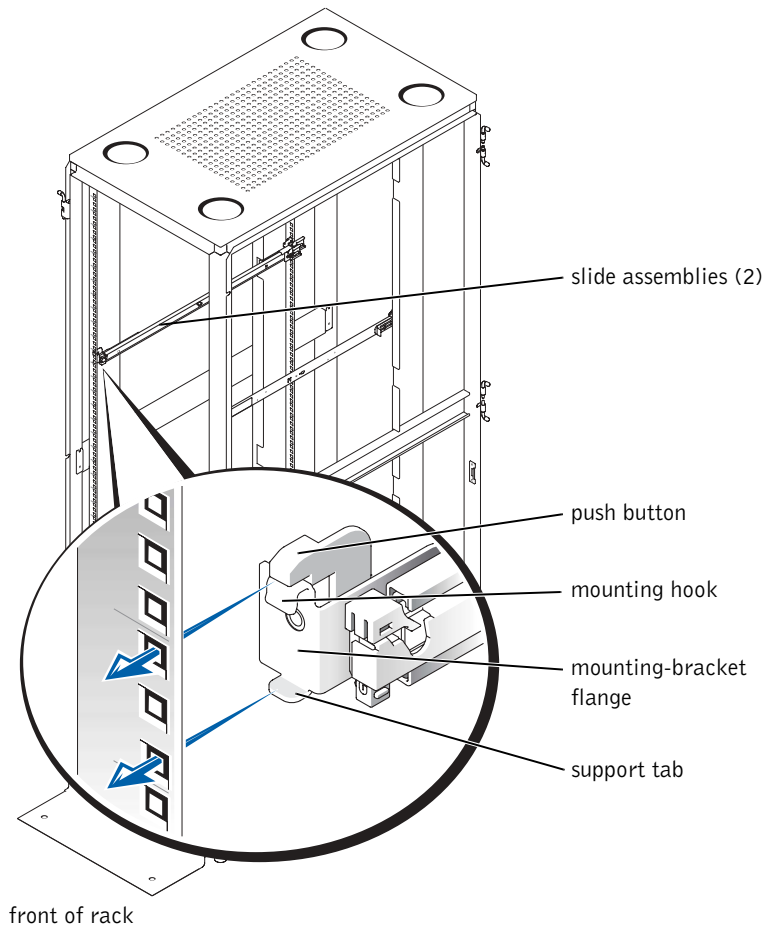
- 1 At the front of the rack cabinet, position one of the RapidRails slide assemblies so that its mounting-bracket flange fits between the marks or tape you placed on the rack (see Figure 1-5).

The mounting hook on the slide assembly's front mounting bracket flange should enter the top hole between the marks you made on the vertical rails.

- 2 Push the slide assembly forward until the mounting hook enters its respective square hole on the vertical rail, and then push down on the mounting-bracket flange until the mounting hooks seat in the square holes and the push button pops out and clicks.

- 3 At the back of the cabinet, pull back on the mounting-bracket flange until the mounting hooks are located in their respective square holes, and then push down on the mounting-bracket flange until the mounting hooks seat in the square holes and the push button pops out and clicks.
- 4 Repeat steps 1 through 3 for the slide assembly on the other side of the rack.
- 5 Ensure that the rails are mounted at the same position on the vertical rails on each side of the rack.

Figure 1-5. Installing the RapidRails Slide Assemblies



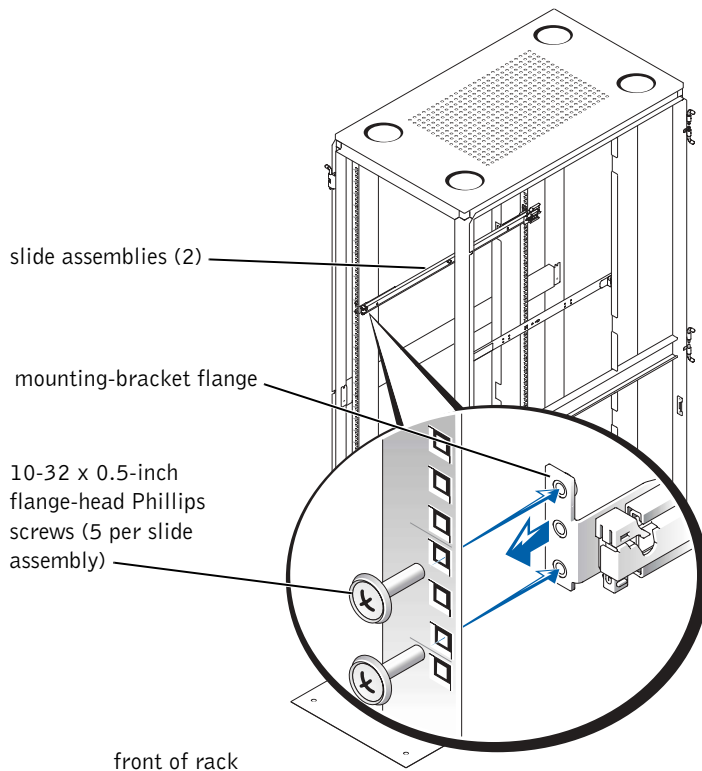
Installing the VersaRails Slide Assemblies

- 1 At the front of the rack cabinet, position one of the VersaRails slide assemblies so that its mounting-bracket flange fits between the marks or tape (or numbered location) on the rack (see Figure 1-6).

The three holes on the front of the mounting bracket should align with three of the holes between the marks you made on the front vertical rail.

- 2 Install two 10-32 x 0.5-inch flange-head Phillips screws in the mounting flange's top and bottom holes to secure the slide assembly to the front vertical rail (see Figure 1-6).
- 3 At the back of the cabinet, pull back on the mounting-bracket flange until the mounting holes align with their respective holes on the back vertical rail.
- 4 Install three 10-32 x 0.5-inch flange-head Phillips screws in the back mounting holes to secure the slide assembly to the back vertical rail.

Figure 1-6. Installing the VersaRails Slide Assemblies



- 5 Repeat step 1 through step 4 for the slide assembly on the other side of the rack.
- 6 Ensure that the slide assemblies are mounted at the same position on the vertical rails on each side of the rack.

Installing the System in the Rack



CAUTION: If you are installing more than one system, install the first system in the lowest available position in the rack.



CAUTION: Never pull more than one component out of the rack at a time.

- 1 Pull the two slide assemblies out of the rack until they lock in the fully extended position.



CAUTION: Because of the size and weight of the system, never attempt to install the system in the slide assemblies by yourself.

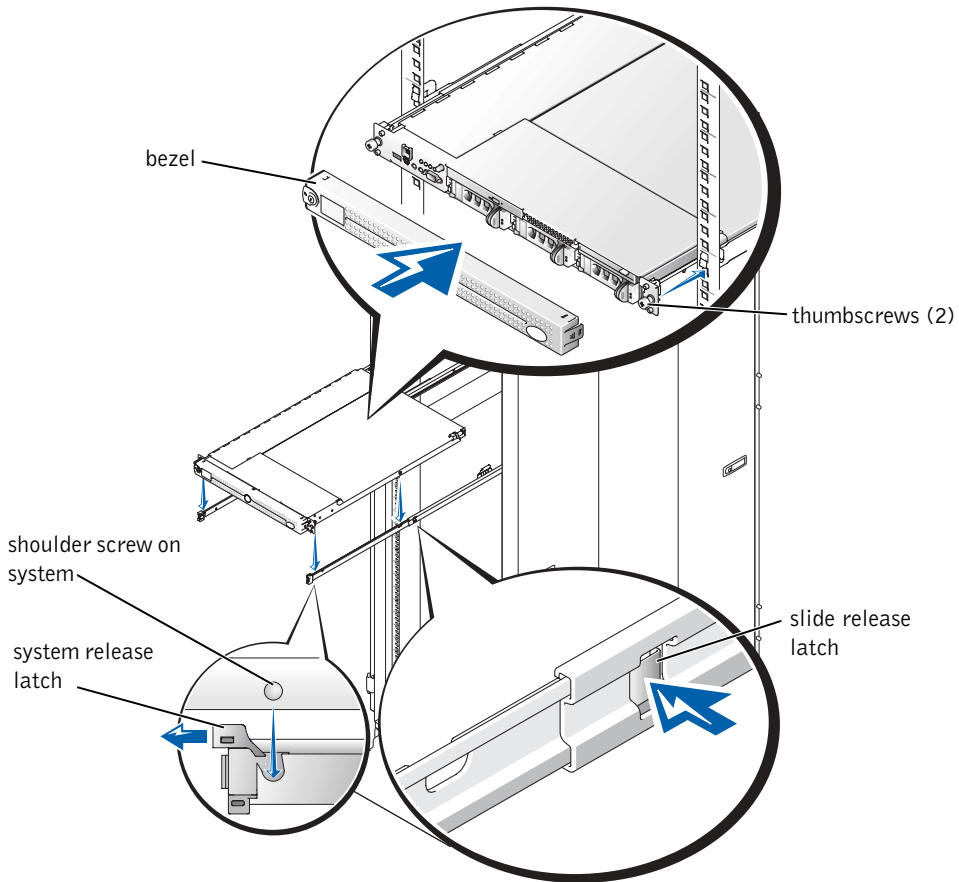
- 2 Remove the system front bezel:
 - a Unlock the keylock.
 - b Press the right- and left-end tabs.
 - c Pull the bezel away from the system.
- 3 Lift the system into position in front of the extended slides.
- 4 Place one hand on the front-bottom of the system and the other hand on the back-bottom of the system.
- 5 Tilt the back of the system down while aligning the back shoulder screws on the sides of the system with the back slots on the slide assemblies.
- 6 Engage the back shoulder screws into their slots.
- 7 Lower the front of the system and engage the front shoulder screws in the front slot behind the system release latch (see Figure 1-7).

The system release latch will move forward and then snap back as the shoulder screw passes into the front slot.

Use this system release latch when you wish to remove the system from the slide assemblies.

- 8 Press the slide release latch at the side of each slide and push the system completely into the rack (see Figure 1-7).
- 9 Push in and turn the captive thumbscrews on each side of the front chassis panel to secure the system to the rack.

Figure 1-7. Installing the System in the Rack (RapidRails or VersaRails)



Installing the Cable-Management Arm

NOTICE: The cable-management arm can be installed on the right- or left-side of the rack cabinet. This procedure describes installing the cable-management arm in the right side of the rack cabinet, as viewed from the back. If you are installing several systems in the rack, consider installing the cable-management arms on alternating sides of the rack for ease in cable routing.

To install the cable-management arm on the back of the system, perform the following steps:

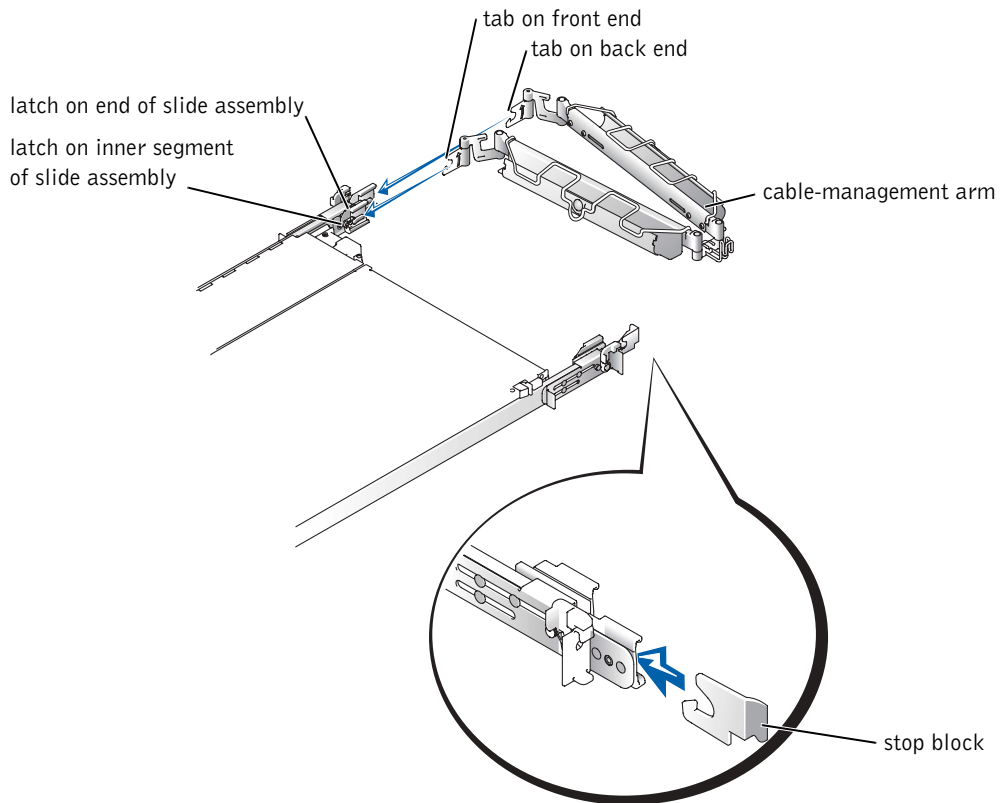
- 1 Facing the back of the rack cabinet, locate the latch on the end of the right slide assembly that you secured to the back vertical rail.
- 2 Push the tab on the back end of the cable-management arm into the latch on the end of the slide assembly (see Figure 1-8).

The latch clicks when locked.

- 3 Push the tab on the front end of the cable-management arm into a mating latch on the inner segment of the slide assembly (see Figure 1-8).

The latch clicks when locked.

Figure 1-8. Installing the Cable-Management Arm



- 4 Install a stop block on the latch on the end of the opposite slide assembly (see Figure 1-8).

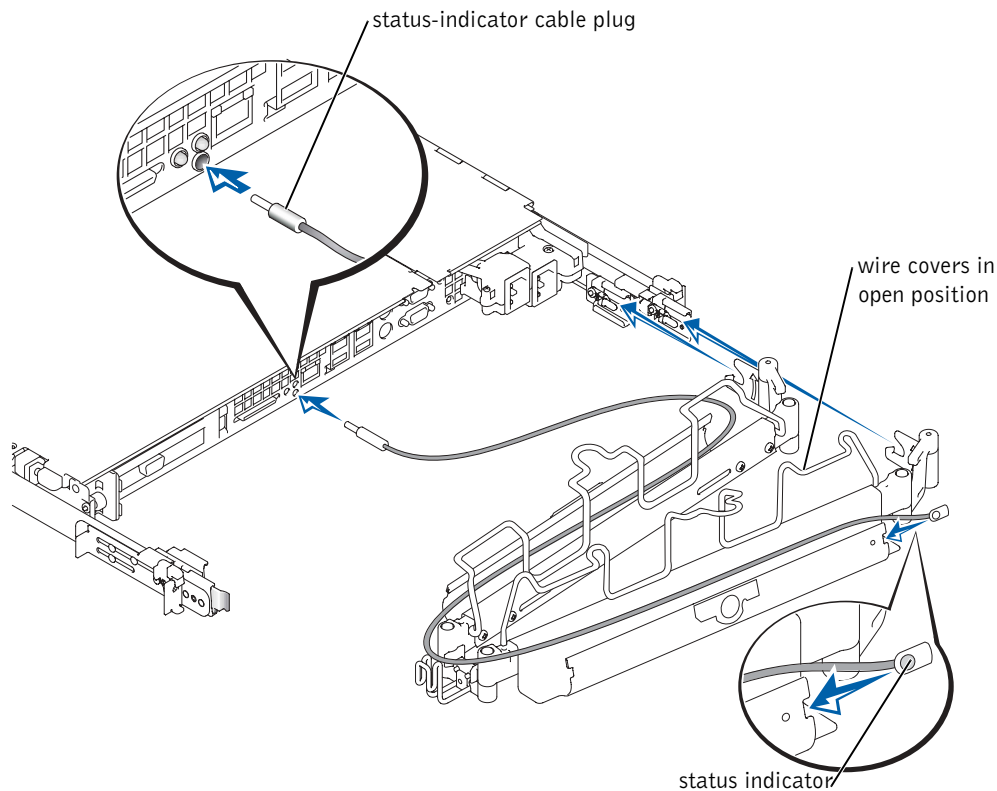
The stop block prevents the cable-management arm from moving backward and supports the weight of the arm with its load of installed cables.

The rack kit has two stop blocks: one for right-side mounting and one for left-side mounting. You can only install the proper stop block.

- 5 Install the status-indicator cable plug into its connector.
- 6 Open the wire covers on the cable-management arm by lifting the center of the wire over the top of the embossed round button on the front of the forward part of the arm, and lifting the wire over the top of a similar round button on the back part of the arm.

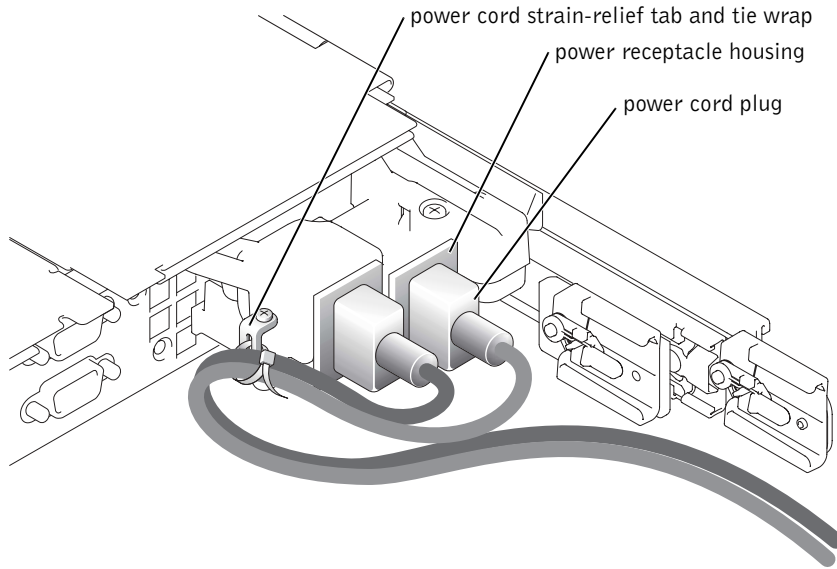
The wire cover swings open to enable cables to be routed within the arm.

Figure 1-9. Opening the Wire Covers



- 7 Route the status-indicator end of the cable assembly through the cable-management arm, and install the indicator in its slot at the back end of the cable-management arm (see Figure 1-9).
- 8 Connect the power cords to their receptacles on the back panel.
- ➡ **NOTICE:** Although the strain-relief can accommodate power cords with a bend radius of up to 19 mm (0.75 inch), the system manufacturer recommends that you only use the power cords provided with the system.
- 9 Install a tie-wrap through the slot on the strain-relief tab (see Figure 1-10).
- 10 Bend the power cords back beside the power receptacle housing, forming a tight loop, and install the strain-relief tie-wrap loosely around the looped power cords (see Figure 1-10).

Figure 1-10. Installing the Power Cord Strain Relief



Routing Cables

- 1 Attach the I/O cable connectors to their respective connectors on the system back.
For details on cable connections, see your system's *Installation and Troubleshooting Guide* and the *User's Guide*.


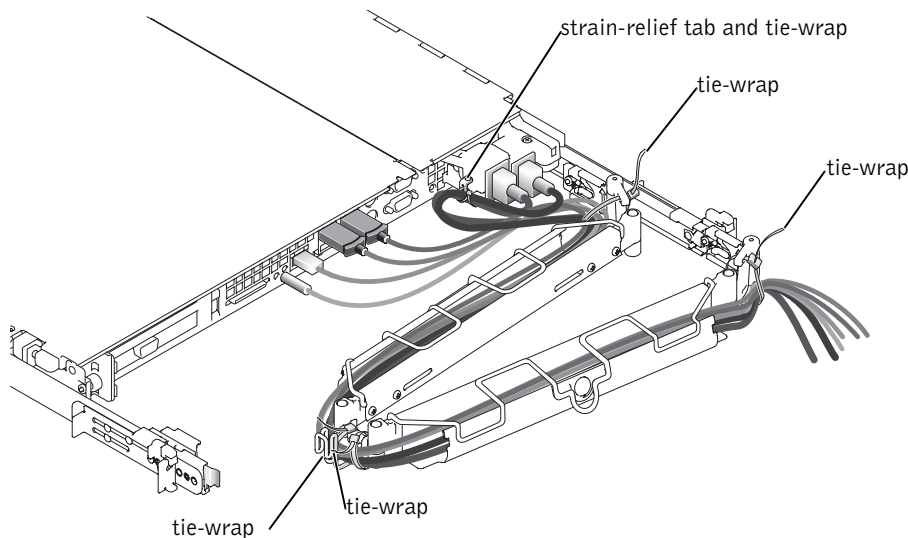

- 2 Route the power and I/O cables through the cable-management arm, using four loosely secured releasable tie wraps (two in the middle and on each end of the cable-management arm). Do not fully tighten the tie wraps at this time (see Figure 1-11).
Allow some cable slack in the cable-management arm to prevent damage to the cables.
 - 3 Secure the cables to the cable-management arm:
 - a After connecting the cables to the system, unscrew the thumbscrews that secure the front of the system to the front vertical rail.
 - b Slide the system forward to the fully extended position.
 - c Route the cables along the cable-management arm, make any adjustments to the cable slack at the hinge positions, and secure the cables to the cable-management arm with the releasable tie wraps and the wire covers over the cable-management arm.
-  **NOTE:** As you pull the system out to its furthest extension, the slide assemblies lock in the extended position. To push the system back into the rack, press the slide release latch on the side of the slide, and then slide the system completely into the rack.
- 4 Slide the system in and out of the rack to verify that the cables are routed correctly and do not bind, stretch, or pinch with the movement of the cable-management arm.
 - 5 Make any necessary adjustments to ensure that the cable slack is neither too tight nor too loose, yet keeps the cables in place as the system is moved in and out of the rack.

Figure 1-11. Routing Cables



Replacing the Rack Doors

Refer to the procedures for replacing doors in the documentation provided with your rack cabinet.


 **CAUTION: Because of the size and weight of the rack cabinet doors, never attempt to remove or install them by yourself.**

This completes the rack installation of your system in a four-post rack cabinet.

Two-Post Rack Installation

The two-post rack kit is used to install a system in a two-post, open-frame relay rack, such as those found in telecommunications equipment facilities. Both 3-inch and 6-inch wide two-post racks with universal hole spacing or wide hole spacing are accommodated. You can install this kit in a center-mount or a flush-mount configuration. The two-post kit incorporates slide assemblies which enable the system to be pulled out for servicing.

You must properly secure the two-post, open frame relay rack to the floor, the ceiling or upper wall, and where applicable, to adjacent racks, using floor and wall fasteners and bracing specified or approved by the rack manufacturer or by industry standards. See the two-post, open-frame relay rack manufacturer's installation documentation for precautionary warnings before attempting this installation.

 **CAUTION: Do not attempt to install the system into a two-post, open-frame relay rack that has not been securely anchored in place. Damage to the system and personal injury to yourself and to others may result.**

See "Safety Instructions" at the front of this document for additional safety information regarding rack installation.

Recommended Tools and Supplies

You need the following tools and supplies to install the system in a two-post relay rack:

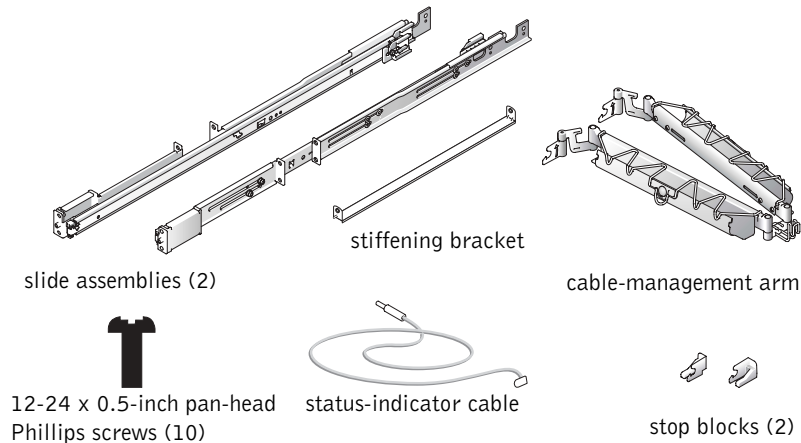
- #2 Phillips screwdriver
- 11/32-inch wrench or nut driver (if changing bracket to flush-mount configuration)
- Masking tape or felt-tip pen to mark the mounting holes

Rack Kit Contents

The two-post rack kit includes (see Figure 1-12):

- One pair of slide assemblies (two-post)
- One stiffening bracket
- One cable-management arm
- Two stop blocks
- One status-indicator cable assembly
- Ten 12-24 x 0.5-inch pan-head Phillips screws
- Releasable tie wraps (not shown in Figure 1-12)

Figure 1-12. Two-Post Rack Kit Components



Two-Post Rack Installation Tasks

Installing a two-post rack kit includes the following tasks in their numbered order:

- 1 Marking the rack
- 2 Installing the slide assemblies in the rack
 - Center-mount installation
 - Flush-mount installation
- 3 Installing the system in the rack

- 4 Installing the cable-management arm
- 5 Routing cables

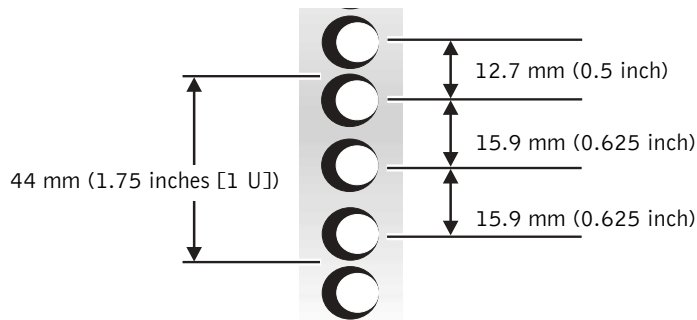
Marking the Rack

You must allow 1 U (44 mm or 1.75 inches) of vertical space for each system you install in the two-post rack.

Universal-Hole Spacing Racks

Industry-standard two-post racks with universal-hole spacing have an alternating pattern of three holes per U with center-to-center hole spacing (beginning at the top hole of a 1-U space) of 15.9 mm, 15.9 mm, and 12.7 mm (0.625 inch, 0.625 inch, and 0.5 inch) for the front and back vertical column of holes (see Figure 1-13).

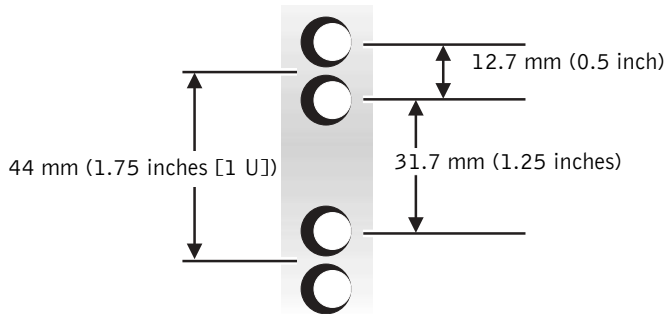
Figure 1-13. Two-Post, Open-Frame Relay Rack Universal-Hole Spacing



Wide-Hole Spacing Racks

Some two-post racks with wide-hole spacing have an alternating pattern of two holes per U with center-to-center hole spacing (beginning at the top hole of a 1-U space) of 31.7 mm and 12.7 mm (1.25 inches and 0.5 inch) for the vertical column of holes (see Figure 1-14).

Figure 1-14. Two-Post, Open-Frame Relay Rack Wide-Hole Spacing



To mark the rack, perform the following steps:

- 1 Place a mark on the rack's front vertical rails where you want to locate the bottom of the system you are installing in the two-post rack.

The bottom of each 1-U space is at the middle of the narrowest metal area between holes.

NOTE: If your rack has wide-hole spacing, go to step 3.

- 2 Place a mark 44 mm (1.75 inches) above the original mark you made (or count up three holes in a rack with universal-hole spacing) (see Figure 1-13).

Each 1 U (44 mm, or 1.75 inches) of vertical space on a rack with universal-hole spacing has three holes with center-to-center spacing between holes (beginning at the top of a 1-U space) of 0.625, 0.625, and 0.5 inch (see Figure 1-13).


NOTE: If your rack has universal-hole spacing, you have completed the procedure for marking the rack.

- 3 Place a mark 44 mm (1.75 inches) above the original mark you made (or count up to the next hole in the rack with wide-hole spacing (see Figure 1-14).

Each 1 U (44 mm, or 1.75 inches) of vertical space on a rack with wide-hole spacing has two holes with center-to-center spacing between holes (beginning at the top of a 1-U space) of 31.7 mm (1.25 inches) (see Figure 1-14).

Installing the Slide Assemblies in the Rack

You can install the slide assemblies in a two-post, open-frame rack having either universal-hole spacing (see Figure 1-13) or wide hole spacing (see Figure 1-14). You can install the 1-U slide assemblies in either a flush-mount or center-mount configuration.

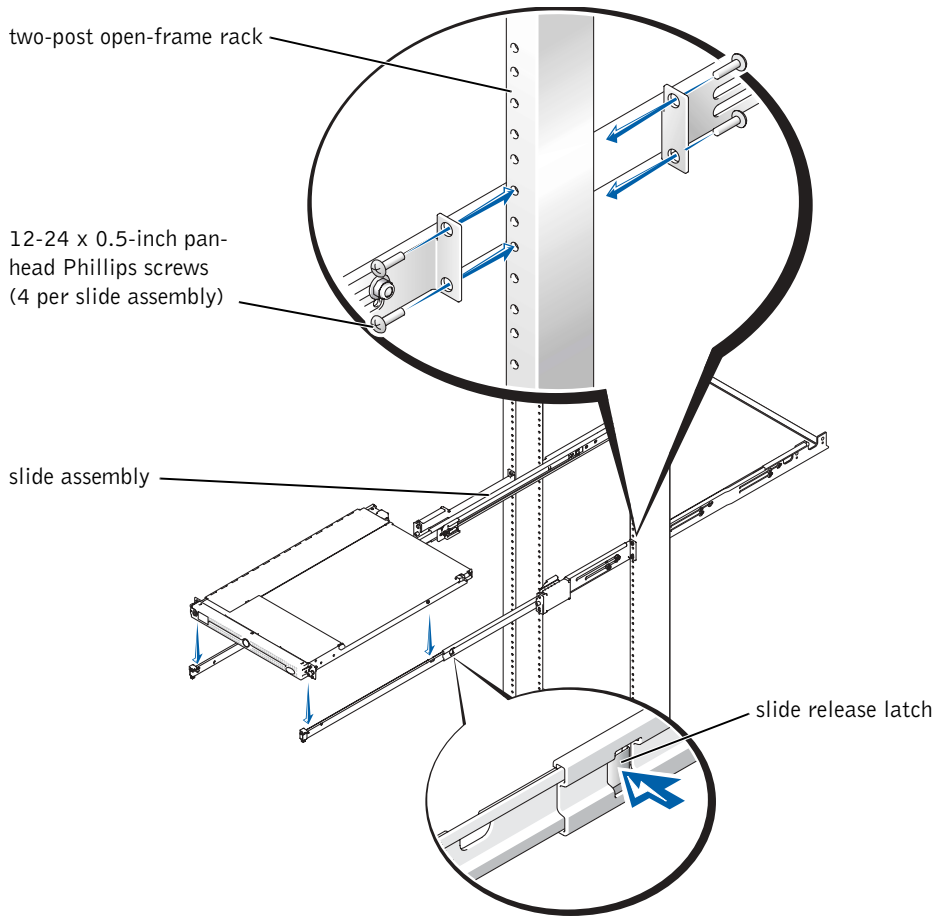
 **CAUTION: Do not install another system using this rack kit. Use only the rack kit intended for your system. Using the rack kit for another system may result in damage to the system and personal injury to yourself and to others.**

Center-Mount Installation

The two-post rack kit is shipped with the brackets configured for center-mount installation. To complete the installation, perform the following steps:

- 1** Locate the right slide assembly and push the back bracket towards the back of the slide assembly (see Figure 1-15).
- 2** Position the right slide assembly in the two-post rack at the location you marked, push the back bracket forward against the vertical two-post rack, and secure the front and rear center-mounting brackets to the rack with two 12-24 x 0.5-inch pan-head Phillips screws (see Figure 1-15).
- 3** Repeat steps 1 and 2 to install the left slide assembly in the rack.

Figure 1-15. Installing the Slide Assemblies for Center-Mount Configuration

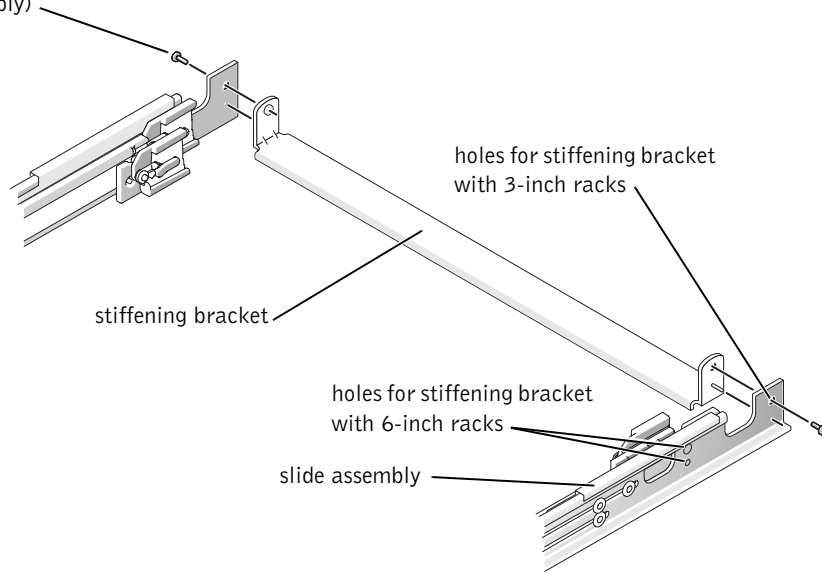


- 4 Install the stiffening bracket into the appropriate holes at the back of the slide assemblies and secure the bracket with a 12-24 x 0.5-inch pan-head Phillips screw on each slide assembly (see Figure 1-16).

If the vertical rack is 3 inches wide, use the holes at the back end of the slide assemblies (shown in Figure 1-16). If the vertical rack is 6 inches wide, use the holes located 3 inches in front of the holes at the back end of the slide assemblies.

Figure 1-16. Installing the Stiffening Bracket (shown in 3-inch rack position)

12-24 x 0.5-inch
pan-head Phillips
screw (1 per slide
assembly)



Flush-Mount Installation

The two-post rack kit is shipped configured for center-mount installation. To prepare the slide assemblies for flush-mount installation, perform the following steps:

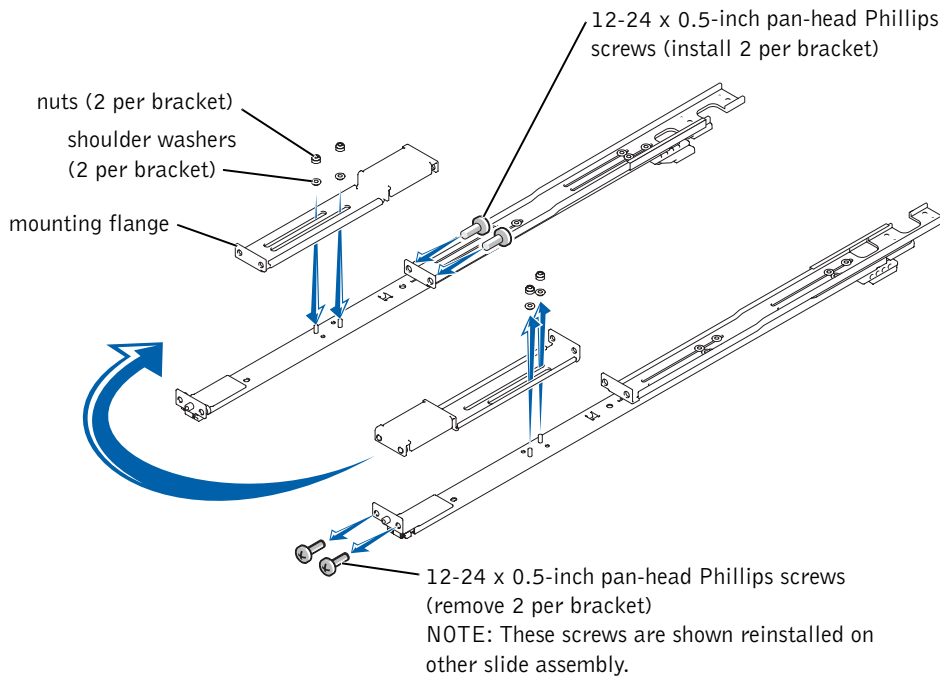
- 1 Locate the two slide assemblies and place them, side by side, on a smooth work surface, with the front ends of the slide assemblies toward you. Position both slide assemblies so that the center brackets are facing upward (see Figure 1-17).



NOTE: To prepare the slides for flush-mount installation, remove the front mounting bracket, rotate it 180 degrees, and reinstall it on the opposite slide assembly.

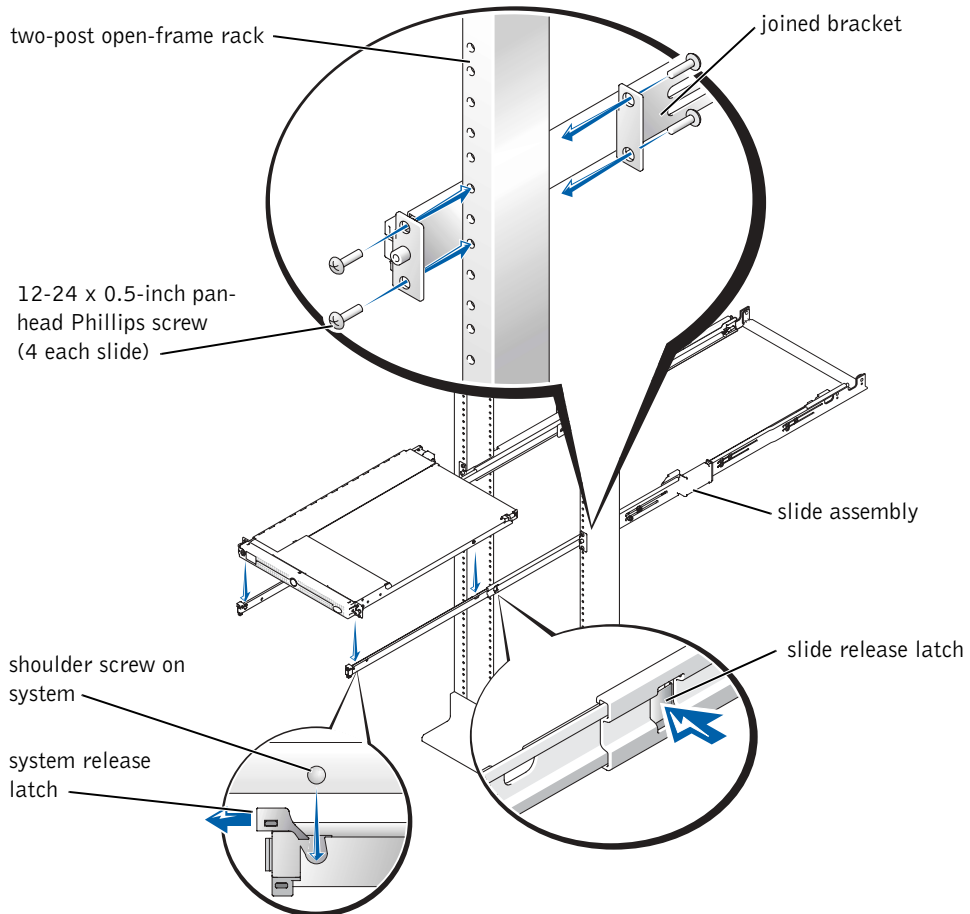
- 2 Using a #2 Phillips screwdriver and an 11/32-inch wrench or nut driver, remove two 12-24 x 0.5-inch pan-head Phillips screws, two nuts, and two shoulder washers from each front center bracket (see Figure 1-17).
- 3 Remove the front bracket from both slide assemblies.
- 4 Place the bracket from one slide assembly onto the threaded studs on the opposite slide assembly, with the bracket turned 180 degrees so that the mounting flange faces forward (see Figure 1-17).
- 5 Secure each front center mount bracket (by its nuts and shoulder washers) finger tight on their opposite slide assemblies using the two shoulder washers and two nuts you removed in step 2 (see Figure 1-17).
- 6 Join the front brackets you just installed to the bracket on the slide assembly with the two 12-24 x 0.5-inch pan-head Phillips screws you removed in step 2 (see Figure 1-17).
The joined bracket becomes the new extended rear bracket.
- 7 Repeat steps 4 through 6 to configure the other slide assembly.

Figure 1-17. Rotating the Front Mounting Bracket for Flush-Mount Installation



- 8 Holding the left slide assembly into position in the rack at the location you marked, adjust the extended rear bracket tightly against the back of the vertical two-post rack and secure it to the rail with two 12-24 x 0.5-inch Phillips screws (see Figure 1-18).

Figure 1-18. Installing the Slide Assemblies for Flush-Mount Configuration



- 9 Secure the front bracket on the slide assembly to the two-post rail with two 12-24 x 0.5-inch pan-head Phillips screws (see Figure 1-18).
- 10 Repeat step 8 and step 9 to install the right slide assembly in the rack.
- 11 Use an 11/32-inch wrench or nut driver to fully tighten the nuts on the mounting brackets on both slide assemblies that you tightened with your fingers.

- 12 Install the stiffening bracket into the appropriate holes at the back of the slide assemblies and secure the bracket with a 12-24 x 0.5-inch pan-head Phillips screw on each slide assembly (see Figure 1-16).

If the vertical rack is 3 inches wide, use the holes at the back end of the slide assemblies (shown in Figure 1-16). If the vertical rack is 6 inches wide, use the holes located 3 inches in front of the holes at the back end of the slide assemblies.

Installing the System in the Rack



CAUTION: Due to the size and weight of the system, never attempt to install the system by yourself.



NOTE: The procedure for installing a system into a rack is identical for flush-mounted and center-mounted support trays.

- 1 Pull the slides out to their fully extended position.



CAUTION: Because of the size and weight of the system, never attempt to install the system in the slide assemblies by yourself.

- 2 Remove the system front bezel:
 - a Unlock the keylock.
 - b Press the right- and left-end tabs.
 - c Pull the bezel away from the system.
- 3 Lift the system into position (see Figure 1-18).
- 4 Place one hand on the front-bottom of the system and the other hand on the back-bottom of the system.
- 5 Tilt the back of the system down while aligning the back shoulder screws on the sides of the system with the back slots on the slide assemblies.
- 6 Engage the back shoulder screws into their slots.
- 7 Lower the front of the system and engage the front shoulder screws in the front slot behind the system release latch (see Figure 1-18).

The system release latch will move forward and then snap back as the front shoulder screw passes into the front slot.

Use this system release latch when you wish to remove the system from the slide assemblies.

- 8 Press the slide release latch at the side of each slide and push the system completely into the rack (see Figure 1-18).
- 9 Push in and turn the captive thumbscrews on each side of the front chassis panel to secure the system to the rack.

Installing the Cable-Management Arm

See "Installing the Cable-Management Arm" in "Four-Post Rack Installation."

Routing Cables

See the procedure "Routing Cables" in "Four-Post Rack Installation."

You have completed the installation of the rack kit in a two-post rack.

Index

C

- cable-management arm
 - installing, 1-11, 1-26
 - routing cables, 1-15, 1-26
- cables
 - routing, 1-15, 1-26
- contents listed
 - RapidRails kit, 1-4
 - two-post kit, 1-17
 - VersaRails kit, 1-4

D

- doors
 - removing, 1-5
 - replacing, 1-16

F

- four-post kit
 - installing cable-management arm, 1-11
 - installing system, 1-10
 - marking rack, 1-6
 - RapidRails kit contents, 1-4
 - routing cables, 1-14
 - tools and supplies, 1-3
 - VersaRails kit contents, 1-4

I

- installing
 - cable-management arm, 1-11, 1-26
 - RapidRails slide assemblies, 1-7
 - stiffening bracket, 1-22
 - two-post slide assemblies, 1-19
 - VersaRails slide assemblies, 1-9
- installing system
 - four-post rack, 1-10
 - two-post rack, 1-25

K

- kit contents
 - RapidRails, 1-4
 - VersaRails, 1-5

M

- marking rack
 - two-post kit, 1-18
- marking the rack, 1-6

R

- rack mount precautions, 1-3
- rack requirements for VersaRails, 1-3
- rack unit, 1-6
- RapidRails kit contents, 1-4
- routing cables, 1-14, 1-26

S

- safety instructions, 1-1
- stiffening bracket, 1-22
- stop blocks, 1-4, 1-13, 1-17

T

- tools and supplies
 - four-post kit, 1-3
 - two-post kit, 1-16
- two-post kit
 - installing cable-management arm, 1-26
 - installing slide assemblies, 1-19
 - installing system, 1-25
 - marking rack, 1-18
 - tools and supplies, 1-16

V

VersaRails

- kit contents, 1-4, 1-5
- rack requirements, 1-3

VersaRails kit contents

- list of, 1-4

vertical rails


- marking, 1-6
- one rack unit, 1-6

Systemes Dell™


Guide d'installation du rack



Remarques, mises en garde et avertissements

 **REMARQUE** : UNE REMARQUE indique une information importante destinée à vous aider à mieux utiliser votre ordinateur.

 **MISE EN GARDE** : UNE MISE EN GARDE indique un dommage potentiel pouvant survenir (ou une perte de données) et vous dit comment éviter le problème.

 **ATTENTION** : Le message **ATTENTION** indique une situation potentiellement dangereuse qui, si elle n'est pas évitée, peut provoquer une détérioration du matériel ou des blessures pouvant entraîner la mort.

Les informations fournies dans ce document sont susceptibles d'être modifiées sans préavis.
© 2002 Dell Computer Corporation. Tous droits réservés.

La reproduction de ce document de quelque manière que ce soit sans l'autorisation écrite de Dell Computer Corporation est strictement interdite.

Marques déposées utilisées dans ce document : *Dell*, le logo *DELL*, *VersaRails* et *RapidRails* sont des marques de Dell Computer Corporation.

Tous les autres noms de marques et marques commerciales utilisés dans ce document se rapportent aux sociétés propriétaires des marques et des noms de ces produits. Dell Computer Corporation décline tout intérêt dans l'utilisation des marques déposées et des noms de marques ne lui appartenant pas.

Octobre 2002 Réf. 5X860 Rév. A00

Sommaire

ATTENTION : Instructions de sécurité	2-1
Montage en rack des systèmes	2-1
Instructions d'installation	2-2
Spécifications de rack requises pour les rails VersaRails	2-3
Installation d'un rack à quatre montants	2-3
Avant de commencer	2-3
Outils et fournitures recommandés	2-4
Contenu du kit du rack RapidRails	2-4
Contenu du kit du rack VersaRails	2-5
Tâches d'installation	2-6
Retrait des portes du rack	2-6
Marquage du rack	2-7
Installation des rails coulissants RapidRails.	2-8
Installation des rails coulissants VersaRails.	2-10
Installation du système dans le rack	2-11
Installation du bras de maintien des câbles	2-13
Routage des câbles	2-17
Remise en place des portes du rack	2-18
Installation d'un rack à deux montants	2-19
Outils et fournitures recommandés	2-19
Contenu du kit du rack	2-20
Tâches d'installation du rack à deux montants	2-20
Marquage du rack	2-21
Installation des rails coulissants dans le rack	2-23
Installation du système dans le rack	2-29
Installation du bras de maintien des câbles	2-30
Routage des câbles	2-30

Index

Figures

Figure 2-1.	Contenu du kit du rack RapidRails	2-5
Figure 2-2.	Contenu du kit du rack VersaRails	2-6
Figure 2-3.	Unité à un rack	2-7
Figure 2-4.	Marquage des rails verticaux	2-8
Figure 2-5.	Installation des rails coulissants RapidRails .	2-10
Figure 2-6.	Installation des rails coulissants VersaRails .	2-11
Figure 2-7.	Installation du système dans le rack (RapidRails ou VersaRails)	2-13
Figure 2-8.	Installation du bras de maintien des câbles .	2-14
Figure 2-9.	Ouverture des protège-câbles	2-16
Figure 2-10.	Installation du soulagement de traction du cordon d'alimentation	2-17
Figure 2-11.	Routage des câbles	2-18
Figure 2-12.	Composants du kit de rack à deux montants	2-20
Figure 2-13.	Espacement universel des trous sur un rack de relais à 2 montants avec châssis ouvert . . .	2-21
Figure 2-14.	Espacement large des trous sur un rack de relais à 2 montants avec châssis ouvert . . .	2-22
Figure 2-15.	Installation des rails coulissants pour une configuration à montage central	2-24
Figure 2-16.	Installation de la bride de maintien en position rigide (représentée dans sa position sur un rack 7,62 cm/3 pouces)	2-25
Figure 2-17.	Rotation du support de montage avant pour une installation à encastrement	2-27
Figure 2-18.	Installation des rails coulissants pour une configuration à encastrement	2-28


ATTENTION : Instructions de sécurité

Respectez les consignes de sécurité de ce guide pour assurer votre sécurité personnelle et pour contribuer à protéger votre système et votre environnement de travail des dommages potentiels. Pour obtenir des informations complètes sur la sécurité, reportez-vous au *Guide Informations sur le système*.


Montage en rack des systèmes

Pour la stabilité du rack et pour votre sécurité, respectez les précautions suivantes.


Les systèmes sont considérés comme des composants d'un rack. Ainsi, le terme « composant » fait référence à tout système aussi bien qu'aux différents périphériques ou matériels qui lui sont associés.

 **ATTENTION : L'installation de systèmes dans un rack sans placer de stabilisateurs avant et latéraux peut provoquer le basculement du rack, et comporte dans certaines situations un risque de blessures. C'est pourquoi il faut toujours installer les stabilisateurs avant d'installer les composants du rack.**

Après avoir installé le système/les composants dans un rack, ne tirez jamais plus d'un composant du rack sur les supports coulissants. Le poids représenté par plus d'un composant étendu pourrait en effet provoquer le basculement du rack et occasionner de graves blessures.

 **REMARQUE :** Votre système est certifié sur le plan de la sécurité en tant qu'unité autonome et en tant que composant destiné à être utilisé dans une armoire rack Dell, à l'aide du kit de rack client. L'installation du système et du kit de rack dans tout autre type de rack n'a reçu aucune homologation des organismes de certification de la sécurité. Il vous incombe de veiller à ce que la combinaison finale système/rack soit conforme à toutes les normes de sécurité en vigueur ainsi qu'aux normes électriques locales. Dell décline toute responsabilité et toutes garanties liées à ce type de combinaisons.

- Les kits de racks sont destinés à être installés dans un rack par des techniciens de maintenance expérimentés. Si vous installez ce kit dans tout autre rack, assurez-vous que celui-ci répond à toutes les spécifications d'un rack Dell.

 **ATTENTION : Ne déplacez pas seul les racks. En raison de la hauteur et du poids du rack, cette tâche doit être réalisée par deux personnes au minimum.**

- Avant de travailler sur le rack, assurez-vous que les stabilisateurs sont bien en place sur le rack et au sol, et que tout le poids du rack repose sur le sol. Installez les stabilisateurs avant et latéraux (pour un rack simple) ou les stabilisateurs avant (pour les racks multiples) avant de travailler sur le rack.

ATTENTION : Instructions de sécurité

- Chargez toujours le rack du bas vers le haut, en plaçant toujours la plus forte charge en premier.
- Assurez-vous que le rack est bien de niveau avant de sortir l'un des composants.
- Agissez avec précaution lorsque vous appuyez sur les verrous des rails pour les libérer et faire glisser un composant hors ou dans le rack. Les rails coulissants pourraient en effet vous coincer les doigts.
- Après avoir inséré un composant dans le rack, étendez le rail en position maximum jusqu'à son verrouillage puis faites glisser le composant dans le rack.
- Ne surchargez pas le circuit de dérivation CA qui alimente le rack en électricité. La charge totale du rack ne doit pas excéder 80 % de la puissance du circuit de dérivation.
- Assurez-vous que l'air circule suffisamment entre les composants du rack.
- Ne marchez ou ne montez jamais sur l'un des composants du système lors de l'entretien.

Instructions d'installation

Ce guide d'installation contient des instructions s'adressant à des techniciens de maintenance qualifiés et explique comment installer un ou plusieurs systèmes dans une armoire rack ou un rack de relais avec châssis ouvert. Le kit de rack RapidRails™ peut être installé sans outils dans toutes les armoires rack du fabricant du système ; le kit de rack VersaRails™ peut être installé dans la plupart des armoires rack conformes aux normes de l'industrie. Les procédures d'installation des kits de rack RapidRails et VersaRails sont les mêmes. Un kit de rack est nécessaire pour chaque système devant être installé dans l'armoire rack.

Ce guide comprend les procédures relatives aux kits de rack suivants :


- Kit RapidRails dans une armoire rack à quatre montants
- Kit VersaRails dans une armoire rack à quatre montants
- Kit à deux montants (installé dans une configuration à montage central ou à encastrement)

Pour faciliter le dépannage et connaître l'état général du système, ces kits de rack sont fournis avec un câble à voyant d'état qui transmet les informations des deux voyants d'état de couleur des panneaux avant et arrière vers l'arrière du bras de maintien des câbles. Pour plus d'informations sur ces voyants, reportez-vous au *Guide de l'utilisateur* de votre système.

Avant de commencer l'installation, lisez soigneusement ce document en entier.

 **ATTENTION : N'installez pas de composants de kit de rack prévus pour un autre système. Utilisez uniquement le kit de rack de votre système. Si vous employez le kit d'un autre système, vous risquez d'endommager le système et d'exposer autrui et vous-même à des risques de blessures.**

Spécifications de rack requises pour les rails VersaRails


 **MISE EN GARDE :** Le kit de rack VersaRails est prévu pour être installé par des techniciens de maintenance qualifiés dans un rack conforme aux spécifications des organismes suivants : American National Standards Institute (ANSI)/Electronic Industries Association (EIA) standard ANSI/EIA-310-D-92, International Electrotechnical Commission (IEC) 297, et Deutsche Industrie Norm (DIN) 41494. Un kit de rack est nécessaire pour chaque système installé dans le rack.


Installation d'un rack à quatre montants


Avant de commencer l'installation, lisez soigneusement cette procédure en entier.

Avant de commencer

Avant de commencer à installer votre système dans le rack, lisez les « *Instructions de sécurité* » au début de ce document, ainsi que les instructions de sécurité du document Informations sur le système qui vous fourniront des renseignements supplémentaires.


 **ATTENTION : Lorsque vous installez plusieurs systèmes dans un rack, exécutez toutes les procédures s'appliquant au système en cours avant d'essayer d'installer le système suivant.**

 **ATTENTION : Les armoires rack peuvent être extrêmement lourdes et leurs roulettes leur permettent de se déplacer facilement. Mais elles ne sont pas équipées de système de freinage. Procédez par conséquent avec la plus grande prudence pour déplacer l'armoire rack. Pensez à rentrer ses pieds de nivellement lorsque vous la changez d'emplacement. Evitez de la déplacer le long de rampes ou de plans inclinés trop longs ou trop abrupts, sur lesquels l'armoire pourrait vous échapper. Ressortez les pieds de nivellement lorsqu'il est nécessaire de soutenir l'armoire ou pour lui éviter de glisser sur ses roulettes.**

 **REMARQUE :** Pour savoir comment installer le système lui-même, reportez-vous à « Installation du système dans le rack » .

Informations importantes sur la sécurité

Observez les précautions de sécurité décrites dans les sous-sections suivantes lors de l'installation de votre système dans le rack.

 **ATTENTION :** Vous devez respecter à la lettre les procédures de ce document afin de garantir votre propre protection ainsi que celle d'autrui. Votre système peut être très lourd et volumineux. Une préparation et une planification adéquates sont donc importantes afin d'éviter tout risque de blessure pour vous-même ou autrui. Ces précautions sont d'autant plus importantes lorsque les systèmes sont installés très haut dans le rack.

Outils et fournitures recommandés

Les outils et fournitures suivants peuvent être nécessaires pour installer le système dans un rack à quatre montants :

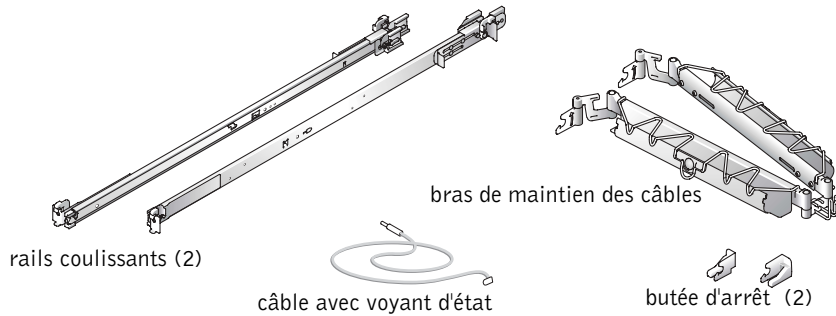
- Tournevis Phillips n°2
- Bande protectrice adhésive ou stylo feutre pour marquer les trous de montage à utiliser.

Contenu du kit du rack RapidRails

Le kit du rack RapidRapidRails comprend les éléments suivants (voir la Figure 2-1) :

- Une paire de rails coulissants RapidRails
- Un bras de maintien des câbles
- Deux butées d'arrêt (gauche et droite)
- Un câble avec voyant d'état
- Des fixe-câbles détachables (non représentés à la Figure 2-1)

Figure 2-1. Contenu du kit du rack RapidRails



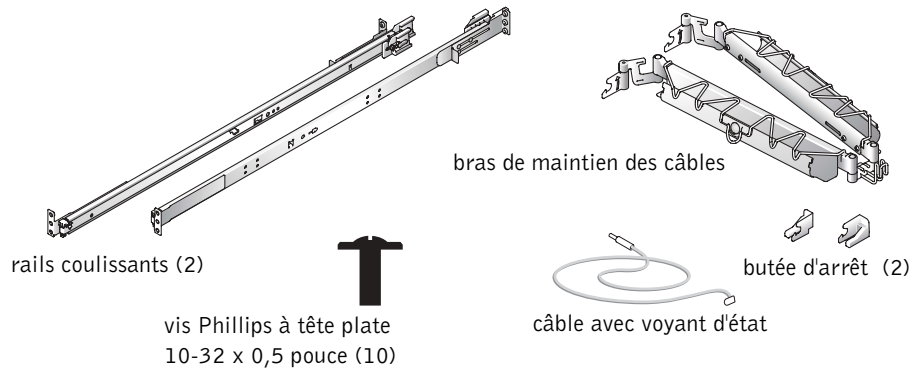
Contenu du kit du rack VersaRails

Le kit du rack VersaRapidRails comprend les éléments suivants (voir la Figure 2-2) :

- Une paire de rails coulissants VersaRails
- Un bras de maintien des câbles
- Deux butées d'arrêt (gauche et droite)
- Un câble avec voyant d'état
- Dix vis à tête Phillips 10-32 x 0,5 pouce
- Des fixe-câbles détachables (non représentés à la Figure 2-2)



REMARQUE : Les vis non métriques décrites dans les illustrations et dans les étapes des procédures sont identifiées par la taille et le nombre des filetages par pouce. Par exemple, une vis à tête Phillips n° 10 avec 32 filetages est désignée par l'appellation vis 10-32.

Figure 2-2. Contenu du kit du rack VersaRails

Tâches d'installation

Pour installer un kit de rack, vous devez effectuer les tâches suivantes dans l'ordre dans lequel elles sont indiquées :

- 1 Retrait des portes du rack
- 2 Marquage du rack
- 3 Installation des rails coulissants dans le rack
 - rails coulissants RapidRails
 - rails coulissants VersaRails
- 4 Installation du système dans le rack
- 5 Installation du bras de maintien des câbles
- 6 Routage des câbles
- 7 Remise en place des portes du rack

Retrait des portes du rack

Reportez-vous aux procédures de retrait des portes dans la documentation fournie avec votre armoire rack.

⚠ ATTENTION : Compte tenu du poids et de la taille des portes de l'armoire rack, ne déposez ou n'installez jamais les portes seul.

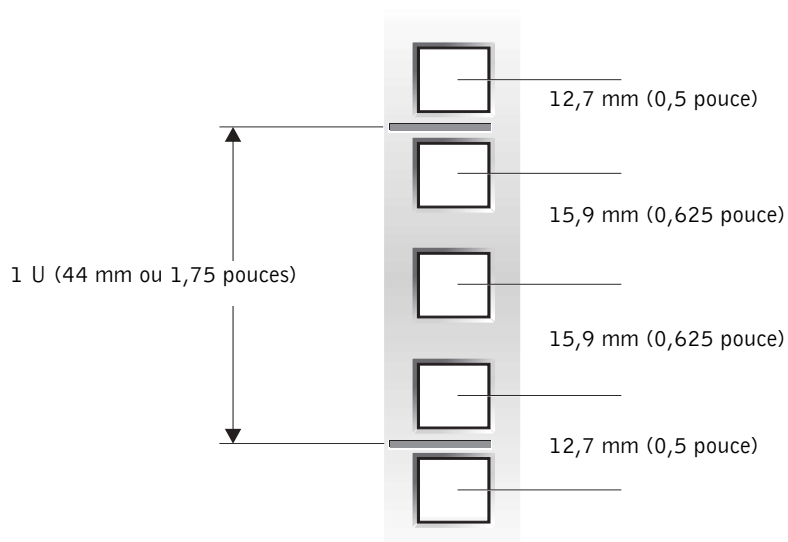
⚠ ATTENTION : Stockez les deux portes dans un endroit sûr où elles ne risquent pas de tomber accidentellement et de blesser quelqu'un.

Marquage du rack

Vous devez laisser un espace vertical de 1 U (44 millimètres ou 1,75 pouces) pour chaque système installé dans le rack. Les armoires rack conformes aux normes EIA-310 alternent un groupe de trois trous par U (unité). Les espacements entre chacun des trois trous, mesurés du centre d'un trou jusqu'au centre du trou suivant (en commençant par le trou supérieur d'un espace de 1 U) sont respectivement de 15,9 mm, 15,9 mm et 12,7 mm (0,625 pouce, 0,625 pouce et 0,5 pouce) pour les rails verticaux avant et arrière (voir la Figure 2-3). Les armoires rack peuvent comporter des trous ronds ou carrés.

REMARQUE : Les rails verticaux peuvent être marqués par des lignes horizontales et des chiffres progressant par incréments de 1 U. Si vous le souhaitez, vous pouvez noter le nombre figurant sur le rail vertical du rack. Il n'est pas nécessaire de marquer le rack ou d'y apposer de la bande adhésive. Si vous choisissez cette méthode, passez directement à la procédure « Installation des rails coulissants RapidRails ».

Figure 2-3. Unité à un rack



ATTENTION : Si vous installez plus d'un système, installez les rails coulissants de façon à ce que le premier système soit placé le plus bas possible dans le rack.

Pour marquer le rack, procédez comme suit :

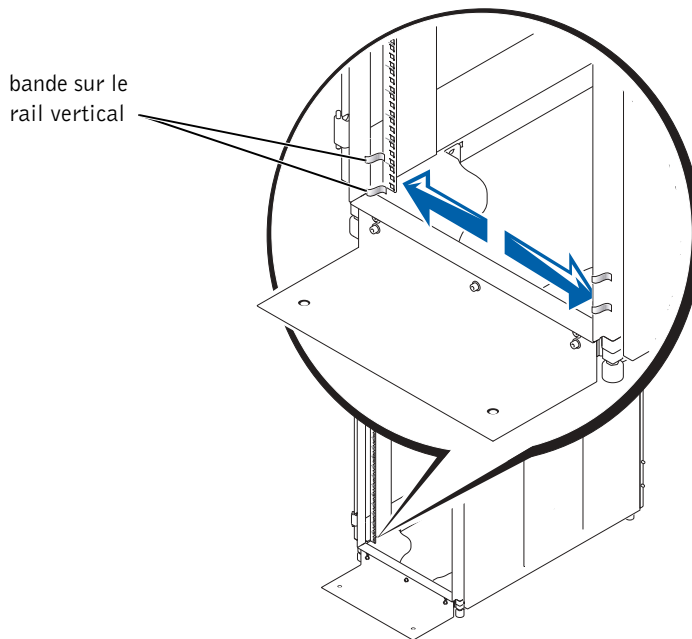
- 1 Placez une marque sur les rails verticaux avant du rack, à l'endroit correspondant au bas du système à installer dans l'armoire rack.

Le bas de chaque espace 1 U se trouve au milieu de la zone métallique la plus étroite située entre les trous (repérée par une ligne horizontale sur certaines armoires rack — voir la Figure 2-3).

- 2 Placez une marque à 44 mm (1,75 pouces) au-dessus de la marque originale que vous avez faite (ou comptez trois trous vers le haut dans les racks conformes aux normes EIA-310), puis marquez les rails verticaux avant du rack avec un stylo feutre ou de la bande protectrice adhésive (si vous avez compté les trous, placez une marque juste au-dessus du trou du haut).

Cette marque ou ce morceau de bande adhésive indique l'endroit où le rebord supérieur du système sera installé sur les rails verticaux (voir la Figure 2-4).

Figure 2-4. Marquage des rails verticaux

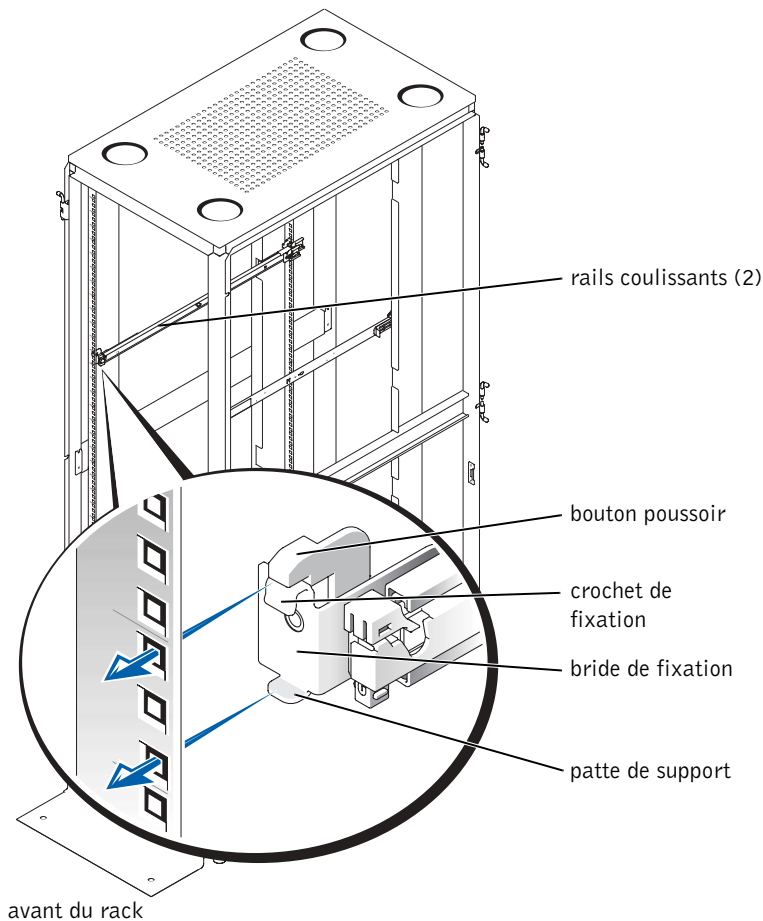


Installation des rails coulissants RapidRails

- 1 A l'avant de l'armoire rack, positionnez l'un des rails RapidRails de façon à ce que la bride de fixation soit située entre les marques (ou la bande adhésive) placées sur le rack (voir la Figure 2-5).

Le crochet de fixation sur la bride de fixation avant du rail coulissant doit pénétrer dans le trou supérieur situé entre les marques que vous avez faites sur les rails verticaux.

- 2** Poussez le rail coulissant vers l'avant jusqu'à ce que le crochet de fixation pénètre dans son trou carré sur le rail vertical, puis exercez une pression vers le bas sur la bride de fixation jusqu'à ce que les crochets de fixation s'enclenchent dans les trous carrés et que le bouton-poussoir ressorte et émette un déclic.
- 3** A l'arrière de l'armoire, tirez la bride de fixation vers l'arrière jusqu'à ce que les crochets de fixation soient positionnés dans leur trous carrés, puis exercez une pression vers le bas sur la bride de fixation jusqu'à ce que les crochets de fixation s'enclenchent dans les trous carrés et que le bouton-poussoir ressorte et émette un déclic.
- 4** Effectuez de nouveau les opérations des étapes de 1 à 3 pour le rail coulissant situé sur l'autre côté du rack.
- 5** Vérifiez que les rails sont montés à la même position sur les rails verticaux de chaque côté du rack.

Figure 2-5. Installation des rails coulissants RapidRails**Installation des rails coulissants VersaRails**

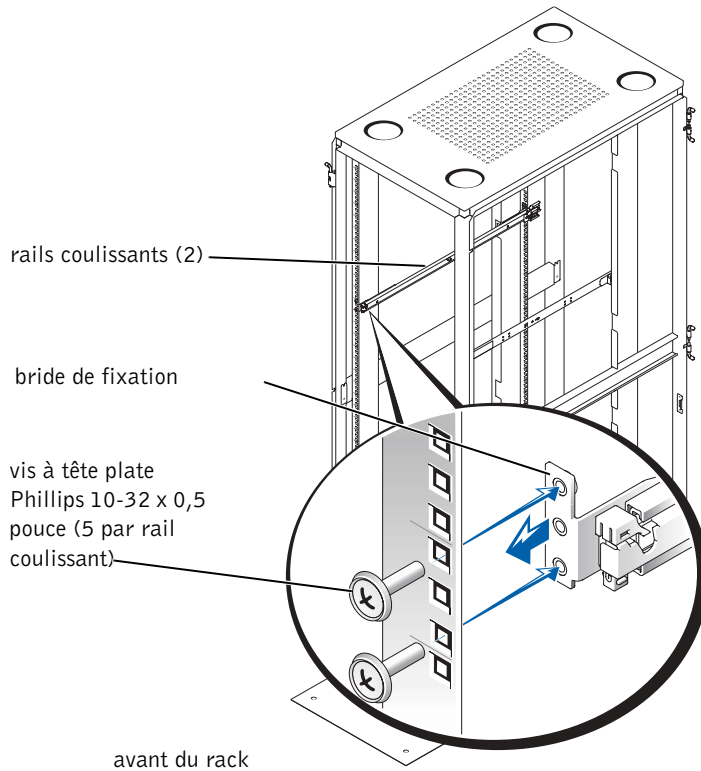
- 1 A l'avant de l'armoire rack, positionnez l'un des rails VersaRails de façon à ce que la bride de fixation soit située entre les marques ou la bande adhésive (ou l'emplacement numéroté) sur le rack (voir la Figure 2-6).

Les trois trous à l'avant de la bride de fixation doivent correspondre avec trois des trous entre les marques que vous avez effectuées sur le rail vertical avant.

- 2 Insérez deux vis Phillips à tête plate 10-32 x 0,5 pouce dans les trous du haut et du bas de la bride de fixation afin de fixer le rail coulissant au rail vertical avant (voir la Figure 2-6).

- 3 A l'arrière de l'armoire, tirez sur la bride de fixation jusqu'à ce que les trous de montage correspondent exactement à leurs trous respectifs sur le rail vertical arrière.
- 4 Insérez trois vis Phillips à tête plate 1-32 x 0,5 pouce dans les trous de la bride de fixation arrière afin de fixer le rail coulissant au rail vertical arrière.

Figure 2-6. Installation des rails coulissants VersaRails



- 5 Effectuez de nouveau les opérations de l'étape 1 à l'étape 4 pour le rail coulissant situé sur l'autre côté du rack.
- 6 Vérifiez que les rails coulissants sont montés à la même position sur les rails verticaux de chaque côté du rack.

Installation du système dans le rack

- ATTENTION** : Si vous installez plus d'un système, installez le premier système le plus bas possible dans le rack.
- ATTENTION** : Ne retirez jamais plus d'un composant du rack en même temps.

- 1 Tirez à fond les deux rails coulissants hors du rack jusqu'à ce qu'ils soient bloqués.



ATTENTION : En raison de la taille et du poids du système, ne tentez jamais de l'installer seul dans les rails coulissants.

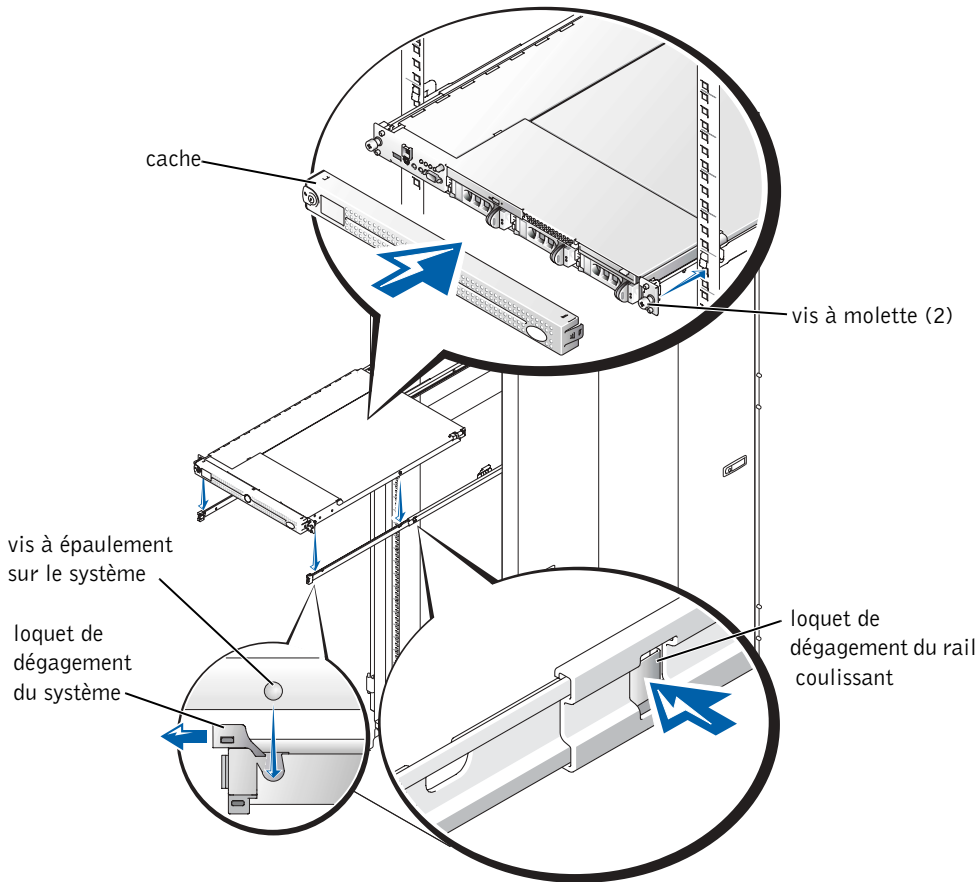
- 2 Retirez le cache avant du système :
 - a Ouvrez le verrou.
 - b Appuyez sur les pattes des extrémités gauche et droite.
 - c Dégagez le cache du système.
- 3 Soulevez le système pour le placer en bonne position à l'avant des rails coulissants étendus.
- 4 Placez une main sur la partie inférieure avant du système et l'autre main sur la partie inférieure arrière du système.
- 5 Inclinez l'arrière du système vers le bas tout en faisant correspondre les vis à épaulement arrière, sur les côtés du système, avec les fentes arrière des rails coulissants.
- 6 Engagez les vis à épaulement arrière dans leurs fentes.
- 7 Abaissez l'avant du système et engagez les vis à épaulement avant dans la fente avant, derrière le loquet de dégagement du système (voir la Figure 2-7).

Le loquet de dégagement du système avance puis recule lorsque la vis à épaulement pénètre dans la fente avant.

Utilisez ce loquet pour retirer le système des rails coulissants.

- 8 Appuyez sur le loquet de dégagement sur le côté de chaque rail pour faire glisser complètement le système dans le rack (voir la Figure 2-7).
- 9 Enfoncez et serrez les vis à molette captives situées de chaque côté du panneau du châssis avant pour fixer le système sur le rack.

Figure 2-7. Installation du système dans le rack (RapidRails ou VersaRails)



Installation du bras de maintien des câbles



MISE EN GARDE : Le bras de maintien des câbles peut être installé sur le côté droit ou gauche de l'armoire rack. Cette procédure explique comment installer le bras de maintien des câbles sur le côté droit de l'armoire rack, vue de l'arrière. Si vous installez plusieurs systèmes dans le rack, envisagez d'installer les bras de maintien des câbles sur les deux côtés du rack afin de faciliter le passage des câbles.

Pour installer le bras de maintien des câbles à l'arrière du système, procédez comme suit :

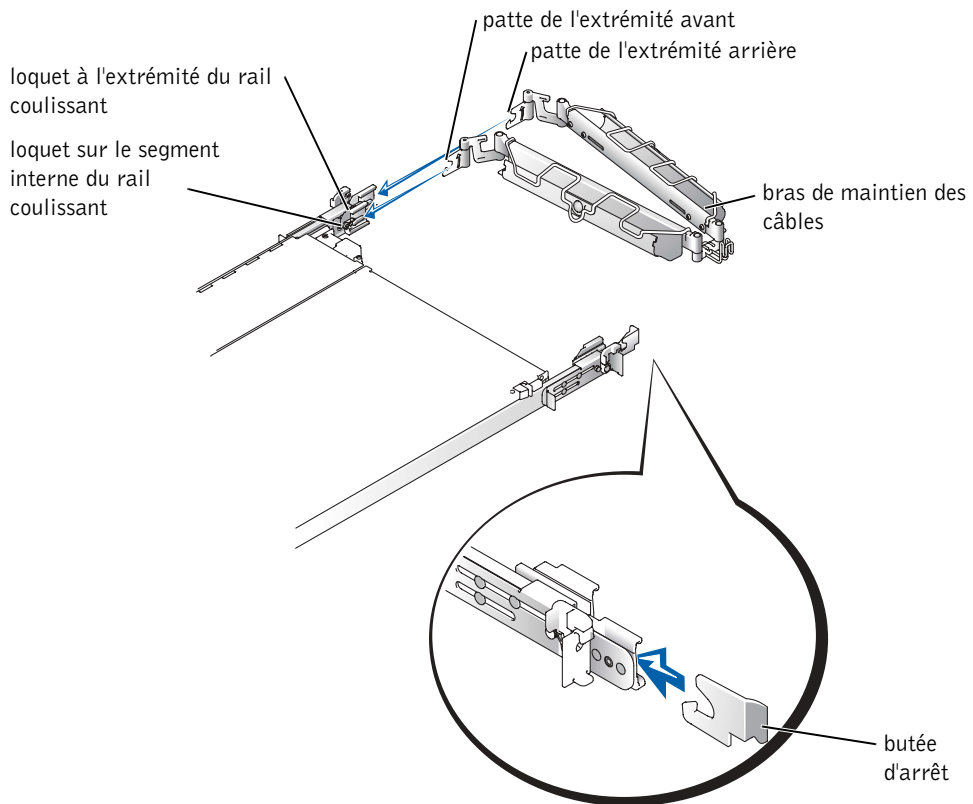
- 1 En vous plaçant face à l'arrière de l'armoire rack, repérez le loquet à l'extrémité du rail coulissant droit que vous avez fixé au rail vertical arrière.
- 2 Poussez la patte de l'extrémité gauche du bras de maintien des câbles pour la faire pénétrer dans le loquet à l'extrémité du rail coulissant (voir la Figure 2-8).

Le loquet émet un déclic lorsqu'il s'enclenche.

- 3 Poussez la patte de l'extrémité avant du bras de maintien des câbles pour la faire pénétrer dans le loquet correspondant sur le segment interne du rail coulissant (voir la Figure 2-8).

Le loquet émet un déclic lorsqu'il s'enclenche.

Figure 2-8. Installation du bras de maintien des câbles



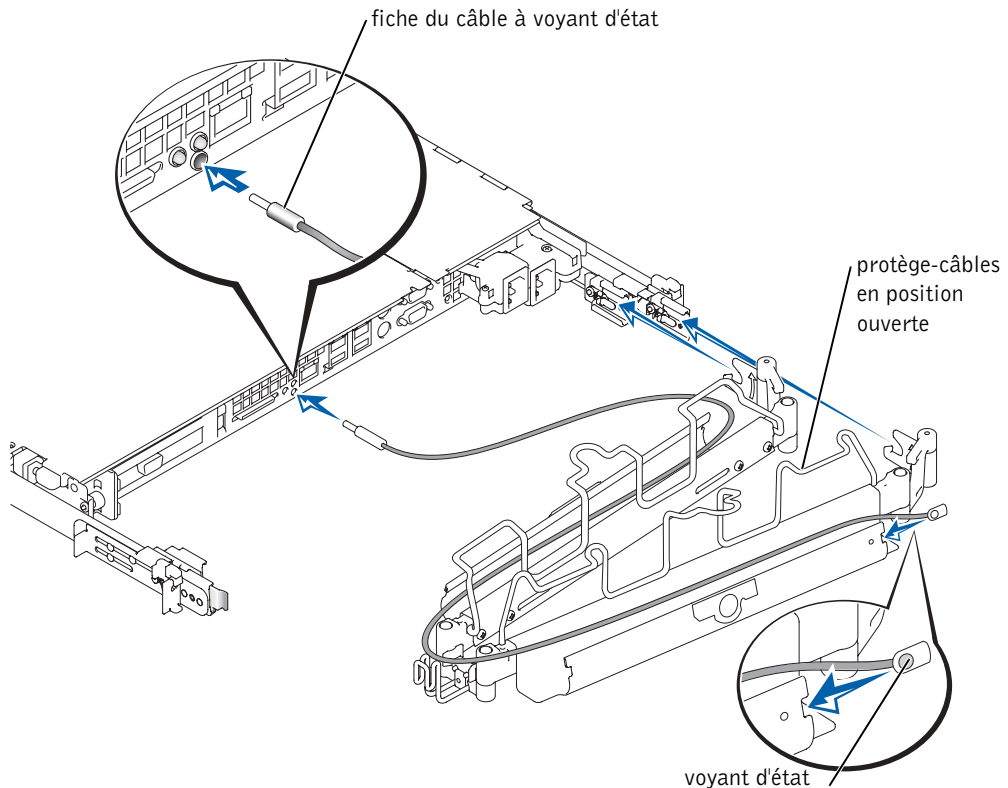
- 4 Installez une butée d'arrêt sur le loquet à l'extrémité du rail coulissant opposé (voir la Figure 2-8).

La butée d'arrêt empêche le bras de maintien des câbles de revenir vers l'arrière et supporte le poids du bras une fois les câbles montés sur celui-ci.

Le kit de rack est équipé de deux butées d'arrêt : une pour le montage du côté droit, une autre pour le montage du côté gauche. Vous pouvez uniquement installer la butée d'arrêt correspondant au type de montage choisi.

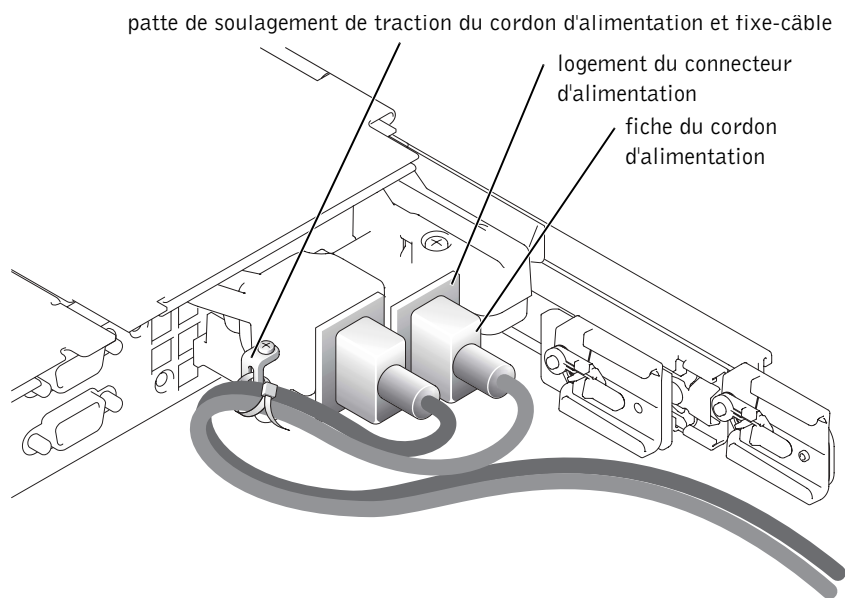
- 5 Insérez la fiche de terminaison du câble de voyant d'état dans son connecteur.
- 6 Dégagez les protège-câbles sur le bras de maintien en soulevant le centre du protège-câble au-dessus du bouton rond embouti sur le devant, sur la partie avant du bras, et au-dessus de l'autre bouton rond similaire, sur la partie arrière du bras.

Le protège-câble pivote et s'ouvre afin de permettre le passage des câbles dans le bras.

Figure 2-9. Ouverture des protège-câbles

- 7 Faites passer l'extrémité du câble à voyant d'état dans le bras de maintien des câbles, puis installez le voyant dans sa fente sur l'extrémité arrière du bras (voir la Figure 2-9).
- 8 Branchez les cordons d'alimentation sur leurs connecteurs sur le panneau arrière.
- ⚠ **MISE EN GARDE :** Le support de soulagement de traction permet d'installer des cordons d'alimentation ayant un rayon de courbure atteignant jusqu'à 19 millimètres (0,75 pouces), mais le fabricant du système conseille d'utiliser uniquement les cordons d'alimentation fournis avec le système.
- 9 Faites passer un fixe-câble par la fente de la patte de soulagement de traction (voir la Figure 2-10).
- 10 Repliez les cordons d'alimentation à côté du connecteur d'alimentation et formez une boucle serrée. Placez le fixe-câble du soulagement de traction de façon lâche autour des cordons d'alimentation rangés en boucle (voir la Figure 2-10).

Figure 2-10. Installation du soulagement de traction du cordon d'alimentation



ROUTAGE DES CÂBLES

- 1** Fixez les connecteurs des câbles d'entrée et de sortie (E/S) sur leurs connecteurs respectifs à l'arrière du système.

Pour obtenir plus de détails sur les connexions des câbles, reportez-vous au *Guide d'installation et de dépannage* et au *Guide de l'utilisateur*.

- 2** Faites passer le cordon d'alimentation et les câbles d'E/S dans le bras de maintien des câbles, à l'aide de quatre fixe-câbles détachables fixés de façon lâche (deux au centre et à chaque extrémité du bras de maintien des câbles). Ne resserrez pas encore à fond les fixe-câbles à ce stade (voir la Figure 2-11).

Laissez un peu de mou au niveau des câbles sur le bras de maintien afin d'éviter de les endommager.

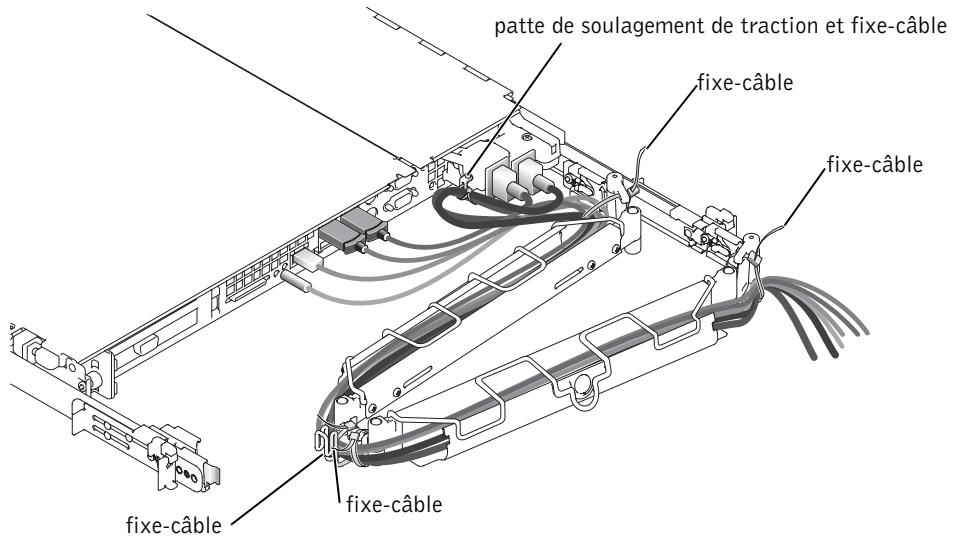
- 3** Fixez les câbles sur le bras de maintien des câbles.
 - a** Après avoir connecté les câbles au système, dévissez les vis à molette fixant l'avant du système au rail vertical avant.
 - b** Faites glisser le système vers l'avant en position étendue maximale.

- c Faites passer les câbles le long du bras de maintien, réglez le mou des câbles au niveau des charnières, puis fixez les câbles au bras de maintien des câbles à l'aide des fixe-câbles détachables et des protège-câbles sur le bras de maintien des câbles.

REMARQUE : Lorsque vous tirez le système à fond vers l'extérieur, les rails coulissants vont se bloquer dans cette position. Pour replacer le système dans le rack, appuyez sur le loquet de dégagement situé sur le côté du rail coulissant, puis faites glisser le système complètement dans le rack.

- 4 Faites glisser le système dans et hors du rack pour vérifier que les câbles sont installés correctement et ne se bloquent pas, ne se tendent pas et ne se coincent pas lors du déplacement du bras de maintien des câbles.
- 5 Apportez les modifications nécessaires pour que les câbles aient un mou suffisant, ni trop tendu ni trop lâche, permettant de maintenir le câble en place lors de l'introduction et de l'extraction du système dans le rack.

Figure 2-11. Routage des câbles



Remise en place des portes du rack

Reportez-vous aux procédures de remise en place des portes dans la documentation fournie avec le rack.

⚠ ATTENTION : Compte tenu du poids et de la taille des portes de l'armoire rack, ne déposez ou n'installez jamais les portes seul.

L'installation de votre système dans une armoire en rack à quatre montants est maintenant terminée.

Installation d'un rack à deux montants

Le kit du rack à deux montants permet d'installer un système dans un rack de relais à deux montants et à châssis ouvert, qui est couramment utilisé en télécommunications. Les racks à deux montants de 3 et 6 pouces de large avec un espacement des trous universel ou large sont utilisables. Vous pouvez installer ce kit dans une configuration à montage central ou à encastrement. Ce kit à deux montants comprend des rails coulissants permettant d'extraire le système lorsque des opérations de maintenance sont requises.

Le rack de relais à deux montants et châssis ouvert doit être correctement fixé au sol, au plafond ou au mur supérieur, et le cas échéant, aux racks adjacents, à l'aide de fixations et de renforts au sol et muraux, recommandés ou agréés par le fabricant du rack ou par les normes de l'industrie. Consultez la documentation d'installation fournie par le fabricant du rack de relais à deux montants avec châssis ouvert pour connaître les mises en gardes à respecter avant de démarrer l'installation.



ATTENTION : N'essayez pas d'installer ce système dans un rack de relais à deux montants avec châssis ouvert n'ayant pas été ancré solidement en place. Vous risqueriez d'endommager le système, de vous blesser ou de blesser d'autres personnes.

Reportez-vous aux « Instructions de sécurité » au début de ce document pour connaître les informations de sécurité supplémentaires relatives à l'installation du rack.

Outils et fournitures recommandés

Les outils et fournitures suivants peuvent être nécessaires pour installer le système dans un rack de relais à deux montants :

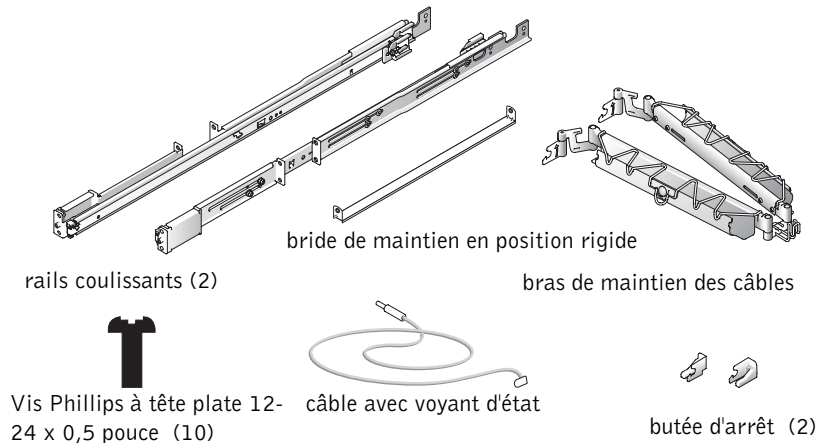
- Tournevis Phillips n°2
- Clé 11/32 pouces ou clé à pipe (si vous changez le support pour une configuration à encastrement)
- De la bande adhésive ou un stylo feutre pour marquer les trous de montage à utiliser

Contenu du kit du rack

Le kit du rack à deux montants comprend (voir la Figure 2-12) :

- Une paire de rails coulissants (deux montants)
- Une bride de maintien en position rigide
- Un bras de maintien des câbles
- Deux butées d'arrêt
- Un câble avec voyant d'état
- Dix vis à tête plate Phillips 12-24 x 0,5 pouce
- Des fixe-câbles détachables (non représentés à la Figure 2-12)

Figure 2-12. Composants du kit de rack à deux montants



Tâches d'installation du rack à deux montants

Pour installer un kit de rack à deux montants, vous devez effectuer les tâches suivantes dans l'ordre dans lequel elles sont indiquées :

- 1 Marquage du rack
- 2 Installation des rails coulissants dans le rack
 - Installation à montage central
 - Installation à encastrement
- 3 Installation du système dans le rack

- 4 Installation du bras de maintien des câbles
- 5 Routage des câbles

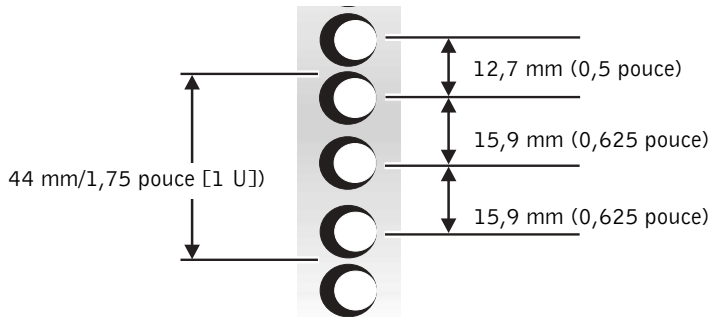
Marquage du rack

Vous devez laisser un espace vertical de 1 U (44 mm ou 1,75 pouces) pour chaque système installé dans le rack à deux montants.

Racks à espacement universel des trous

Les rack à deux montants conformes aux normes de l'industrie et présentant un espacement universel des trous alternent un groupe de trois trous par U (unité). Les espacements entre chacun des trois trous, mesurés du centre d'un trou jusqu'au centre du trou suivant (en commençant par le trou supérieur d'un espace de 1 U) sont respectivement de 15,9 mm, 15,9 mm et 12,7 mm (0,625 pouce, 0,625 pouce et 0,5 pouce) pour la colonne verticale avant et arrière des trous (voir la Figure 2-13).

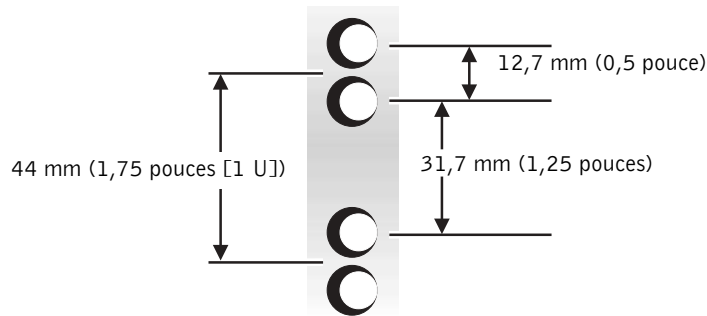
Figure 2-13. Espacement universel des trous sur un rack de relais à 2 montants avec châssis ouvert



Racks à espacement large des trous

Certains rack à deux montants conformes aux normes de l'industrie et présentant un espacement large des trous alternent un groupe de deux trous par U (unité). Les espacements entre chacun des deux trous, mesurés du centre d'un trou jusqu'au centre du trou suivant (en commençant par le trou supérieur d'un espace de 1 U) sont respectivement de 31,7 mm et 12,7 mm (1,25 pouces et 0,5 pouce) pour la colonne verticale des trous (voir la Figure 2-14).

Figure 2-14. Espacement large des trous sur un rack de relais à 2 montants avec châssis ouvert



Pour marquer le rack, procédez comme suit :

- 1 Placez une marque sur les rails verticaux avant du rack, à l'endroit correspondant au bas du système à installer dans le rack à deux montants.

La partie inférieure de chaque espacement de 1 U se trouve au centre de la zone métallique la plus étroite entre les trous.

REMARQUE : Si votre rack est doté d'un espacement large entre les trous, passez à l'étape 3.

- 2 Placez une marque à 44 mm (1,75 pouces) au-dessus de la marque originale que vous avez faite (ou comptez jusqu'à six trous dans un rack doté d'un espacement universel des trous) (voir la Figure 2-13).

Chaque unité 1 U (soit 44 millimètres ou 1,75 pouces) d'espace vertical dans un rack à espacement universel des trous comporte trois trous. Les espacements entre chacun des trois trous, mesurés du centre d'un trou jusqu'au centre du trou suivant (en commençant par le trou supérieur d'un espace de 1 U) sont respectivement de 15,9 mm, 15,9 mm et 12,7 mm (0,625 pouce, 0,625 pouce et 0,5 pouce) (voir la Figure 2-13).


REMARQUE : Si votre rack présente un espacement universel des trous, la procédure de marquage est maintenant terminée.

- 3 Placez une marque à 44 mm (1,75 pouces) au-dessus de la marque originale que vous avez faite (ou comptez jusqu'au trou suivant dans un rack doté d'un espacement universel des trous) (voir la Figure 2-14).

Chaque unité 1 U (soit 44 millimètres ou 1,75 pouces) d'espace vertical dans un rack à espacement universel des trous comporte deux trous. Les espacements entre chacun des trois trous, mesurés du centre d'un trou jusqu'au centre du trou suivant (en commençant par la partie supérieure d'un espace de 1 U) de 31,7 mm (1,25 pouces) (voir la Figure 2-14).

Installation des rails coulissants dans le rack

Vous pouvez installer les rails coulissants dans un rack à deux montants à châssis ouvert doté d'un espacement universel des trous (voir la Figure 2-13) ou d'un espacement large des trous (voir la Figure 2-14). Vous pouvez installer les rails coulissants 1 U dans une configuration à encastrement ou à montage central.

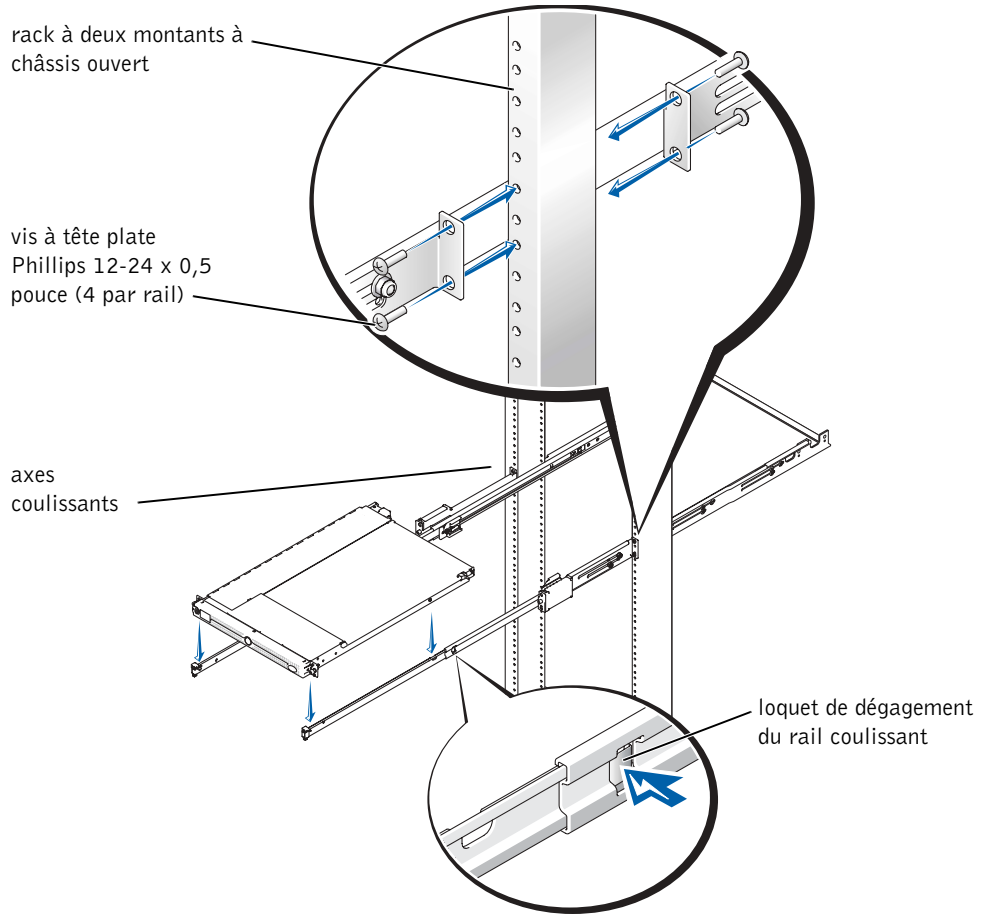
 **ATTENTION : N'installez pas d'autre système avec ce kit de rack. Utilisez uniquement le kit de rack prévu pour votre système. Si vous employez le kit d'un autre système, vous risquez d'endommager le système et d'exposer autrui et vous-même à des risques de blessures.**

Installation à montage central

Le kit de rack à deux montants est fourni avec des supports configurés pour une installation à montage central. Pour terminer l'installation, procédez comme suit :

- 1 Repérez le rail coulissant droit et poussez le support arrière vers l'arrière du rail coulissant (voir la Figure 2-15).
- 2 Positionnez le rail coulissant droit dans le rack à deux montants à l'emplacement que vous avez marqué, poussez le support arrière vers l'avant contre le rack vertical à deux montants, puis fixez les supports avant et arrière de montage central au rack à l'aide de deux vis Phillips 12x24 x 0,5 pouce (voir la Figure 2-15).
- 3 Répétez les étapes 1 et 2 pour installer le rail coulissant gauche dans le rack.

Figure 2-15. Installation des rails coulissants pour une configuration à montage central

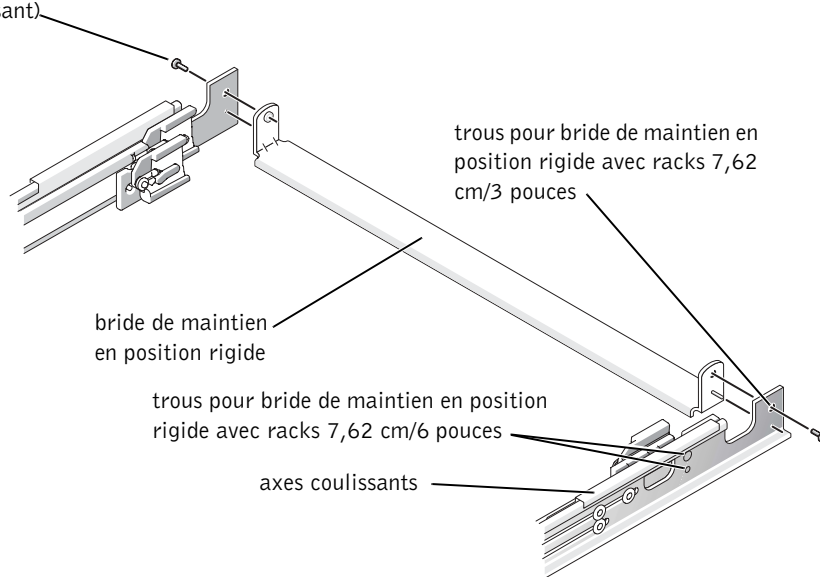


- 4 Installez la bride de maintien en position rigide dans les trous correspondants à l'arrière des rails coulissants et fixez la bride avec une vis Phillips 12-24 x 0,5 pouce sur chaque rail coulissant (voir la Figure 2-16).

Si le rack vertical a une largeur de 7,62 cm (3 pouces), utilisez les trous situés sur l'extrémité arrière des rails coulissants (représentés à la Figure 2-16). Si le rack vertical a une largeur de 15,24 cm (6 pouces), utilisez les trous situés à 7,62 cm (3 pouces) à l'avant des trous situés sur l'extrémité arrière des rails coulissants.

Figure 2-16. Installation de la bride de maintien en position rigide (représentée dans sa position sur un rack 7,62 cm/3 pouces)

vis à tête plate
Phillips 12-24 x 0,5
pouce (1 par axe
coulissant)



Installation à encastrement

Le kit de rack à deux montants est fourni configuré pour une installation à montage central. Pour préparer les rails coulissants pour une installation à encastrement, procédez comme suit :

- 1 Repérez les deux rails coulissants et placez-les côte à côte sur une surface de travail lisse, en orientant les extrémités avant des rails vers vous. Positionnez les deux rails coulissants de façon à ce que les supports centraux soient orientés vers le haut (voir la Figure 2-17).



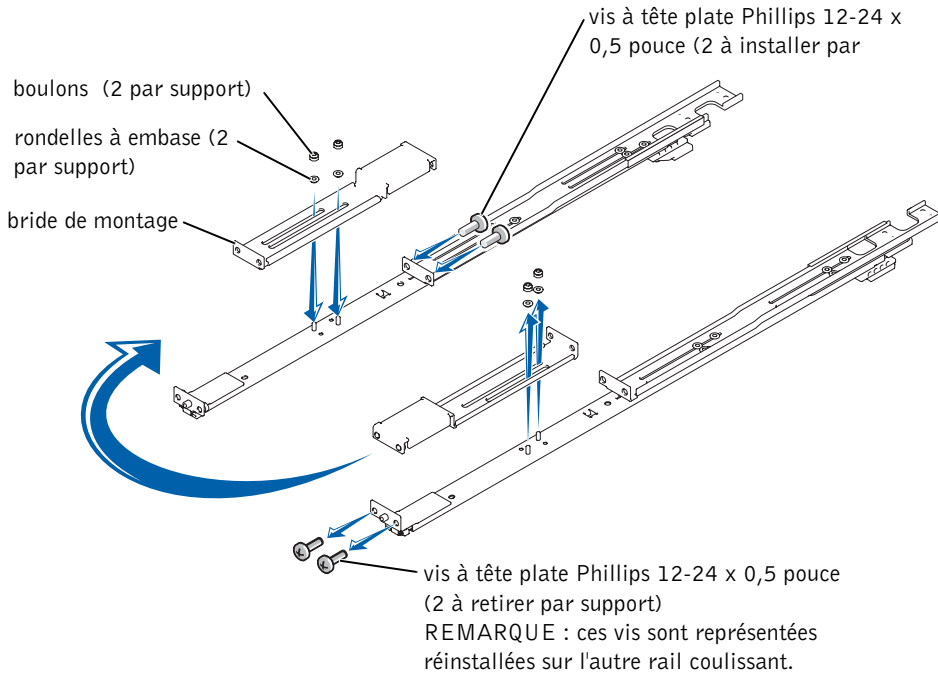
REMARQUE : Pour préparer les rails coulissants pour une installation à encastrement, retirez le support de montage avant, faites-le pivoter de 180 degrés, puis réinstallez-le sur le rail coulissant opposé.

- 2 A l'aide d'un tournevis Phillips n° 2 et d'une clé 11/32 pouces ou d'une clé à pipe, retirez deux vis Phillips 12-24 x 0,5 pouce, deux boulons et deux rondelles à embase de chaque support central avant (voir la Figure 2-17).
- 3 Retirez le support avant des deux rails coulissants.
- 4 Placez le support d'un rail coulissant sur les goujons filetés du rail opposé, en ayant fait pivoter le support de 180 degrés afin d'orienter face vers l'avant la bride de montage (voir la Figure 2-17).
- 5 Resserrez à la main chaque support de montage central avant (à l'aide de ses boulons et de ses rondelles à embase) sur leur côté opposé à l'aide des deux rondelles à embase et des deux boulons que vous avez retirés à l'étape 2 (voir la Figure 2-17).
- 6 Assemblez les supports avant que vous venez d'installer sur le support du rail coulissant avec les deux vis à tête Philips 12-24 x 0,5 pouce que vous avez retirées à l'étape 2 (voir la Figure 2-17).

Le support ainsi assemblé devient le nouveau support arrière étendu.

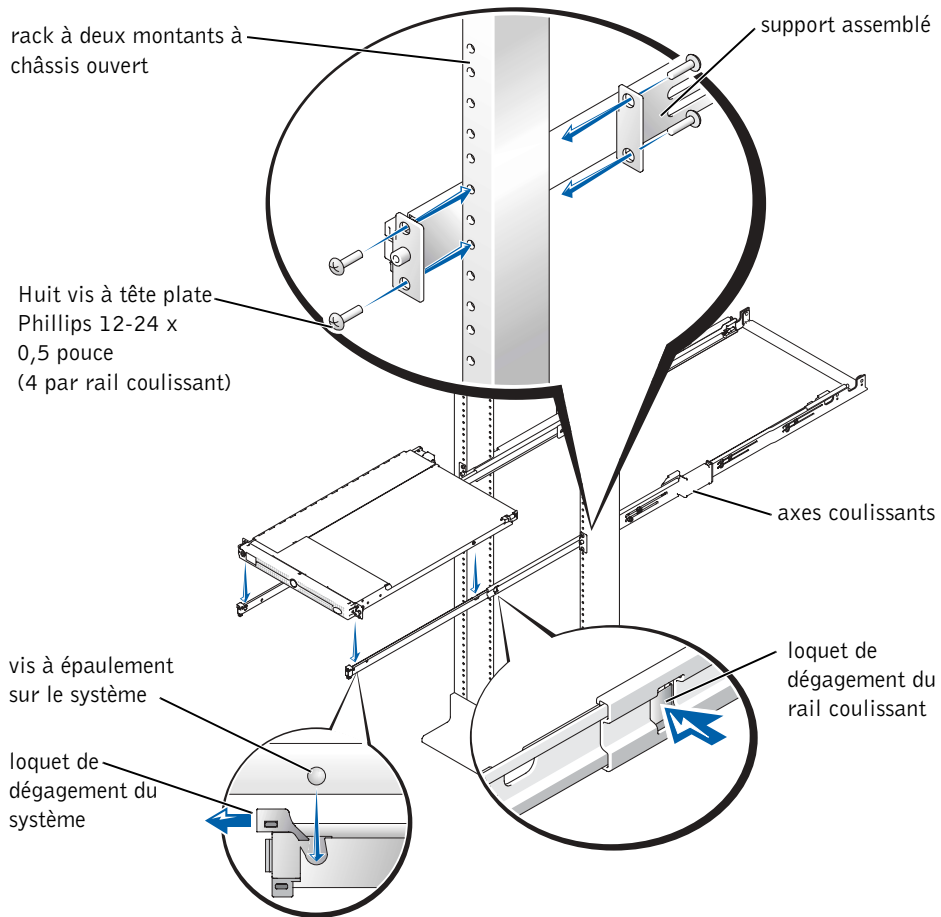
- 7 Répétez les étapes 4 à 6 pour configurer l'autre rail coulissant.

Figure 2-17. Rotation du support de montage avant pour une installation à encastrement



- 8 En maintenant le rail coulissant gauche à l'emplacement que vous avez marqué dans le rack à deux montants, effectuez un réglage serré du support arrière étendu contre l'arrière du rack vertical à deux montants, et fixez-le au rail à deux montants à l'aide de deux vis à tête Phillips 12-24 x 0,5 pouce (voir la Figure 2-18).

Figure 2-18. Installation des rails coulissants pour une configuration à encastrage



- 9** Fixez le support avant du rail coulissant sur le rail à deux montants avec deux vis à tête Phillips 12-24 x 0,5 pouce (voir la Figure 2-18).
- 10** Exécutez les opérations de l'étape 8 à l'étape 9 pour installer le rail coulissant droit dans le rack.
- 11** A l'aide d'une clé 11/32 pouce ou d'une clé à pipe, resserrez à fond les boulons que vous aviez serrés à la main sur les supports de montage des deux rails coulissants.

- 12 Installez la bride de maintien en position rigide dans les trous correspondants à l'arrière des rails coulissants et fixez la bride avec une vis Phillips 12-24 x 0,5 pouce sur chaque rail coulissant (voir la Figure 2-16).

Si le rack vertical a une largeur de 7,62 cm (3 pouces), utilisez les trous situés sur l'extrémité arrière des rails coulissants (représentés à la Figure 2-16). Si le rack vertical a une largeur de 15,24 cm (6 pouces), utilisez les trous situés à 7,62 cm (3 pouces) à l'avant des trous situés sur l'extrémité arrière des rails coulissants.

Installation du système dans le rack



ATTENTION : En raison de la taille et du poids du système, ne tentez jamais de l'installer seul.



REMARQUE : La procédure d'installation d'un système dans un rack est identique à celle des plateaux à encastrement ou à montage central.

- 1 Tirez à fond les rails coulissants vers l'extérieur.



ATTENTION : En raison de la taille et du poids du système, ne tentez jamais de l'installer seul dans les rails coulissants.

- 2 Retirez le cache avant du système :
 - a Ouvrez le verrou.
 - b Appuyez sur les pattes des extrémités gauche et droite.
 - c Dégagez le cache du système.
- 3 Soulevez le système pour le placer en bonne position (voir la Figure 2-18).
- 4 Placez une main sur la partie inférieure avant du système et l'autre main sur la partie inférieure arrière du système.
- 5 Inclinez l'arrière du système vers le bas tout en faisant correspondre les vis à épaulement arrière, sur les côtés du système, avec les fentes arrière des rails coulissants.
- 6 Engagez les vis à épaulement arrière dans leurs fentes.
- 7 Abaissez l'avant du système et engagez les vis à épaulement avant dans la fente avant, derrière le loquet de dégagement du système (voir la Figure 2-18).

Le loquet de dégagement du système avance puis recule lorsque la vis à épaulement avant pénètre dans la fente avant.

Utilisez ce loquet pour retirer le système des rails coulissants.

- 8 Appuyez sur le loquet de dégagement sur le côté de chaque rail pour faire glisser complètement le système dans le rack (voir la Figure 2-18).
- 9 Enfoncez et serrez les vis à molette captives situées de chaque côté du panneau du châssis avant pour fixer le système sur le rack.

Installation du bras de maintien des câbles

Reportez-vous à « Installation du bras de maintien des câbles » dans « Installation d'un kit du rack à quatre montants ».

Routage des câbles

Reportez-vous à la procédure « Routage des câbles » dans « Installation d'un kit du rack à quatre montants ».

Vous avez maintenant terminé l'installation du kit de rack dans un rack à deux montants.

Index

B

- bras de maintien des câbles
 - installation, 2-13, 2-30
 - routage des câbles, 2-18, 2-30
- bride de maintien en position rigide, 2-25
- butées d'arrêt, 2-4, 2-5, 2-15, 2-20

C

- câbles
 - routage, 2-18, 2-30
- contenu du kit
 - RapidRails, 2-4
 - VersaRails, 2-6
- contenu du kit RapidRails, 2-4
- contenu du kit VersaRails
 - liste, 2-5

I

- installation
 - bras de maintien des câbles, 2-13
 - bride de maintien en position rigide, 2-25

- rails coulissants pour kit à deux montants, 2-23
- rails coulissants RapidRails, 2-8
- rails coulissants VersaRails, 2-10
- installation du bras de maintien des câbles, 2-30
- installation du système
 - rack à deux montants, 2-29
 - rack à quatre montants, 2-11
- instructions de sécurité, 2-1

K

- kit à deux montants
 - installation des rails coulissants, 2-23
 - installation du bras de maintien des câbles, 2-30
 - installation du système, 2-29
 - marquage du rack, 2-21
- kit à quatre montants
 - contenu du kit RapidRails, 2-4
 - contenu du kit VersaRails, 2-5
 - installation du système, 2-11
 - installing du bras de maintien des câbles, 2-13
 - marquage du rack, 2-7
 - outils et fournitures, 2-4, 2-19
 - routage des câbles, 2-17

- kit VersaRails
 - contenu du kit, 2-6

L

- liste du contenu
 - kit à deux montants, 2-20
 - kit RapidRails, 2-4
 - kit VersaRails, 2-5

M

- marquage du rack, 2-7
 - kit à deux montants, 2-21

O

- outils et fournitures
 - kit à quatre montants, 2-4, 2-19

P

- portes
 - remise en place, 2-18
 - retrait, 2-6
- précautions de montage des racks, 2-3

R

rails verticaux

marquage, 2-7

unité à un rack, 2-7

routage des câbles, 2-17, 2-30

S

spécifications de rack requises

pour les rails

VersaRails, 2-3

U

unité de rack, 2-7

V

VersaRails

contenu du kit, 2-5

spécifications de rack

requises, 2-3

Dell™-Systeme

Rack- Installationsanleitung



HINWEIS, BITTE BEACHTEN und VORSICHT



HINWEIS: Ein HINWEIS enthält wichtige Informationen, mit deren Hilfe Sie Ihren Computer besser nutzen können.



BITTE BEACHTEN: BITTE BEACHTEN weist auf eine mögliche Beschädigung von Hardware oder den Verlust von Daten hin und beschreibt, wie dieses Problem vermieden werden kann.



VORSICHT: VORSICHT weist darauf hin, dass die Gefahr eines Sachschadens oder Personenschadens bzw. Lebensgefahr besteht.

Die in diesem Dokument enthaltenen Informationen können ohne Vorankündigung geändert werden.

© 2002 Dell Computer Corporation. Alle Rechte vorbehalten.

Eine Reproduktion dieses Dokuments in jeglicher Form ist nur mit vorheriger schriftlicher Genehmigung der Dell Computer Corporation erlaubt.

Die in diesem Text verwendeten Warenzeichen: *Dell*, das *DELL*-Logo, *VersaRails* und *RapidRails* sind Warenzeichen der Dell Computer Corporation.

Andere in diesem Dokument möglicherweise verwendete Warenzeichen und Handelsbezeichnungen sind unter Umständen Marken und Namen der entsprechenden Firmen oder ihrer Produkte. Die Dell Computer Corporation erhebt keinen Anspruch auf Warenzeichen oder Handelsnamen mit Ausnahme ihrer eigenen.

Oktober 2002 P/N 5X860Rev. A00

Inhalt

VORSICHT: Sicherheitshinweise	3-1
Montage von Systemen im Rack	3-1
Installationsanleitung	3-2
Rack-Anforderungen für VersaRails.	3-3
Montage in einem Rack mit vier Stützen	3-3
Bevor Sie beginnen.	3-3
Empfohlene Werkzeuge und Zubehör	3-4
Inhalt des RapidRails-Rack-Kits	3-4
Inhalt des VersaRails-Rack-Kits	3-5
Montagearbeiten	3-6
Entfernen der Rack-Türen	3-6
Markieren des Racks	3-7
Einbau der RapidRails-Gleitschienen	3-9
Einbau der VersaRails-Gleitschienen	3-10
Einbau des Systems im Rack	3-12
Einbau des Kabelarms	3-13
Verlegen der Kabel	3-17
Wiederanbringen der Rack-Türen	3-19
Montage in einem Zwei-Stützen-Rack.	3-19
Empfohlene Werkzeuge und Zubehör	3-19
Inhalt des Rack-Kits	3-20
Montage eines Racks mit zwei Stützen	3-20
Markieren des Racks	3-21
Einbau der Gleitschienen im Rack	3-23
Einbau des Systems im Rack	3-29
Einbau des Kabelarms	3-30
Verlegen der Kabel	3-30

Stichwortverzeichnis

Abbildungen

Abbildung 3-1.	Inhalt des RapidRails-Rack-Kits	3-5
Abbildung 3-2.	Inhalt des VersaRails-Rack-Kits	3-6
Abbildung 3-3.	Eine Rack-Einheit	3-7
Abbildung 3-4.	Markieren der vertikalen Schienen	3-8
Abbildung 3-5.	Einbau der RapidRails-Gleitschienen	3-10
Abbildung 3-6.	Einbau der VersaRails-Gleitschienen	3-11
Abbildung 3-7.	Installation des Systems im Rack (RapidRails oder VersaRails)	3-13
Abbildung 3-8.	Einbau des Kabelarms	3-14
Abbildung 3-9.	Öffnen der Kabelabdeckungen	3-16
Abbildung 3-10.	Installation der Zugentlastung für die Netzkabel	3-17
Abbildung 3-11.	Verlegen der Kabel	3-18
Abbildung 3-12.	Komponenten des Zwei-Stützen-Rack-Kits	3-20
Abbildung 3-13.	Universeller Lochabstand beim offenen Relaisgestell mit zwei Stützen	3-21
Abbildung 3-14.	Weiter Lochabstand beim offenen Relaisgestell mit zwei Stützen	3-22
Abbildung 3-15.	Montage der Gleitschienen für die Mittenmontage	3-24
Abbildung 3-16.	Installation der Versteifungsklammer (in 3-Zoll breitem Rack)	3-25
Abbildung 3-17.	Drehen der vorderen Montagehalterung für bündige Montage	3-27
Abbildung 3-18.	Einbau der Gleitschienen für die bündige Montage	3-28


VORSICHT: Sicherheitshinweise

Beachten Sie die nachfolgenden Sicherheitshinweise, um Ihre eigene Sicherheit zu gewährleisten und eine Beschädigung Ihres Systems sowie Ihrer Arbeitsumgebung zu vermeiden. Vollständige Informationen über die Sicherheitsanforderungen finden Sie in den *Systeminformationen*.


Montage von Systemen im Rack

Folgende Vorsichtsmaßnahmen dienen der Stabilität und Sicherheit des Racks.


Systeme gelten als Komponenten in einem Rack. Der Begriff „Komponente“ kann also ein beliebiges System oder verschiedene Peripheriegeräte oder Zusatzhardware bezeichnen.

 **VORSICHT: Werden Systemkomponenten in einem Rack montiert, an dem die vorderen und seitlichen Stabilisatoren fehlen, kann das Rack umkippen. Dies kann unter Umständen schwere Verletzungen zu Folge haben. Befestigen Sie daher grundsätzlich zuerst die Stabilisatoren, bevor Sie Komponenten im Rack einbauen.**

Ziehen Sie nach dem Einbau von Systemen/Komponenten in einem Rack niemals mehr als eine Komponente gleichzeitig auf ihren Gleitschienen aus dem Rack. Durch das Gewicht von mehr als einer Komponente kann das Rack umkippen und Verletzungen verursachen.

 **HINWEIS:** Ihr System ist als frei stehende Einheit und für die Verwendung als Komponente in Dell™-Gestellschränken sicherheitszertifiziert, wobei das Customer Rack Kit eingesetzt werden muss. Der Einbau Ihres Systems und Rack-Kits in anderen Gestellschränken wurde von keiner Prüfbehörde untersucht. Sie sind selbst dafür verantwortlich, dass die endgültige Kombination von System und Rack alle geltenden Sicherheitsstandards und die lokalen Stromrichtlinien erfüllt. Dell lehnt jede Haftung und Gewährleistung für solche Kombinationen ab.

- System-Rack-Kits müssen von geschulten Servicetechnikern in einem Rack montiert werden. Wenn Sie das Kit in ein anderes Rack einbauen, vergewissern Sie sich, dass das Rack die Spezifikationen eines Dell-Racks erfüllt.

 **VORSICHT: Racks sollten nie von einer Person allein bewegt werden. Wegen der Höhe und des Gewichtes des Racks sollte diese Arbeit von mindestens zwei Personen durchgeführt werden.**

- Bevor Sie an einem Rack arbeiten, vergewissern Sie sich, dass die Stabilisatoren am Rack befestigt sind, bis auf den Boden reichen und dass das gesamte Gewicht des Racks auf dem Boden lastet. Montieren Sie an einem einzelnen Rack vordere und seitliche Stabilisatoren, an mehreren miteinander verbundenen Racks vordere Stabilisatoren, bevor Sie Arbeiten am Rack durchführen.

VORSICHT: Sicherheitshinweise (*Fortsetzung*)

- Bestücken Sie das Rack immer von unten nach oben und bauen Sie die schwerste Komponente zuerst in das Rack ein.
- Vergewissern Sie sich, dass das Rack gerade und stabil steht, bevor Sie eine Komponente aus dem Rack ziehen.
- Achten Sie auf Ihre Finger, wenn Sie auf die Schienenverriegelung der Komponente drücken und eine Komponente in das Rack schieben oder aus dem Rack ziehen: Quetschgefahr!
- Wenn Sie eine Komponente in das Rack eingesetzt haben, ziehen Sie die Schienen vorsichtig in eine Verriegelungsposition heraus und schieben Sie dann die Komponente in das Rack.
- Überlasten Sie nicht den Wechselstromkreis, über den das Rack mit Strom versorgt wird. Die Gesamtlast des Racks sollte 80 Prozent der Nennbelastbarkeit des Stromkreises nicht überschreiten.
- Überprüfen Sie, ob eine ausreichende Luftzufuhr zu den Komponenten im Rack gewährleistet ist.
- Treten Sie nicht auf Komponenten oder stellen sich darauf, wenn Sie an anderen Komponenten in einem Rack Arbeiten durchführen.

Installationsanleitung

Diese Installationsanleitung enthält Anweisungen für geschulte Servicetechniker zur Montage eines oder mehrerer Systeme in einem Gestellschrank oder einem offenen Relaisgestell. Das RapidRails™ Rack-Kit kann ohne Werkzeuge in alle Gestellschränke des Systemherstellers eingebaut werden, das VersaRails™ Rack-Kit in die meisten Standard-gestellschränke. Die Montage der RapidRails- und VersaRails-Rack-Kits verläuft ähnlich. Für jedes in den Gestellschrank eingebaute System wird ein Rack-Kit benötigt.

Diese Anleitung beschreibt die Vorgehensweise für folgende Rack-Kits:

- RapidRails-Kit in einem Gestellschrank mit vier Stützen
- VersaRails-Kit in einem Gestellschrank mit vier Stützen
- Zwei-Stützen-Kit (entweder für Mittenmontage oder bündige Montage)

Zur leichteren Fehlersuche und Überprüfung des Systemzustands enthalten einige dieser Rack-Kits ein Statusanzeigenkabel, das die Daten von den zweifarbigem Statusanzeigen an der Vorder- und Rückwand zur Rückseite des Kabelarms leitet. Weitere Informationen zu diesen Anzeigen finden Sie im *Benutzerhandbuch*.

Bevor Sie mit der Installation beginnen, lesen Sie dieses gesamte Dokument sorgfältig durch.



VORSICHT: Installieren Sie keine Rack-Kit-Komponenten, die für andere Systeme vorgesehen sind. Verwenden Sie ausschließlich das für Ihr System konzipierte Rack-Kit. Wenn Sie das Rack-Kit für ein anderes System verwenden, könnte das System beschädigt und Sie selbst oder andere Personen verletzt werden.

Rack-Anforderungen für VersaRails



BITTE BEACHTEN: Das VersaRails Rack-Kit muss von geschulten Servicetechnikern in einem Rack installiert werden, das den Spezifikationen des American National Standards Institute (ANSI) / Electronic Industries Association (EIA) Standard ANSI/EIA-310-D-92, der International Electrotechnical Commission (IEC) 297 und der Deutschen Industrie Norm (DIN) 41494 entspricht. Für jedes in einem Rack installierte System wird ein eigenes Rack-Kit benötigt.

Montage in einem Rack mit vier Stützen


Bevor Sie mit der Installation beginnen, lesen Sie diese gesamte Prozedur sorgfältig durch.


Bevor Sie beginnen

Bevor Sie mit der Installation des Systems im Rack beginnen, lesen Sie sorgfältig den Abschnitt „Sicherheitshinweise“ sowie die Sicherheitshinweise im Dokument *Systeminformationen* Ihres Systems.




VORSICHT: Wenn Sie mehrere Systeme in einem Rack einbauen, führen Sie immer zuerst sämtliche Installationsschritte für das gerade montierte System durch, bevor Sie mit dem nächsten System beginnen.

 **VORSICHT:** Die Gestellschränke können sehr schwer sein und leicht auf ihren Rollen wegrollen. Es gibt keine Bremsen! Bewegen Sie den Gestellschrank nur mit größter Vorsicht. Fahren Sie die höhenverstellbaren Füße ein, bevor Sie den Gestellschrank bewegen. Vermeiden Sie lange bzw. steile Neigungen oder Rampen, auf denen Sie die Kontrolle über den Gestellschrank verlieren könnten. Fahren Sie die höhenverstellbaren Füße aus, damit der Gestellschrank abgestützt wird und nicht wegrollen kann.

 **HINWEIS:** Anweisungen zur Installation des Systems selbst finden Sie unter „Einbau des Systems im Rack“.

Wichtige Sicherheitshinweise

Beachten Sie beim Einbau Ihres Systems im Rack die Sicherheitsmaßnahmen in den folgenden Unterabschnitten.

 **VORSICHT:** Befolgen Sie die in diesem Dokument angegebenen Prozeduren genau, um sich selbst und Ihre Mitarbeiter nicht zu gefährden. Ihr System kann sehr groß und schwer sein. Sie sollten die Montage also gründlich vorbereiten und planen, um Verletzungen zu vermeiden. Dies gilt besonders, wenn Systeme weiter oben im Rack installiert werden.

Empfohlene Werkzeuge und Zubehör

Für die Installation des Systems in einem Rack mit vier Stützen benötigen Sie eventuell folgende Werkzeuge und Zubehörteile:

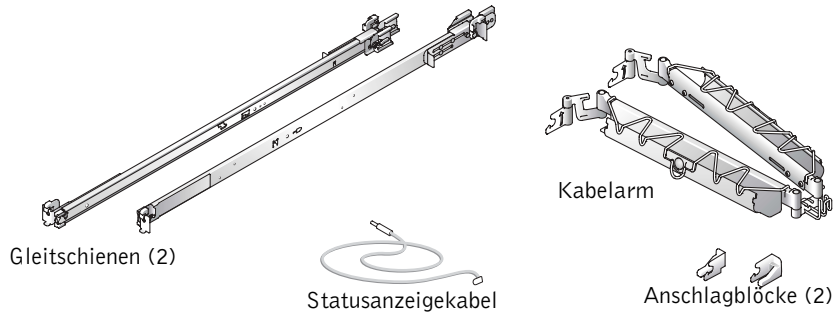
- Kreuzschlitz-Schraubendreher Nr. 2
- Kreppband oder einen Filzstift zur Markierung der verwendeten Montagelöcher

Inhalt des RapidRails-Rack-Kits

Das RapidRails-Rack-Kit enthält folgende Teile (siehe Abbildung 3-1):

- Ein Paar RapidRails-Gleitschienen
- Ein Kabelarm
- Zwei Anschlagblöcke (links und rechts)
- Ein Statusanzeigekabelsatz
- Lösbare Kabelbinder (in Abbildung 3-1 nicht gezeigt)

Abbildung 3-1. Inhalt des RapidRails-Rack-Kits



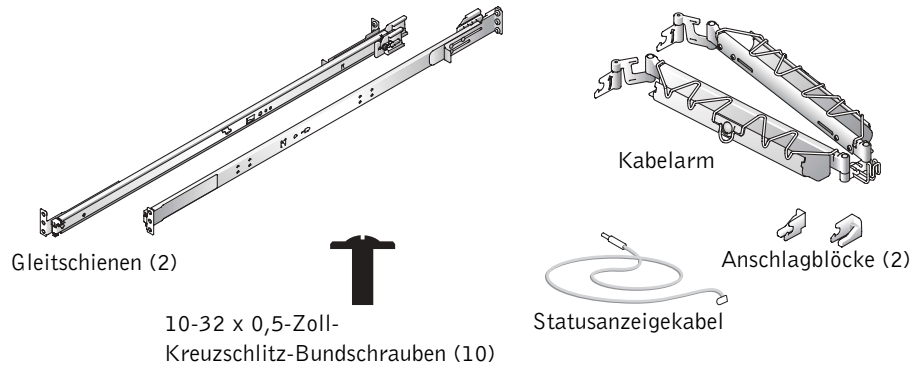
Inhalt des VersaRails-Rack-Kits

Das VersaRails-Rack-Kit enthält folgende Teile (siehe Abbildung 3-2):

- Ein Paar VersaRails-Gleitschienen
- Ein Kabelarm
- Zwei Anschlagblöcke (links und rechts)
- Ein Statusanzeigekabelsatz
- Zehn 10-32 x 0,5-Zoll Kreuzschlitz-Bundschrauben
- Lösbare Kabelbinder (in Abbildung 3-2 nicht gezeigt)



HINWEIS: Die in den Abbildungen und Prozeduren genannten nichtmetrischen Schrauben werden anhand ihrer Größe und der Anzahl der Windungen pro Zoll bezeichnet. So wird z.B. eine Kreuzschlitzschraube Nr. 10 mit 32 Windungen pro Zoll als 10-32-Schraube bezeichnet.

Abbildung 3-2. Inhalt des VersaRails-Rack-Kits

Montagearbeiten

Bei der Montage eines Rack-Kits sind die Arbeitsschritte in folgender Reihenfolge auszuführen:

- 1 Entfernen der Rack-Türen
- 2 Markieren des Racks
- 3 Einbau der Gleitschienen im Rack
 - RapidRails-Gleitschienen
 - VersaRails-Gleitschienen
- 4 Einbau des Systems im Rack
- 5 Einbau des Kabelarms
- 6 Verlegen der Kabel
- 7 Wiederanbringen der Rack-Türen

Entfernen der Rack-Türen

Siehe Ablauf zum Entfernen der Türen in der Dokumentation Ihres Gestellschranks.

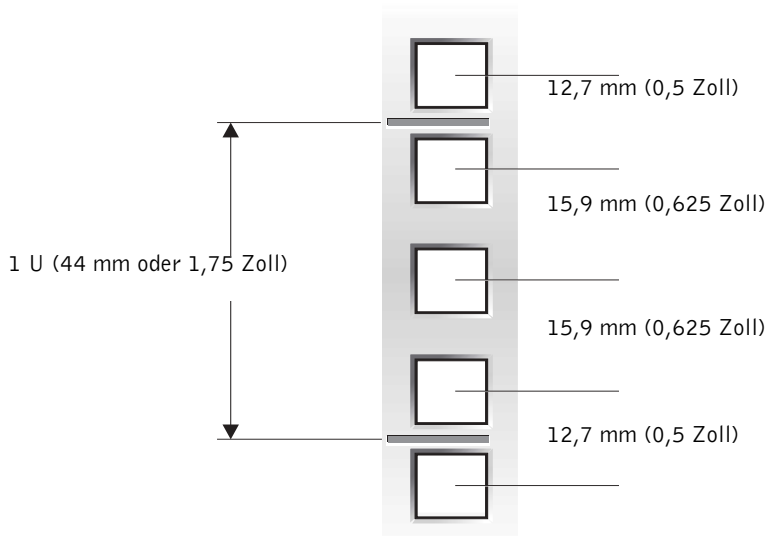
- ⚠ VORSICHT: Die Gestellschrantüren sind sehr groß und schwer, also dürfen sie niemals durch eine Einzelperson entfernt oder eingebaut werden.**
- ⚠ VORSICHT: Stellen Sie die Türen an einen Ort, wo niemand verletzt werden kann, falls die Türen versehentlich umfallen.**

Markieren des Racks

Zwischen den einzelnen Systemen, die Sie im Rack installieren, müssen Sie einen vertikalen Abstand von jeweils 1 U (44 mm bzw. 1,75 Zoll) lassen. Gestellschränke, die den EIA-310-Standards entsprechen, haben ein sich wiederholendes Muster aus drei Löchern pro Rack-Einheit, deren Mittenabstand zueinander (beginnend in der Mitte des oberen Lochs einer 1-U-Einheit) 15,9 mm, 15,9 mm und 12,7 mm (0,625, 0,625 und 0,5 Zoll) an den vorderen und hinteren vertikalen Schienen beträgt (siehe Abbildung 3-3). Die Gestellschränke haben meist runde oder rechteckige Löcher.

HINWEIS: Die vertikalen Schienen sind eventuell in Abständen von 1 U mit horizontalen Linien und Zahlen markiert. Am besten notieren Sie sich die Nummer der Markierung auf der vertikalen Schiene. So brauchen Sie keine zusätzlichen Markierungen oder Kreppband am Rack anzubringen. Wenn Sie sich für dieses Verfahren entscheiden, gehen Sie direkt zum Abschnitt „Installation der RapidRails-Gleitschienen“.

Abbildung 3-3. Eine Rack-Einheit



VORSICHT: Wenn Sie mehr als ein System installieren, montieren Sie die Gleit-schienen so, dass das erste System in die unterste mögliche Position im Rack zu liegen kommt.

Zum Markieren des Racks gehen Sie wie folgt vor:

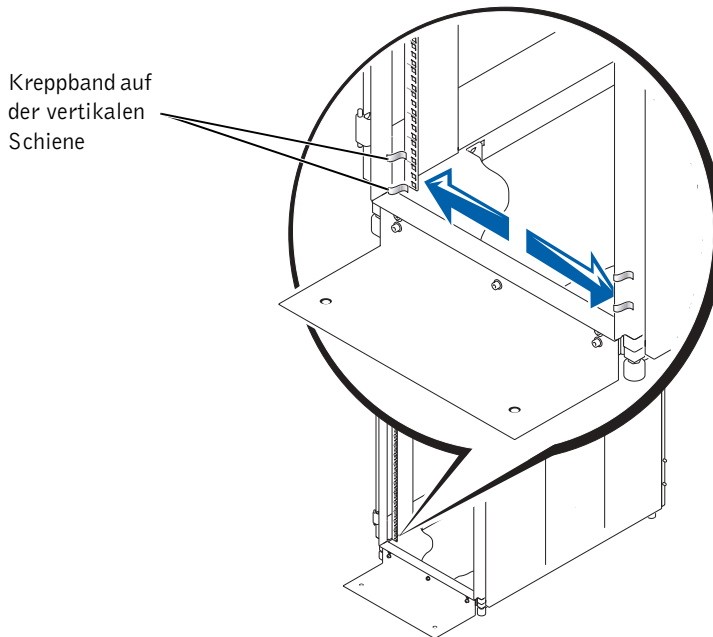
- 1 Bringen Sie auf den vorderen vertikalen Schienen des Racks eine Markierung an der Stelle an, an der sich die Unterseite des Systems befinden soll, das Sie in den Gestellschrank einbauen möchten.

Die Unterkante jeder 1-U-Einheit befindet sich in der Mitte des schmalsten Metallstücks zwischen den Löchern (bei einigen Gestellschränken mit einer horizontalen Linie gekennzeichnet; siehe Abbildung 3-3).

- 2 Bringen Sie 44 mm (1,75 Zoll) über Ihrer Originalmarkierung eine Markierung an (oder zählen Sie in einem Rack nach EIA-310-Standard drei Löcher nach oben). Markieren Sie die vorderen vertikalen Schienen mit einem Filzstift oder einem Stück Kreppband (falls Sie die Löcher gezählt haben, bringen Sie direkt über dem oberen Loch eine Markierung an).

Die Markierung bzw. das Kreppband zeigt die spätere Position der Oberkante des Systems an den vertikalen Schienen an (siehe Abbildung 3-4).

Abbildung 3-4. Markieren der vertikalen Schienen

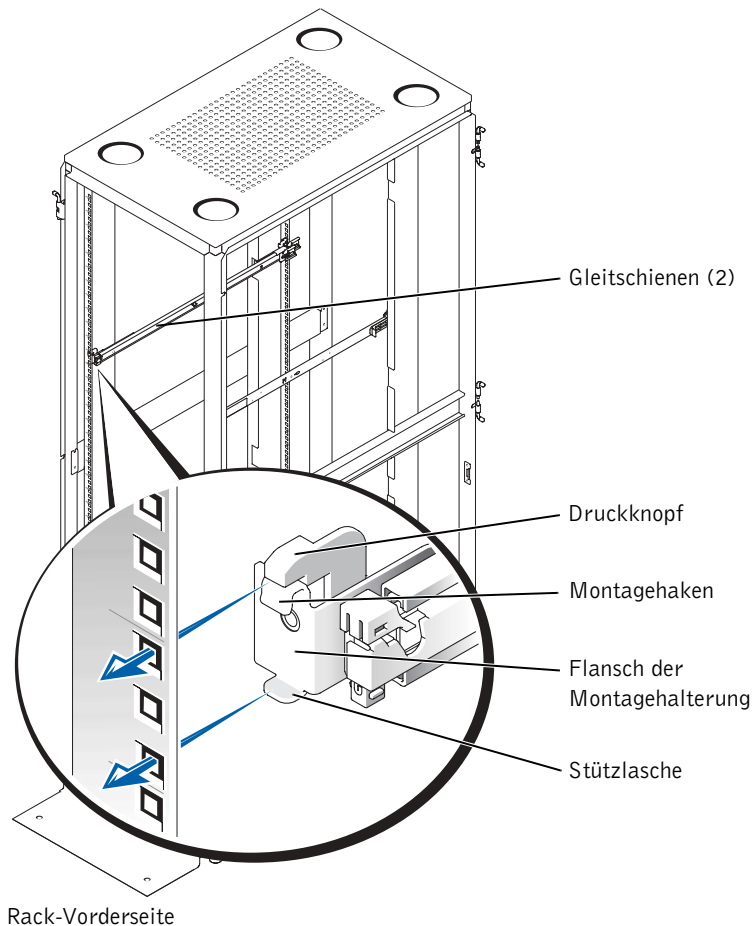


Einbau der RapidRails-Gleitschienen

- 1** Setzen Sie eine der RapidRails-Gleitschienen so an der Vorderseite des Gestell-schranks an, dass der Montagehalterungsflansch zwischen die Markierungen oder das Kreppband an dem Rack zu liegen kommt (siehe Abbildung 3-5).

Der Montagehaken auf dem vorderen Montagehalterungsflansch der Gleitschiene sollte in das obere Loch zwischen Ihren Markierungen auf den vertikalen Schienen passen.

- 2** Drücken Sie die Gleitschiene nach vorn, bis die Montagehaken in ihren rechteckigen Löchern auf der vertikalen Schiene positioniert sind. Drücken Sie dann den Montagehalterungsflansch nach unten, bis die Montagehaken in die rechteckigen Löcher eingerastet sind, der Druckknopf herauspringt und ein Klicken zu hören ist.
- 3** Ziehen Sie an der Rückseite des Gestellschranks den Flansch der Montagehalterung nach hinten, bis die Montagehaken in den zugehörigen Löchern positioniert sind. Drücken Sie dann den Montagehalterungsflansch nach unten, bis die Montagehaken in die rechteckigen Löcher einrasten, der Druckknopf herauspringt und ein Klicken zu hören ist.
- 4** Wiederholen Sie Schritt 1 bis 3 für die Gleitschienen auf der anderen Seite des Racks.
- 5** Achten Sie darauf, dass die Schienen auf jeder Rack-Seite jeweils an der gleichen Stelle auf den vertikalen Schienen montiert werden.

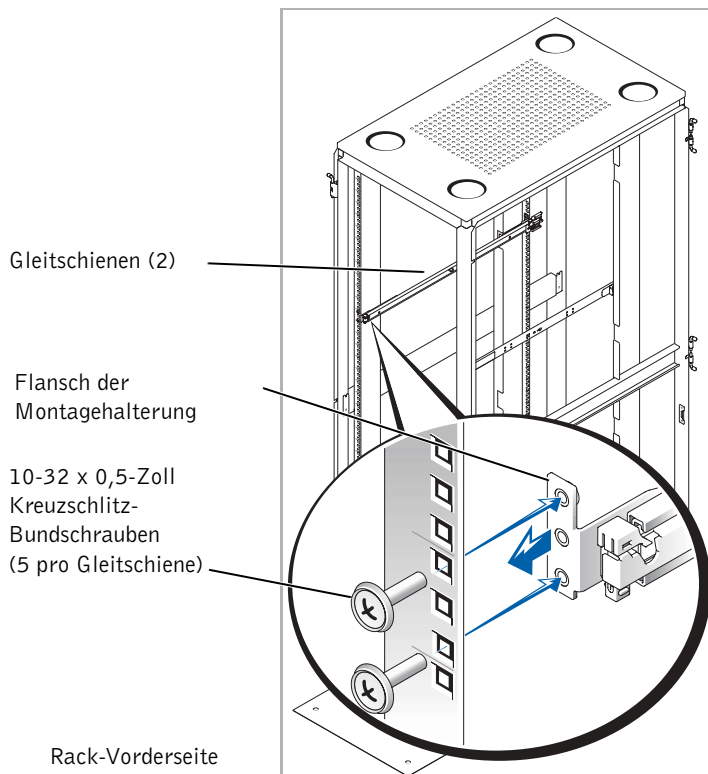
Abbildung 3-5. Einbau der RapidRails-Gleitschienen**Einbau der VersaRails-Gleitschienen**

- 1 Setzen Sie eine der VersaRails-Gleitschienen so an der Vorderseite des Gestellschranks an, dass der zugehörige Montagehalterungsflansch zwischen die Markierungen/Kreppbänder (oder an die Markierung mit der richtigen Zahl) am Rack zu liegen kommt (siehe Abbildung 3-6).

Die drei Löcher an der Vorderseite der Montagehalterung sollten mit drei Löchern zwischen Ihren Markierungen an der vorderen vertikalen Schiene übereinstimmen.

- 2 Befestigen Sie die Gleitschiene durch je eine 10-32 x 0,5 Zoll (1,27 cm) Kreuzschlitz-Bundschraube im oberen und unteren Loch des Montageflanschs an der vorderen vertikalen Schiene (siehe Abbildung 3-6).
- 3 Ziehen Sie den Montagehalterungsflansch auf der Gestellschrank-Rückseite nach hinten, bis seine Montagelöcher mit den rechteckigen Löchern auf der hinteren vertikalen Schiene übereinstimmen.
- 4 Befestigen Sie die Gleitschiene mit drei 10-32 x 0,5 Zoll (1,27 cm) Kreuzschlitz-Bundschrauben in den hinteren Montagelöchern an der hinteren vertikalen Schiene.


Abbildung 3-6. Einbau der VersaRails-Gleitschienen



- 5 Wiederholen Sie Schritt 1 bis Schritt 4 für die Gleitschienen auf der anderen Seite des Racks.
- 6 Achten Sie darauf, dass die Gleitschienen auf jeder Rack-Seite jeweils in der gleichen Höhe der vertikalen Schienen befestigt werden.

Einbau des Systems im Rack

 **VORSICHT: Wenn Sie mehr als ein System installieren, bauen Sie das erste System in der untersten möglichen Position im Rack ein.**

 **VORSICHT: Ziehen Sie niemals mehr als eine Komponente gleichzeitig aus dem Rack heraus.**

- 1 Ziehen Sie die beiden Gleitschienen aus dem Rack, bis sie in der vollständig ausgezogenen Position einrasten.

 **VORSICHT: Das System ist sehr groß und schwer, also darf es niemals durch eine Einzelperson in den Gleitschienen montiert werden.**

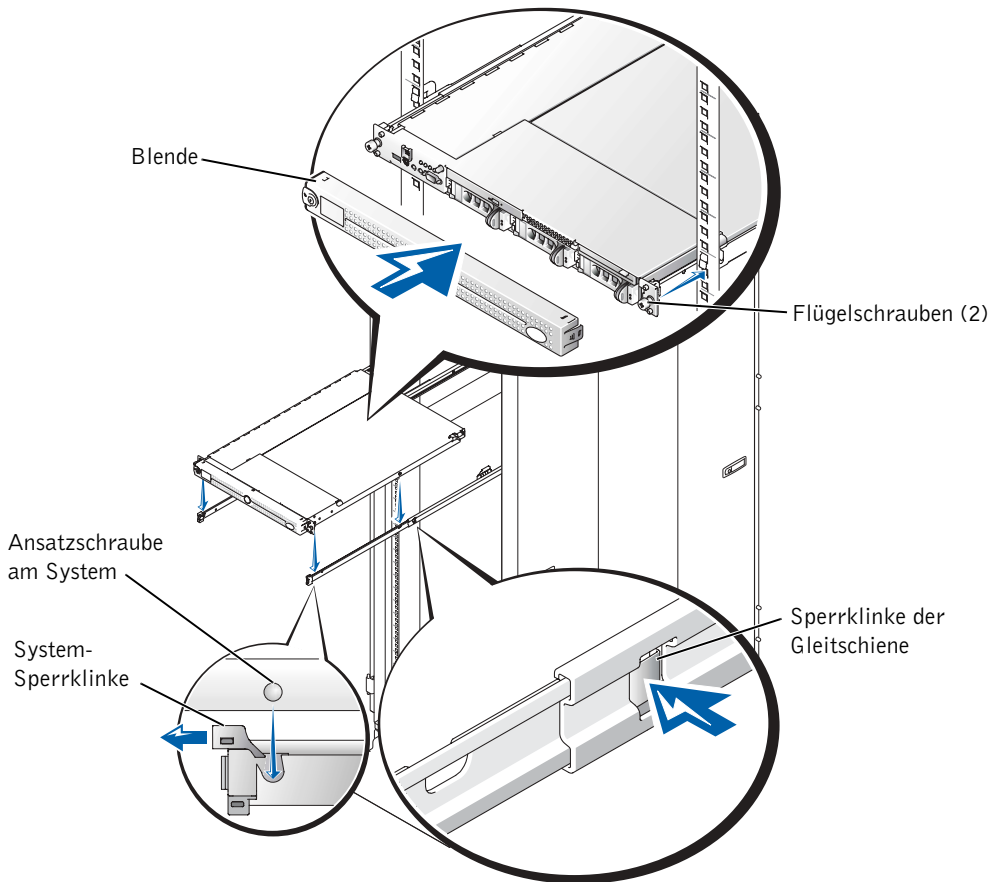
- 2 Nehmen Sie die Frontblende des Systems ab.
 - a Entriegeln Sie den Verschluss.
 - b Drücken Sie auf die rechte und linke Zunge.
 - c Ziehen Sie die Blende vom System weg.
- 3 Heben Sie das System in Position vor die herausgezogenen Gleitschienen.
- 4 Heben Sie dabei das System mit einer Hand unter dem vorderen und mit der anderen unter dem hinteren Rand an.
- 5 Kippen Sie die Rückseite des Systems nach unten und bringen Sie die hinteren Ansatzschrauben auf den Seiten des Systems mit den hinteren Schlitzen der Gleitschienen in Übereinstimmung.
- 6 Setzen Sie die hinteren Ansatzschrauben in ihre jeweiligen Einbaupositionen ein.
- 7 Kippen Sie die Vorderseite des Systems nach unten und setzen Sie die vorderen Ansatzschrauben in die vorderen Einbaupositionen hinter der Sperrklinke des Systems ein (siehe Abbildung 3-7).

Die Sperrklinke des Systems bewegt sich nach vorne und schnappt zurück, wenn die Ansatzschraube in den vorderen Schlitz hineinrutscht.

Mithilfe dieser Sperrklinke können Sie das System aus den Gleitschienen entfernen.

- 8 Drücken Sie auf die Sperrklinken an den Seiten der Gleitschienen und schieben Sie das System vollständig ins Rack (siehe Abbildung 3-7).
- 9 Schrauben Sie das System mit den Rändelschrauben an der Gehäuse-Frontplatte des Racks fest.

Abbildung 3-7. Installation des Systems im Rack (RapidRails oder VersaRails)



Einbau des Kabelarms

- ➡ **BITTE BEACHTEN:** Der Kabelarm kann auf der rechten oder linken Seite des Gestellschranks eingebaut werden. Dieses Verfahren beschreibt den Einbau des Kabelarms an der rechten Seite des Gestellschranks (von der Rückseite aus gesehen). Wenn Sie mehrere Systeme im Rack installieren, sollten Sie den Kabelarm für eine einfachere Verlegung der Kabel jeweils abwechselnd auf beiden Seiten des Racks anbringen.

Um den Kabelarm an der Rückseite des Systems zu installieren, führen Sie folgende Schritte aus:

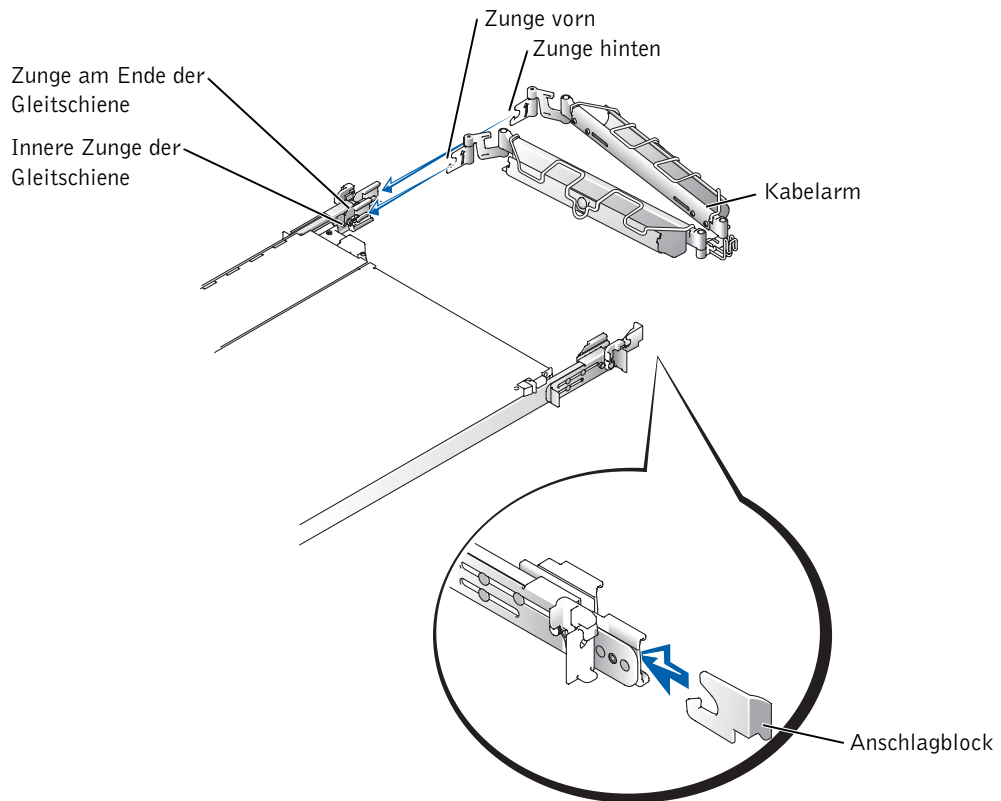
- 1 Stellen Sie sich hinter den Gestellschrank und suchen Sie den Riegel am Ende der rechten Gleitschiene, die Sie an der hinteren vertikalen Schiene befestigt haben.
- 2 Drücken Sie die Zunge am hinteren Ende des Kabelarms in die Verriegelung am Ende der Gleitschiene (siehe Abbildung 3-8).

Der Riegel rastet mit einem Klicken ein.

- 3 Drücken Sie die Zunge am vorderen Ende des Kabelarms in den entsprechenden Riegel im inneren Teil der Gleitschiene (siehe Abbildung 3-8).

Der Riegel rastet mit einem Klicken ein.

Abbildung 3-8. Einbau des Kabelarms



- 4 Montieren Sie den Anschlagblock am Riegel am Ende gegenüber der Gleitschiene (siehe Abbildung 3-8).

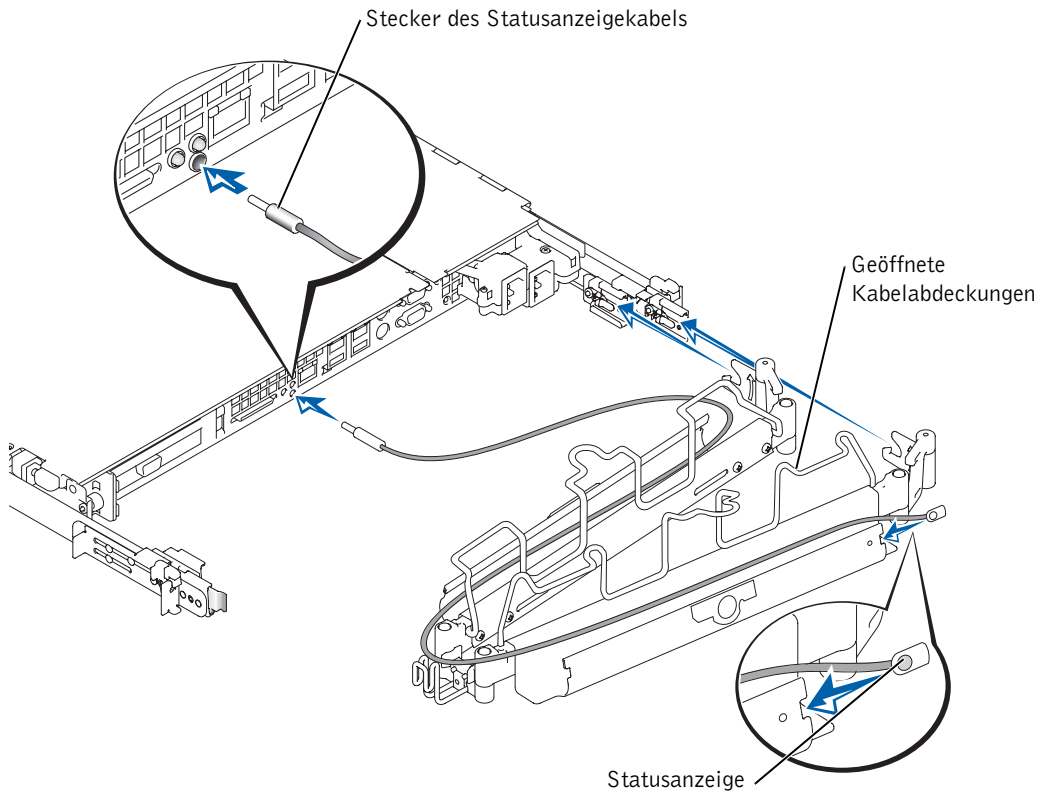
Der Anschlagblock verhindert, dass der Kabelarm nach hinten gleitet und trägt das Gewicht des Arms sowie der montierten Kabel.

Das Rack-Kit mit zwei Stützen verfügt über zwei Anschlagblöcke: einen für die Montage auf der rechten Seite und einen für die Montage auf der linken Seite. Sie können nur den passenden Anschlagblock installieren.

- 5 Stecken Sie den Kabelstecker der Systemstatusanzeige in den zugehörigen Anschluss.
- 6 Öffnen Sie die Kabelabdeckungen des Kabelarms, indem Sie die Mitte des Kabels über den gewölbten runden Knopf an der Vorderseite des vorderen Teils des Kabelarms hinaus und dann über den ähnlichen runden Knopf auf der Rückseite des Kabelarms heben.

Die Kabelabdeckung öffnet sich und die Kabel können innerhalb des Arms verlegt werden.

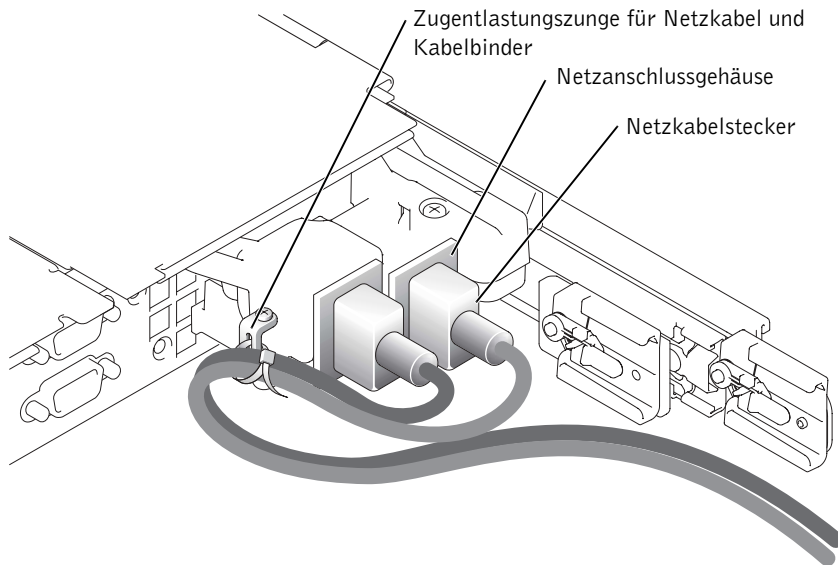
Abbildung 3-9. Öffnen der Kabelabdeckungen



- 7 Führen Sie das Kabelende der Statusanzeige durch den Kabelarm und installieren Sie die Anzeige im entsprechenden Steckplatz am hinteren Ende des Kabelarms (siehe Abbildung 3-9).
- 8 Schließen Sie die Netzkabel an den entsprechenden Anschlüssen an der rückseitigen Abdeckung an.
- ⓘ **BITTE BEACHTEN:** Obwohl die Zugentlastungsvorrichtung Netzkabel mit einem Biegeradius von bis zu 19 mm (0,75 Zoll) aufnehmen kann, empfiehlt der Systemhersteller, nur die im Lieferumfang des Systems enthaltenen Netzkabel zu verwenden.
- 9 Führen Sie einen Kabelbinder durch den Schlitz der Zugentlastungszunge (siehe Abbildung 3-10).

- Legen Sie die Netzkabel in einer engen Schleife neben dem Anschlussgehäuse zusammen und legen sie den Zulentlastungskabelbinder lose um die zusammengelegten Netzkabel (siehe Abbildung 3-10).

Abbildung 3-10. Installation der Zulentlastung für die Netzkabel



Verlegen der Kabel

- Schließen Sie die I/O-Kabelstecker an die entsprechenden Anschlüsse auf der Rückseite des Systems an.

Näheres zu Kabelsteckern finden Sie in der *Anleitung zur Installation und Fehlersuche* und in der *Bedienungsanleitung*.

- Führen Sie die Netz- und I/O-Kabel durch den Kabelarm und bringen Sie vier locker sitzende lösbare Kabelbinder an (zwei in der Mitte und jeweils einen an den Enden des Kabelarms). Ziehen Sie die Kabelbinder jetzt noch nicht vollständig fest (siehe Abbildung 3-11).

Lassen Sie die Kabel im Kabelarm leicht durchhängen, um Beschädigungen an den Kabeln zu verhindern.

- 3 Befestigen Sie die Kabel am Kabelarm:
 - a Wenn Sie die Kabel am System angeschlossen haben, lösen Sie die Flügelschrauben zwischen der System-Vorderseite und der vorderen vertikalen Schiene.
 - b Ziehen Sie das System in die vollständig ausgezogene Position heraus.
 - c Führen Sie die Kabel am Kabelarm entlang, sorgen Sie vor ausreichend Kabelzuschlag an den Scharnieren und befestigen Sie die Kabel mit lösbaren Kabelverbindern am Kabelarm und den Kabelabdeckungen über dem Kabelarm.


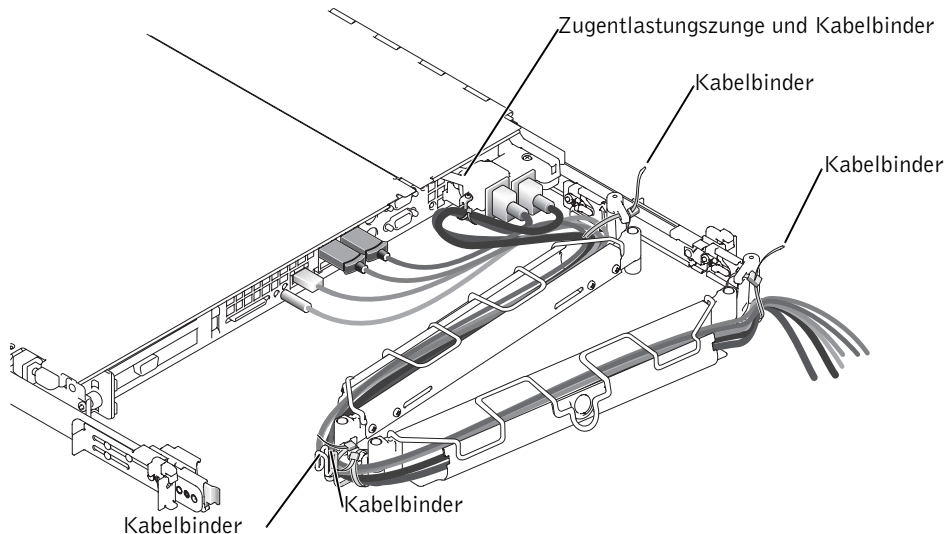
 **HINWEIS:** Wenn Sie das System in die vollständig geöffnete Position herausziehen, werden die Gleitschienen in der ausgezogenen Position verriegelt. Um das System in das Rack zurückzuschieben, drücken Sie auf die Sperrklinke an der Seite der Gleitschiene und schieben Sie das System dann vollständig in das Rack.
- 4 Schieben Sie das System in das Rack hinein und ziehen Sie es wieder heraus, um zu überprüfen, ob die Kabel korrekt verlegt sind und bei Bewegung des Kabelarms nicht eingeklemmt, gedehnt oder gequetscht werden.
- 5 Nehmen Sie eventuelle Korrekturen vor, so dass der Kabelzuschlag weder zu groß noch zu klein ist und die Kabel dennoch an Ort und Stelle bleiben, wenn das System in das Rack eingesetzt bzw. entnommen wird.

Abbildung 3-11. Verlegen der Kabel



Wiederanbringen der Rack-Türen

Siehe Vorgehensweise zum Einsetzen der Türen in der Dokumentation Ihres Gestellschranks.

 **VORSICHT: Die Gestellschrankschranktüren sind sehr groß und schwer, also dürfen sie niemals durch eine Einzelperson entfernt oder eingebaut werden.**

Damit ist die Rack-Montage Ihres Systems in einem Gestellschrank mit vier Stützen abgeschlossen.

Montage in einem Zwei-Stützen-Rack

Das Zwei-Stützen-Rack-Kit wird für die Montage eines Systems in einem offenen Relaisgestell mit zwei Stützen verwendet, wie man es zum Beispiel bei Telekommunikationsanlagen findet. Es können sowohl 3 Zoll als auch 6 Zoll breite Racks mit zwei Stützen und universellem bzw. weitem Lochabstand verwendet werden. Sie können dieses Kit entweder für die Mittenmontage oder für die bündige Montage verwenden. Das Zwei-Stützen-Kit enthält Gleitschienen, auf denen das System zur Wartung herausgezogen werden kann.

Sie müssen das offene Relaisgestell mit zwei Stützen ordnungsgemäß auf dem Boden, an der Decke oder oben an der Wand befestigen und möglichst mit benachbarten Gestellschränken verbinden. Verwenden Sie hierzu Boden- und Wandbefestigungen sowie Stützen, die vom Rack-Hersteller oder durch Industriestandards spezifiziert oder zugelassen sind. Bevor Sie mit der Installation beginnen, lesen Sie bitte die Vorsichtsmaßnahmen in der Installationsanleitung des Herstellers des offenen Relaisgestells mit zwei Stützen.

 **VORSICHT: Montieren Sie niemals Systeme in einem offenen Relaisgestell mit zwei Stützen, das nicht sicher verankert ist. Andernfalls kann das System beschädigt oder Sie bzw. andere Personen verletzt werden.**

Weitere Sicherheitshinweise zur Rack-Montage siehe „Sicherheitshinweise“ am Anfang dieses Dokuments.

Empfohlene Werkzeuge und Zubehör

Sie benötigen folgende Werkzeuge und Zubehörteile zur Installation des Systems in einem Rack mit Relaisgestell und zwei Stützen:

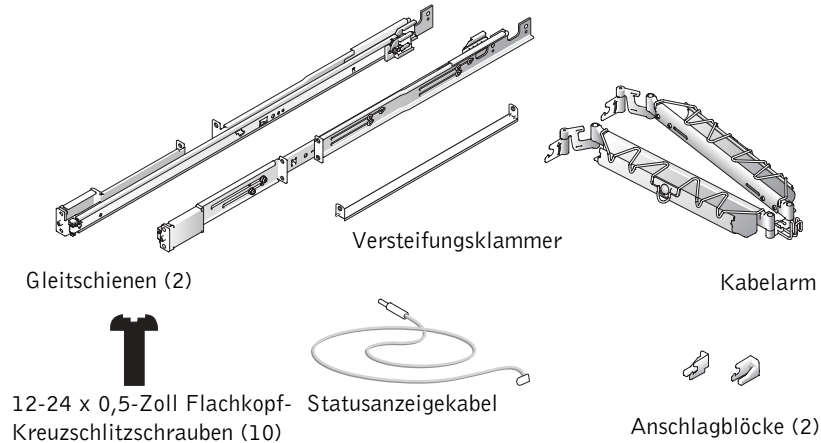
- Kreuzschlitz-Schraubendreher Nr. 2
- 11/32-Zoll Schraubenschlüssel oder Steckschlüssel (bei Wechsel der Halterung für bündige Montage)
- Kreppband oder Filzstift zur Markierung der korrekten Montagelöcher

Inhalt des Rack-Kits

Inhalt des Zwei-Stützen-Rack-Kits (siehe Abbildung 3-12):

- Ein Paar Gleitschienen (zwei Stützen)
- Eine Versteifungsklammer
- Ein Kabelarm
- Zwei Anschlagblöcke
- Ein Statusanzeigekabelsatz
- Zehn 12-24 x 0,5-Zoll Flachkopf-Kreuzschlitzschrauben
- Lösbare Kabelbinder (in Abbildung 3-12 nicht gezeigt)

Abbildung 3-12. Komponenten des Zwei-Stützen-Rack-Kits



Montage eines Racks mit zwei Stützen

Bei der Installation eines Rack-Kits mit zwei Stützen sind die folgenden Arbeitsschritte in der nummerierten Reihenfolge auszuführen:

- 1 Markieren des Racks
- 2 Einbau der Gleitschienen im Rack
 - Befestigung in Mittenmontage
 - Befestigung in bündiger Montage
- 3 Einbau des Systems im Rack

- 4 Einbau des Kabelarms
- 5 Verlegen der Kabel

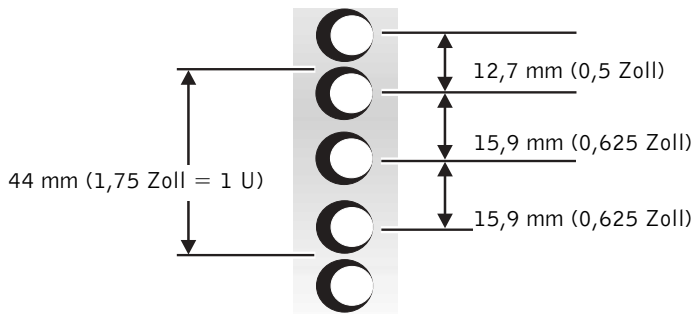
Markieren des Racks

Zwischen verschiedenen Systemen, die Sie im Rack mit zwei Stützen installieren, müssen Sie 1 Einheit (U = 44 mm bzw. 1,75 Zoll) vertikalen Abstand lassen.

Racks mit universellem Lochabstand

Standard-Racks mit zwei Stützen und universellem Lochabstand haben ein sich wiederholendes Muster aus drei Löchern pro Einheit, deren Mittenabstand (beginnend in der Mitte des oberen Lochs einer 1-U-Einheit) 15,875 mm, 15,875 mm und 12,70 mm (0,625, 0,625 und 0,5 Zoll) für die vordere und hintere vertikale Lochreihe beträgt (siehe Abbildung 3-13).

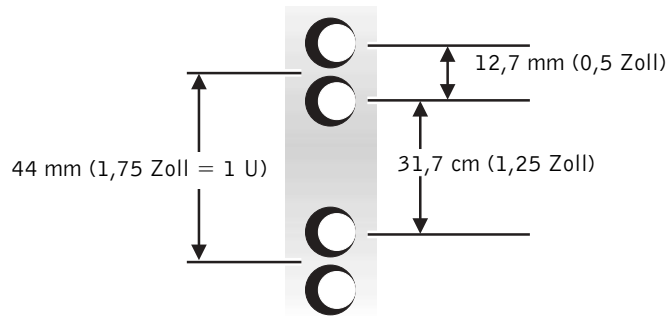
Abbildung 3-13. Universeller Lochabstand beim offenen Relaisgestell mit zwei Stützen



Racks mit weitem Lochabstand

Einige Racks mit zwei Stützen und weitem Lochabstand haben ein sich wiederholendes Muster aus zwei Löchern pro Einheit, deren Mittenabstand (beginnend mit dem oberen Loch einer 1-U-Einheit) 31,7 mm und 12,70 mm (1,25 und 0,5 Zoll) für die vertikale Lochreihe beträgt (siehe Abbildung 3-14).

Abbildung 3-14. Weiter Lochabstand beim offenen Relaisgestell mit zwei Stützen



Zum Markieren des Racks gehen Sie wie folgt vor:

- 1 Bringen Sie auf den vorderen vertikalen Schienen des Racks eine Markierung an der Stelle an, an der sich die Unterseite des Systems befinden soll, das Sie in das Rack mit zwei Stützen einbauen.

Die Unterkante jeder 1-U-Einheit befindet sich in der Mitte des schmalsten Metallstücks zwischen den Löchern.

HINWEIS: Wenn Ihr Rack einen weiten Lochabstand hat, gehen Sie zu Schritt 3.

- 2 Setzen Sie eine Markierung 44 mm (1,75 Zoll) über Ihre erste Markierung (oder zählen Sie in einem Rack mit universellem Lochabstand drei Löcher nach oben; siehe Abbildung 3-13).

Jede vertikale 1-U-Einheit (44 mm oder 1,75 Zoll) in einem Rack mit universellem Lochabstand verfügt über drei Löcher, deren Mittenabstand zueinander (beginnend mit dem oberen Loch einer 1-U-Einheit) 0,625, 0,625 und 0,5 Zoll beträgt (siehe Abbildung 3-13).


HINWEIS: Wenn Ihr Rack einen universellen Lochabstand hat, ist das Markieren des Racks damit abgeschlossen.

- 3 Setzen Sie eine Markierung 44 mm (1,75 Zoll) über Ihre erste Markierung (oder zählen Sie in einem Rack mit weitem Lochabstand ein Loch nach oben; siehe Abbildung 3-14).

Jede vertikale 1-U-Einheit (44 mm oder 1,75 Zoll) in einem Rack mit weitem Lochabstand verfügt über zwei Löcher, deren Mittenabstand zueinander (beginnend mit dem oberen Loch einer 1-U-Einheit) 31,7 mm (1,25 Zoll) beträgt (siehe Abbildung 3-14).

Einbau der Gleitschienen im Rack

Sie können die Gleitschienen in einem offen Rack mit zwei Stützen entweder mit universellem Lochabstand (siehe Abbildung 3-13) oder mit weitem Lochabstand (siehe Abbildung 3-14) installieren. Sie können die 1-U-Gleitschienen entweder mit bündiger Montage oder mit Mittenmontage installieren.

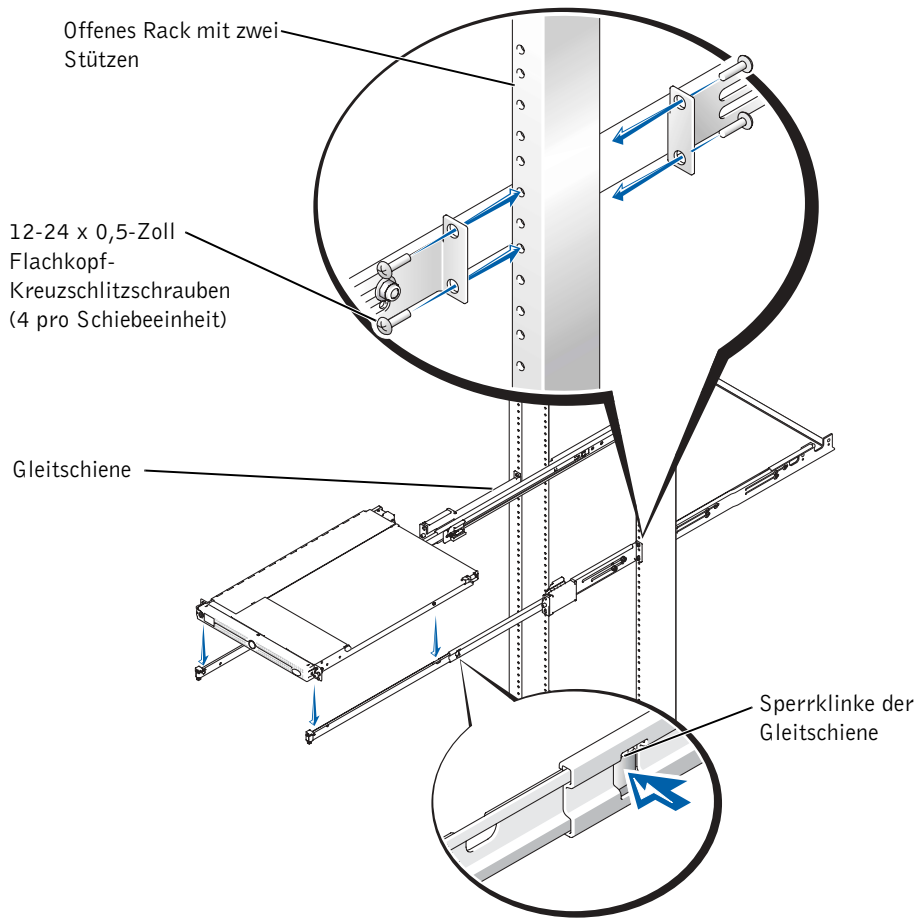
 **VORSICHT: Installieren Sie mit diesem Rack-Kit keine anderen Systeme. Verwenden Sie ausschließlich das für Ihr System konzipierte Rack-Kit. Wenn Sie das Rack-Kit für ein anderes System verwenden, könnte das System beschädigt und Sie selbst oder andere Personen verletzt werden.**

Mittenmontage

Im Lieferumfang des Zwei-Stützen-Rack-Kits sind Haltungen für eine Mittenmontage enthalten. Um die Montage abzuschließen, führen Sie folgende Schritte aus:

- 1 Drücken sie die hintere Halterung der rechten Gleitschiene nach hinten (siehe Abbildung 3-15).
- 2 Setzen Sie die rechte Gleitschiene an der markierten Stelle in das Zwei-Stützen-Rack ein, drücken Sie die hintere Halterung nach vorne gegen das vertikale Rack und befestigen Sie die vorderen und hinteren Halterungen für die Mittenmontage mit zwei 12-24 x 0,5-Zoll Flachkopf-Kreuzschlitzschrauben (siehe Abbildung 3-15).
- 3 Wiederholen Sie Schritt 1 und 2 für die Montage der linken Gleitschiene im Rack.

Abbildung 3-15. Montage der Gleitschienen für die Mittenmontage

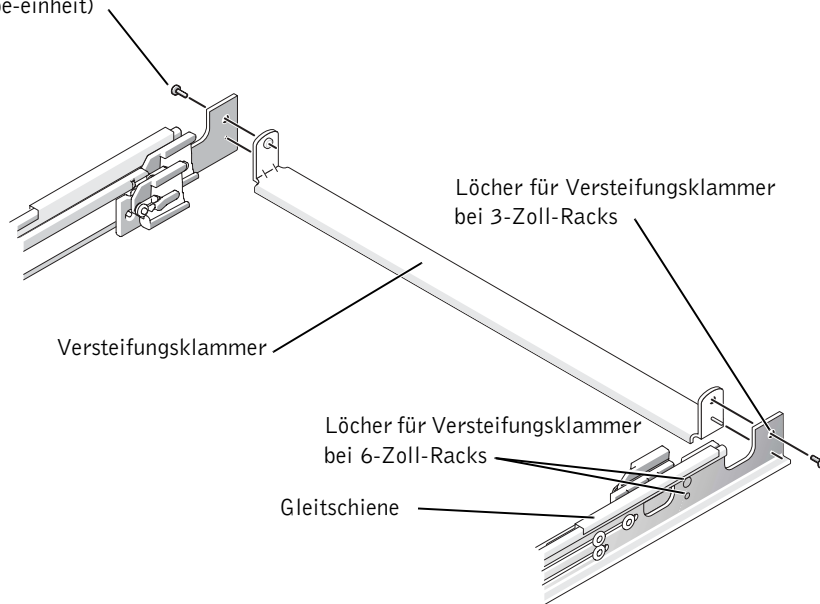


- 4 Führen Sie die Versteifungsklammer in die entsprechenden Löcher auf der Rückseite der Gleitschienen ein und sichern Sie die Klammer mit je einer 12-24 x 0,5-Zoll Flachkopf-Kreuzschlitzschraube an den Gleitschienen (siehe Abbildung 3-16).

Wenn das vertikale Rack 3 Zoll breit ist, verwenden Sie die Löcher auf der Rückseite der Gleitschienen (wie in Abbildung 3-16 gezeigt). Wenn das vertikale Rack 6 Zoll breit ist, verwenden Sie die Löcher 3 Zoll vor den Löchern am hinteren Ende der Gleitschienen.

Abbildung 3-16. Installation der Versteifungsklammer (in 3-Zoll breitem Rack)

12-24 x 0,5-Zoll Flachkopf-Kreuzschlitzschrauben (1 pro Schiebe-einheit)



Bündige Montage

Bei der Auslieferung ist das Rack-Kit mit zwei Stützen für Mittenmontage konfiguriert. Um die Gleitschienen für eine bündige Montage vorzubereiten, führen Sie folgende Schritte aus:

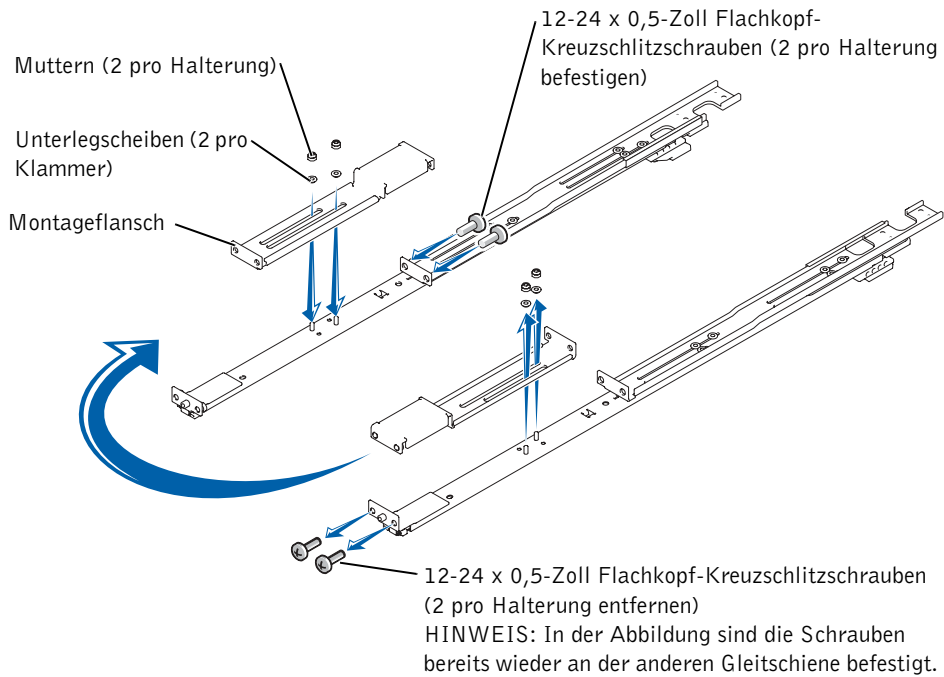
- 1 Legen Sie die beiden Gleitschienen nebeneinander auf eine glatte Arbeitsoberfläche, wobei die vorderen Enden der Gleitschienen zu Ihnen zeigen. Setzen Sie die beiden Gleitschienen so an, dass die Halterungen für die Mittenmontage nach oben zeigen (siehe Abbildung 3-17).



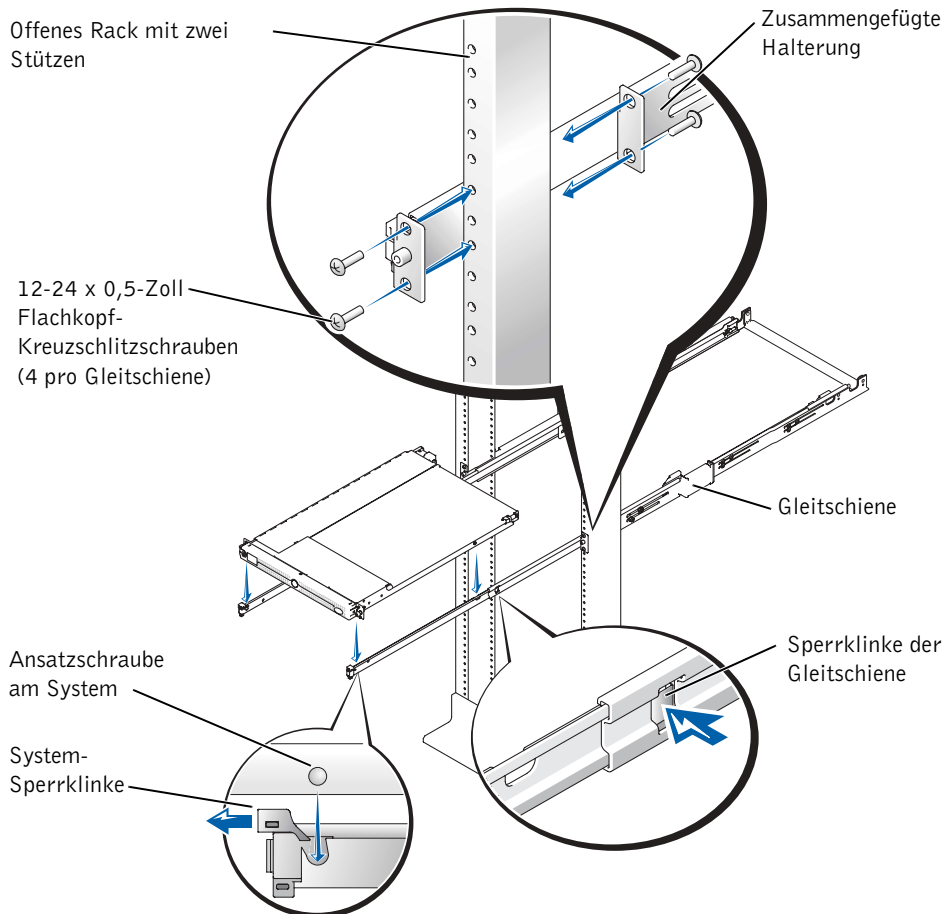
HINWEIS: Zur Vorbereitung der Gleitschienen für die bündige Montage entfernen Sie die vordere Montagehalterung, drehen sie um 180 Grad und montieren sie an der gegenüberliegenden Gleitschiene.

- 2 Entfernen Sie mit einem Kreuzschlitzschraubendreher Nr. 2 und einem 11/32 Schraubenschlüssel bzw. Steckschlüssel die beiden 12-24 x 0,5 Zoll Flachkopf-Kreuzschlitzschrauben, die beiden Muttern und die beiden Unterlegscheiben mit Bund von jeder vorderen Halterung für die Mittenmontage (siehe Abbildung 3-17).
- 3 Entfernen Sie die vordere Halterung von den beiden Gleitschienen.
- 4 Legen Sie die Halterung einer Gleitschiene auf die Gewindebolzen der gegenüberliegenden Gleitschiene, wobei die Halterung um 180 Grad gedreht wird, so dass der Montageflansch nach vorne zeigt (siehe Abbildung 3-17).
- 5 Ziehen Sie die vorderen Halterungen für die Mittenmontage mit den in Schritt 2 entfernten Muttern und Unterlegscheiben mit der Hand an der gegenüberliegenden Gleitschiene fest (siehe Abbildung 3-17).
Diese zusammengefügte Halterung dient nun als neue verlängerte hintere Halterung.
- 7 Wiederholen Sie die Schritte 4 bis 6 für die Montage der anderen Gleitschiene.

Abbildung 3-17. Drehen der vorderen Montagehalterung für bündige Montage



- 8 Halten Sie die linke Gleitschiene mit zwei Stützen an die markierte Stelle im Rack, stellen Sie die verlängerte hintere Halterung so ein, dass sie fest an der Rückseite des vertikalen Racks mit zwei Stützen anliegt und befestigen Sie sie mit zwei 12-24 x 0,5-Zoll Flachkopf-Kreuzschlitzschrauben (siehe Abbildung 3-18).


Abbildung 3-18. Einbau der Gleitschienen für die bündige Montage


- 9** Befestigen Sie die vordere Halterung der Gleitschiene mit zwei 12-24 x 0,5-Zoll Flachkopf-Kreuzschlitzschrauben an der Schiene mit zwei Stützen (siehe Abbildung 3-18).
- 10** Wiederholen Sie Schritt 8 und Schritt 9 für den Einbau der rechten Gleitschiene im Rack.
- 11** Ziehen Sie jetzt die zuvor nur mit der Hand angezogenen Muttern an den Montagehalterungen beider Gleitschienen mit einem 11/32-Zoll Schraubenschlüssel bzw. Steckschlüssel fest.

- 12** Führen Sie die Versteifungsklammer in die entsprechenden Löcher auf der Rückseite der Gleitschienen ein und sichern Sie die Klammer mit je einer 12-24 x 0,5-Zoll Flachkopf-Kreuzschlitzschraube an den Gleitschienen (siehe Abbildung 3-16).

Wenn das vertikale Rack 3 Zoll breit ist, verwenden Sie die Löcher auf der Rückseite der Gleitschienen (wie in Abbildung 3-16 gezeigt). Wenn das vertikale Rack 6 Zoll breit ist, verwenden Sie die Löcher 3 Zoll vor den Löchern am hinteren Ende der Gleitschienen.

Einbau des Systems im Rack

 **VORSICHT: Das System ist sehr groß und schwer, also darf es niemals durch eine Einzelperson montiert werden.**

 **HINWEIS:** Die Systeminstallation in einem Rack ist bei Stützeinschüben in bündiger und in Mittenmontage identisch.

- 1 Ziehen Sie die Gleitschienen bis zum Anschlag heraus.

 **VORSICHT: Das System ist sehr groß und schwer, also darf es niemals durch eine Einzelperson in den Gleitschienen montiert werden.**

- 2 Nehmen Sie die Frontblende des Systems ab.
 - a Entriegeln Sie den Verschluss.
 - b Drücken Sie auf die rechte und linke Zunge.
 - c Ziehen Sie die Blende vom System weg.
- 3 Heben Sie das System in Position (siehe Abbildung 3-18).
- 4 Heben Sie dabei das System mit einer Hand unter dem vorderen und mit der anderen unter dem hinteren Rand an.
- 5 Kippen Sie die Rückseite des Systems nach unten und bringen Sie die hinteren Ansatzschrauben auf den Seiten des Systems mit den hinteren Schlitzern der Gleitschienen in Übereinstimmung.
- 6 Setzen Sie die hinteren Ansatzschrauben in ihre jeweiligen Einbaupositionen ein.
- 7 Kippen Sie die Vorderseite des Systems nach unten und setzen Sie die vorderen Ansatzschrauben in die vorderen Einbaupositionen hinter der Sperrklinke des Systems ein (siehe Abbildung 3-18).

Die Sperrklinke des Systems bewegt sich daraufhin nach vorne und schnappt zurück, wenn die vordere Ansatzschraube in den vorderen Schlitz hineinrutscht.

Mithilfe dieser Sperrklinke können Sie das System aus den Gleitschienen entfernen.

- 8 Drücken Sie auf die Sperrklinken an den Seiten der Gleitschienen und schieben Sie das System vollständig ins Rack (siehe Abbildung 3-18).
- 9 Schrauben Sie das System mit den Rändelschrauben an der Gehäuse-Frontplatte des Racks fest.

Einbau des Kabelarms

Siehe dazu „Einbau des Kabelarms“ in „Montage eines Racks mit vier Stützen“.

Verlegen der Kabel

Siehe dazu „Verlegen der Kabel“ in „Montage eines Racks mit vier Stützen“.

Damit ist die Installation eines Rack-Kits in einem Rack mit zwei Stützen abgeschlossen.

Stichwortverzeichnis

A

Anschlagblöcke, 3-4, 3-5,
3-15, 3-20

E

Einbau

Gleitschienen für zwei
Stützen, 3-23

Kabelarm, 3-13, 3-30

RapidRails-Gleitschienen, 3-9

VersaRails-Gleitschienen,
3-10

Versteifungsklammer, 3-25

I

Inhaltsliste

RapidRails-Kit, 3-4

VersaRails-Kit, 3-5

Zwei-Stützen-Kit, 3-20

K

Kabel

Verlegen, 3-18, 3-30

Kabelarm

Einbau, 3-13, 3-30

Verlegen der Kabel, 3-18, 3-30

Kit-Inhalt

RapidRails, 3-4

VersaRails, 3-6

M

Markieren des Racks, 3-7

Zwei-Stützen-Kit, 3-21

R

Rack-Anforderungen für
VersaRails, 3-3

Rack-Einheit, 3-7

RapidRails-Kit, Inhalt, 3-4

S

Sicherheitshinweise, 3-1

Systeminstallation

Rack mit vier Stützen, 3-12

Rack mit zwei Stützen, 3-29

T

Türen

Entfernen, 3-6

Wiederanbringen, 3-19

V

Verlegen der Kabel, 3-17, 3-30

VersaRails

Kit-Inhalt, 3-5, 3-6

Rack-Anforderungen, 3-3

Versteifungsklammer, 3-25

Vertikale Schienen

Eine Rack-Einheit, 3-7

Markieren, 3-7

Vier-Stützen-Rack-Kit

Einbau des Kabelarms, 3-13

Markieren des Racks, 3-7

RapidRails-Kit, Inhalt, 3-4

Systeminstallation, 3-12

Verlegen der Kabel, 3-17

VersaRails-Kit, Inhalt, 3-5

Werkzeuge und Zubehör, 3-4

Vorsichtsmaßnahmen bei der
Rack-Montage, 3-3

W

Werkzeuge und Zubehör

Vier-Stützen-Rack-Kit, 3-4

Zwei-Stützen-Kit, 3-19

Z




Zwei-Stützen-Kit

Einbau der Gleitschienen,
3-23
Einbau des Kabelarms, 3-30
Markieren des Racks, 3-21
Systeminstallation, 3-29
Werkzeuge und Zubehör, 3-19

Dell™ システム

ラック取り付けガイド

メモ、注意および警告

-  **メモ**：メモは、コンピュータを使いやすくする為の重要な情報を説明しています。
-  **注意**：注意は、ハードウェアの損傷やデータの損失の可能性あることを示し、その危険を回避するための方法を説明しています。
-  **警告**：警告は、物的損害、けが、または死亡の原因となる可能性があることを示します。

ここに記載されている内容は予告なく変更されることがあります。
©2002 すべての著作権は Dell Computer Corporation にあります。

Dell Computer Corporation の書面による許可のない複写は、いかなる形態においても厳重に禁じられています。

本書で使用されている商標について：Dell、DELL のロゴ、VersaRails、および RapidRails は、Dell Computer Corporation の商標です。

本書では、必要に応じて上記記載以外の商標および会社名が使用されている場合がありますが、これらの商標や会社名は、一切 Dell Computer Corporation に所属するものではありません。

目次

警告：安全にお使いいただくために	4-1
システムのラックへの取り付け	4-1
取り付け手順	4-2
VersaRails のラック要件	4-3
4 柱型ラックの取り付け	4-3
はじめに	4-3
推奨する工具および備品	4-4
RapidRails ラックキットの内容	4-4
VersaRails ラックキットの内容	4-4
取り付け手順	4-5
ラック扉の取り外し	4-5
ラックへの印付け	4-6
RapidRails スライドアセンブリの取り付け	4-7
VersaRails スライドアセンブリの取り付け	4-9
ラックへのシステムの取り付け	4-11
ケーブル処理アームの取り付け	4-12
ケーブルの配線	4-16
ラックの扉の取り付け	4-17
2 柱型ラックの取り付け	4-18
推奨する工具および備品	4-18
ラックキットの内容	4-18
2 柱型ラックの取り付け手順	4-19
ラックへの印付け	4-19
ラックへのスライドアセンブリの取り付け	4-21
ラックへのシステムの取り付け	4-26
ケーブル処理アームの取り付け	4-27
ケーブルの配線	4-27

索引



図 4-1.	RapidRails ラックキットの内容	4-4
図 4-2.	VersaRails ラックキットの内容	4-5
図 4-3.	1 ラックユニット (1 U)	4-6
図 4-4.	垂直レールの印付け	4-7
図 4-5.	RapidRails スライドアセンブリの取 り付け	4-9
図 4-6.	VersaRails スライドアセンブリの取 り付け	4-10
図 4-7.	システムのラックへの取り付け (RapidRails または VersaRails)	4-12
図 4-8.	ケーブル処理アームの取り付け	4-13
図 4-9.	ワイヤカバーの開き方	4-15
図 4-10.	電源コードストレーンリリーフの取 り付け	4-16
図 4-11.	ケーブルの配線	4-17
図 4-12.	2 柱型ラックキットの部品	4-19
図 4-13.	2 柱型オープンフレームリレーラックのユ ニバーサル間隔の穴	4-20
図 4-14.	2 柱型オープンフレームリレーラックのワ イド間隔の穴	4-20
図 4-15.	センターマウント構成でのスライドアセン ブリの取り付け	4-22
図 4-16.	補強ブラケットの取り付け (3 インチラッ クの場合)	4-23
図 4-17.	フラッシュマウントでの前部取り付けブラ ケットの回転	4-24
図 4-18.	フラッシュマウント構成でのスライドアセ ンブリの取り付け	4-25


警告：安全にお使いいただくために

ご自身の身体の安全を守り、システムおよび作業環境を保護するために、以下の安全に関するガイドラインに従ってください。安全に関する完全な情報については『システム情報ガイド』を参照してください。


システムのラックへの取り付け

ラックの安定性や安全性に関して、次の点にご注意ください。


システムはラックの一部とみなします。したがって、「部品」には、さまざまな周辺機器やサポートハードウェアと同様に、システムも含まれます。

 **警告：ラック前面および横の安定板を取り付けずにシステムを取り付けると、場合によってはラックが転倒し、けがをする恐れがあります。したがって、必ず安定板を取り付けてからラックに部品を取り付けてください。**

ラックにシステム部品を取り付けた後は、一度に 2 台以上の部品をスライドアセンブリから引き出さないでください。重みでラックが転倒し、けがをする恐れがあります。

 **メモ：**ご使用のシステムは、独立型のユニットとして、また、カスタマラックキットで構成される Dell™ ラックキャビネットに取り付ける部品として、その安全性が保証されています。システムおよびラックキットを Dell 以外のメーカーのラックキャビネットに取り付ける場合は、安全性が保証されていません。最終的に組み合わせたシステムおよびラックについては、ユーザーの責任において、適用される安全基準および地域の電気規約の要件に適合することを確認してください。Dell では、このような組み合わせに関連するいかなる責任および保証も負いません。

- システムラックキットは、トレーニングを受けたサービス技術者がラックに取り付けます。キットを別のラックに取り付ける場合は、そのラックが Dell のラック仕様に適合していることを確認してください。

 **警告：大型ラックを 1 人で移動しないでください。ラックの高さと重さを考慮して、少なくとも 2 人以上でラックを移動することをお勧めします。**

- ラックを移動する前に、安定板がラックに固定されて床面に伸び、ラックの全重量が床面にかかっていることを確認してください。ラックを移動する前に、ラックが 1 つの場合は前面と横の安定板、複数の組み合わせられたラックの場合は前面の安定板を取り付けます。
- ラックには必ず下から上の順に、最も重いものから設置します。
- 部品をラックから引き出す前に、ラックが平行で安定していることを確認してください。

警告：安全にお使いいただくために（続き）

- 部品のレールリリースラッチを押して部品をラックから出し入れするときは、注意して行ってください。スライドレールに指をはさまれる場合があります。
- 部品をラックに設置したら、レールをロック位置に静かに伸ばし、部品をラックの中にスライドします。
- ラックに電力を送る AC 分岐回路に過重電流を流さないでください。ラックの総負荷が分岐回路定格の 80% を超えないようにしてください。
- ラックの部品に空気が十分に送られていることを確認します。
- ラックの他のシステムでの作業中に、部品の上に乗ったり、立ったりしないでください。

取り付け手順

この取り付けガイドは、トレーニングを受けたサービス技術者が、ラックキャビネットやオープンフレームリレーラックに 1 台または複数のシステムを取り付ける作業を行うための手順書です。RapidRails™ ラックキットは、工具を使わずにすべてのメーカーのラックキャビネットに取り付けることができます。VersaRails™ ラックキットは、業界規格に適合しているほとんどのラックキャビネットに取り付けることができます。RapidRails および VersaRails ラックキットの取り付け手順はほとんど同じです。ラックキャビネットに取り付けるシステム 1 基ごとにラックキット 1 セットが必要です。

このガイドには、以下のラックキットを取り付ける手順が説明されています。

- RapidRails キット（4 柱型ラックキャビネットへの取り付け）
- VersaRails キット（4 柱型ラックキャビネットへの取り付け）
- 2 柱型キットの取り付け（センターマウントまたはフラッシュマウントのどちらの構成でも取り付け可能）

ラックキットによっては、トラブルシューティングとシステムの状態確認を容易に行えるように、ステータスインジケータケーブルアセンブリが付属しています。このアセンブリは、前面パネルと背面パネルの 2 色のステータスインジケータの情報をケーブル処理アームの背面まで延長するためのものです。このインジケータの詳細については、『ユーザーズガイド』を参照してください。

取り付けを開始する前に、このマニュアルを最後までよくお読みください。



警告：別のシステム用に設計されたラックキット部品は取り付けないでください。ご使用のシステム用のラックキットのみをお使いください。別のシステム用のラックキットを使用すると、システムが損傷し、ご自身や作業者がけがをする恐れがあります。

VersaRails のラック要件



注意：VersaRails ラックキットは、米国規格協会（ANSI） / 米国電子工業会（EIA）規格 ANSI/EIA-310-D-92、国際電気標準会議（IEC）297、ドイツ工業規格（DIN）41494 の仕様を満たすラックについてトレーニングを受けたサービス技術者が取り付けられるように設計されています。ラックキットは、ラックに取り付けられているシステム 1 基につき 1 セットずつ必要です。

4 柱型ラックの取り付け

以下の取り付けを開始する前に、手順を最後までよくお読みください。

はじめに

システムをラックへ取り付ける前に、「安全におつかいただくために」およびお使いのシステムの『システム情報』マニュアルの安全上の注意をよくお読みください。



警告：複数のシステムをラックに取り付ける場合は、1 基のシステムの手順を完了してから、次のシステムの取り付けに進んでください。



警告：ラックキャビネットはサイズが非常に大きく重量もあるため、キャストで簡単に移動できるようになっています。このキャストにはブレーキがないため、ラックキャビネットを移動するときは十分な注意が必要です。ラックキャビネットを別の場所に移動するときは、水平調節用の脚を収納してください。傾斜面や急な勾配のある場所、スロープなど、バランスが取りにくい場所にはキャビネットを設置しないでください。水平調節用の脚を伸ばしてキャビネットを支え、キャビネットが倒れないようにしてください。



メモ：システム自体を取り付ける手順については、「システムのラックへの取り付け」を参照してください。

安全に関する重要な注意

システムをラックに取り付けるときは、次の各項の安全に関する注意を遵守してください。



警告：作業者は、自分自身と関係者を保護するために、本書の手順に必ず従ってください。本システムは非常に重量があり大きいため、自分自身や関係者のけがを防ぐために準備と計画を適切に行うことが重要です。これは、特にシステムをラックの高い位置に取り付ける場合に重要になります。

推奨する工具および備品

4 柱型ラックキャビネットにシステムを取り付けるには、次の工具と備品が必要です。

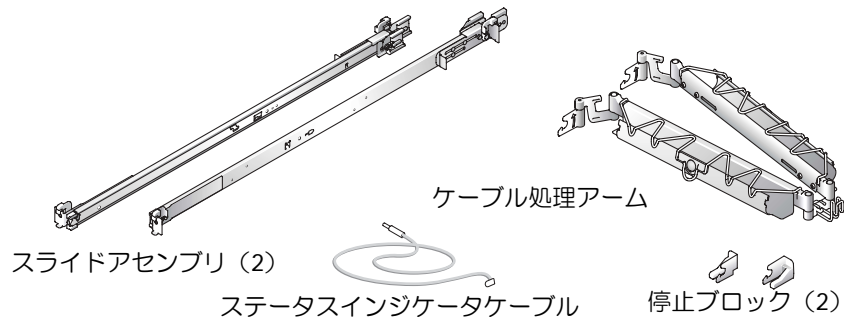
- #2 プラスドライバー
- マスキングテープまたはフェルトペン（取り付け穴に印を付けるときに使用）

RapidRails ラックキットの内容

RapidRails ラックキットには、以下の部品が含まれています（図 4-1 参照）。

- RapidRails スライドアセンブリ 1 組
- ケーブル処理アーム 1 本
- 停止ブロック 2 個（左右）
- ステータスインジケータケーブルアセンブリ 1 本
- 取り外し可能タイラップ（図 4-1 には記載なし）

図 4-1. RapidRails ラックキットの内容



VersaRails ラックキットの内容

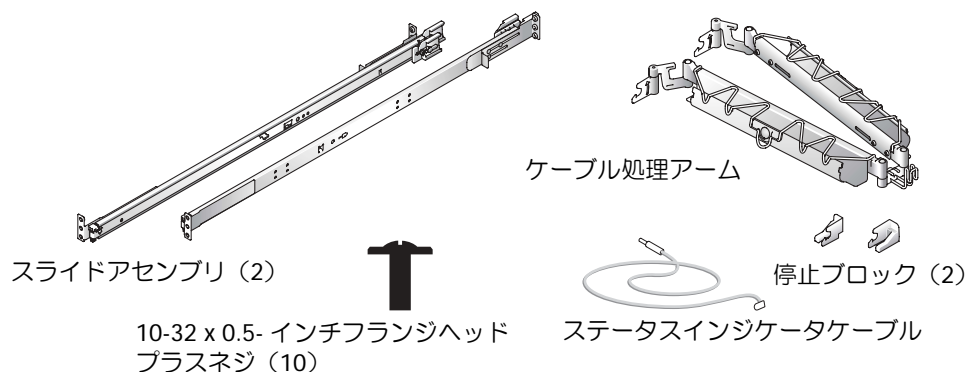
VersaRails ラックキットには、以下の部品が含まれています（図 4-2 参照）。

- VersaRails スライドアセンブリ 1 組
- ケーブル処理アーム 1 本
- 停止ブロック 2 個（左右）
- ステータスインジケータケーブルアセンブリ 1 本
- 10-32 x 0.5 インチフランジヘッドプラスネジ 10 本

- 取り外し可能タイラップ（図 4-2 には記載なし）

メモ：図と手順に示されているメートル法規格外のネジは、サイズとインチあたりのネジ山数で表記されています。たとえば 1 インチに 32 個のネジ山がある #10 プラスネジは、10-32 ネジと表記します。

図 4-2. VersaRails ラックキットの内容



取り付け手順

ラックキットを取り付けるには、次の手順を番号順に行います。

- 1 ラックの扉の取り外し
- 2 ラックへの印付け
- 3 スライドアセンブリのラックへの取り付け
 - RapidRails スライドアセンブリ
 - VersaRails スライドアセンブリ
- 4 ラックへのシステムの取り付け
- 5 ケーブル処理アームの取り付け
- 6 ケーブルの配線
- 7 ラックの扉の取り付け

ラック扉の取り外し

ラックキャビネットに同梱のマニュアルに記載されている扉の取り外し手順を参照してください。

警告：ラックキャビネットの扉の大きさと重さを考慮して、取り付けまたは取り外しは 1 人では行わないでください。

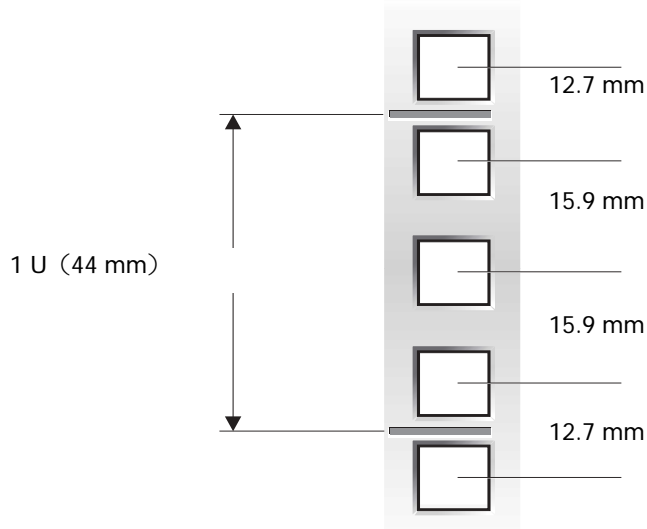
警告：取り外した扉は、不意に倒れてけがをしないような場所に保管してください。

ラックへの印付け

ラックに取り付ける各システムの上下には、1 U (44mm) の空間を空ける必要があります。EIA-310 規格を満たすラックキャビネットには、1 ラックユニット (1 U) ごとに 3 つの穴が交互に並んでいます。穴の中心から中心まで距離は、前面および背面垂直レールの 1 U スペースの一番上の穴から計測して 15.9 mm、15.9 mm、12.7 mm となっています (図 4-3 参照)。ラックキャビネットの穴には丸型または角型があります。

メモ：垂直レールには、1 U 間隔の水平の線と数字で印が付いていることがあります。この目盛りの数字をメモして作業を進めることもできます。ラックに印を付けたりテープを貼る作業は必須ではありません。「RapidRails スライドアセンブリの取り付け」に進んでください。

図 4-3. 1 ラックユニット (1 U)



警告：複数のシステムを取り付ける場合は、ラックの最下段に 1 基目のシステムを取り付けられるように、スライドアセンブリを取り付けてください。

ラックに印を付けるには、次の手順を行います。

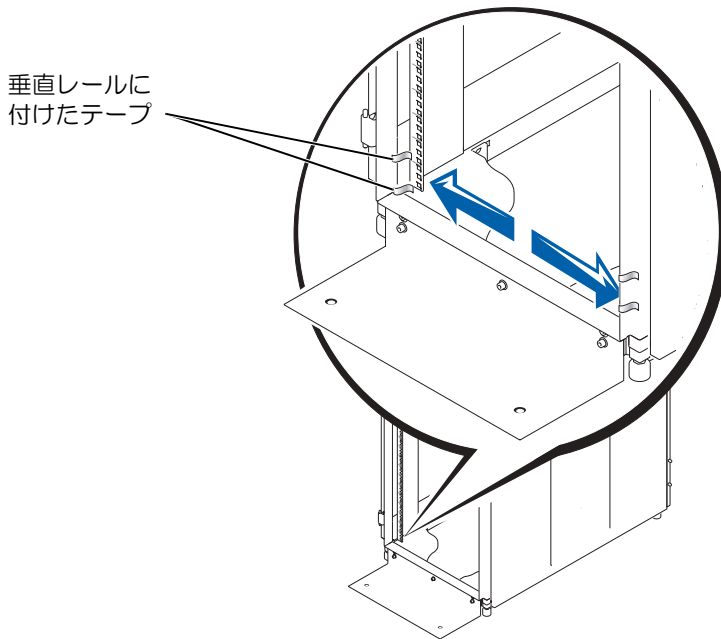
- 1 ラックの前面垂直レール上で、ラックキャビネットに取り付けるシステムの底部の位置を決め、印を付けます。

各 1 U スペースの底部は、レールの穴の間隔が一番狭い部分の真ん中になります（ラックキャビネットによっては水平なラインが刻まれている場合があります。図 4-3 参照）。

- 2 最初に印を付けた場所から 44 mm 上（あるいは EIA-310 規格に適合したラックであれば、ラックの穴を上から 3 つ数えた場所）を決め、フェルトペンまたはマスキングテープを使ってラックの前面垂直レールに印を付けます（穴を数えた場合は一番上の穴の真上に印を付ける）。

このマークまたはテープが、垂直レール上でシステムの上端が来る位置になります（図 4-4 参照）。

図 4-4. 垂直レールの印付け



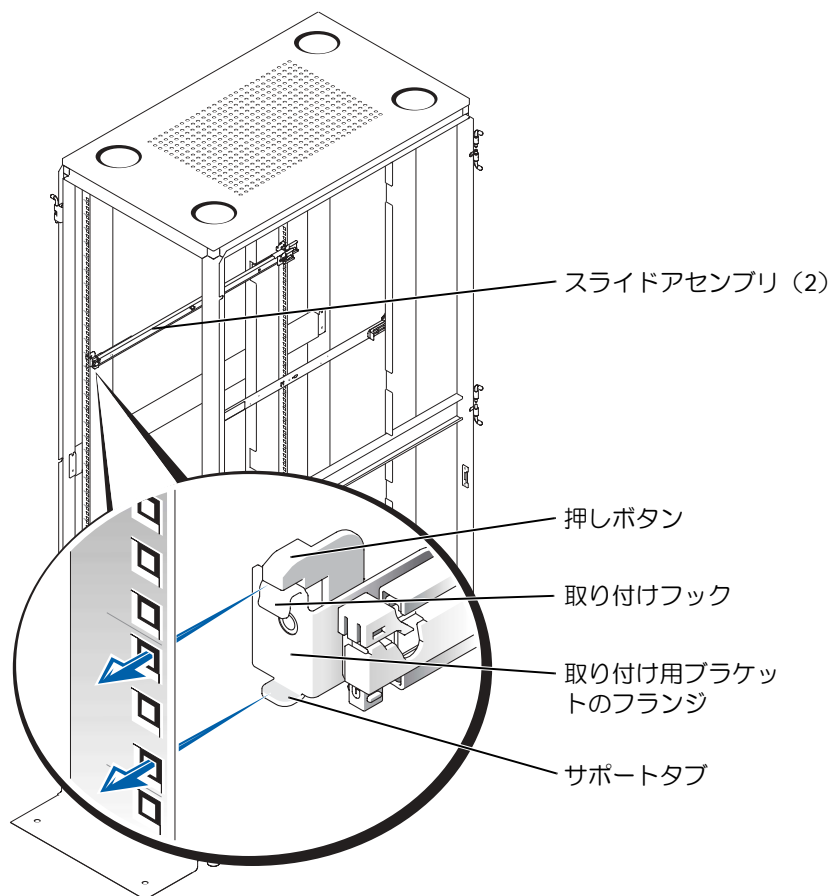
RapidRails スライドアセンブリの取り付け

- 1 ラックキャビネットの前面で、RapidRails スライドアセンブリの取り付け用ブラケットのフランジが、ラックに付けた印やテープの間のスペースに収まるように、1 つ目のスライドアセンブリの位置を合わせます（図 4-5 参照）。

スライドアセンブリの前部取り付けブラケットフランジの取り付けフックが、垂直レールに付けた印の間が一番上の穴に入ります。

- 2 スライドアセンブリを前面側に押し、取り付けフックを垂直レールの角形の穴にそれぞれ挿入し、取り付け用ブラケットのフランジを下に押し、取り付けフックを正方形の穴にはめ込みます。完全にはまると、プッシュボタンがカチッと飛び出します。
- 3 キャビネットの背面で、取り付けブラケットのフランジを後ろに引いて、取り付けフックを対応する角形の穴に差し込み、次に取り付けブラケットのフランジを下に押し、取り付けフックを角形の穴に固定します。完全にはまると、プッシュボタンがカチッと飛び出します。
- 4 ラックの反対側にあるもう 1 つのスライドアセンブリについて、手順 1 から 3 を繰り返します。
- 5 左右の垂直レールで、取り付け用レールが同じ位置に取り付けられていることを確認します。

図 4-5. RapidRails スライドアセンブリの取り付け



ラック前面

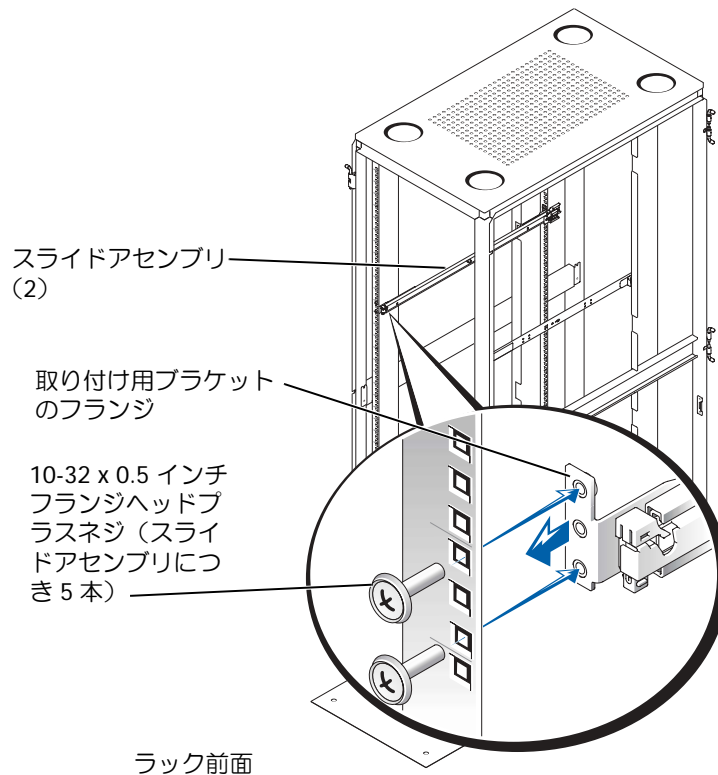
VersaRails スライドアセンブリの取り付け

- 1 ラックキャビネットの前面で、2 個の VersaRails スライドアセンブリのいずれかを持ち、ラックの印やテープの間のスペース（またはメモした目盛りの位置）に取り付け用ブラケットのフランジが収まるようにセットします（図 4-6 参照）。

取り付けブラケット前部にある 3 つの穴を、前面垂直レールに付けた印の間にある 3 つの穴に合わせます。

- 2 2本の10-32 x 0.5インチフランジヘッドプラスネジを、取り付けフランジの一番上と一番下の穴に取り付け、スライドアセンブリを前面垂直レールに固定します (図 4-6 参照)。
- 3 キャビネットの背面から、取り付けブラケットのフランジを後ろに引いて、取り付け穴を背面垂直レールのそれぞれ対応する穴に合わせます。
- 4 3本の10-32 x 0.5インチフランジヘッドプラスネジを後部取り付け穴に取り付け、スライドアセンブリを背面垂直レールに固定します。

図 4-6. VersaRails スライドアセンブリの取り付け




- 5 ラックの反対側にあるもう 1 つのスライドアセンブリについて、手順 1 から手順 4 を繰り返します。
- 6 スライドアセンブリが、ラック両側の垂直レールの同じ位置に取り付けられていることを確認します。

ラックへのシステムの取り付け

 **警告：**複数のシステムを取り付ける場合は、1 基目のシステムをラックの最下段の位置に取り付けてください。

 **警告：**一度に複数の部品をラックから引き出さないでください。

- 1 2本のスライドアセンブリを、ラックから完全に伸びきった位置でロックするまで引き出します。

 **警告：**システムの大きさと重さを考慮して、システムのスライドアセンブリへの取り付けは決して1人で行わないでください。

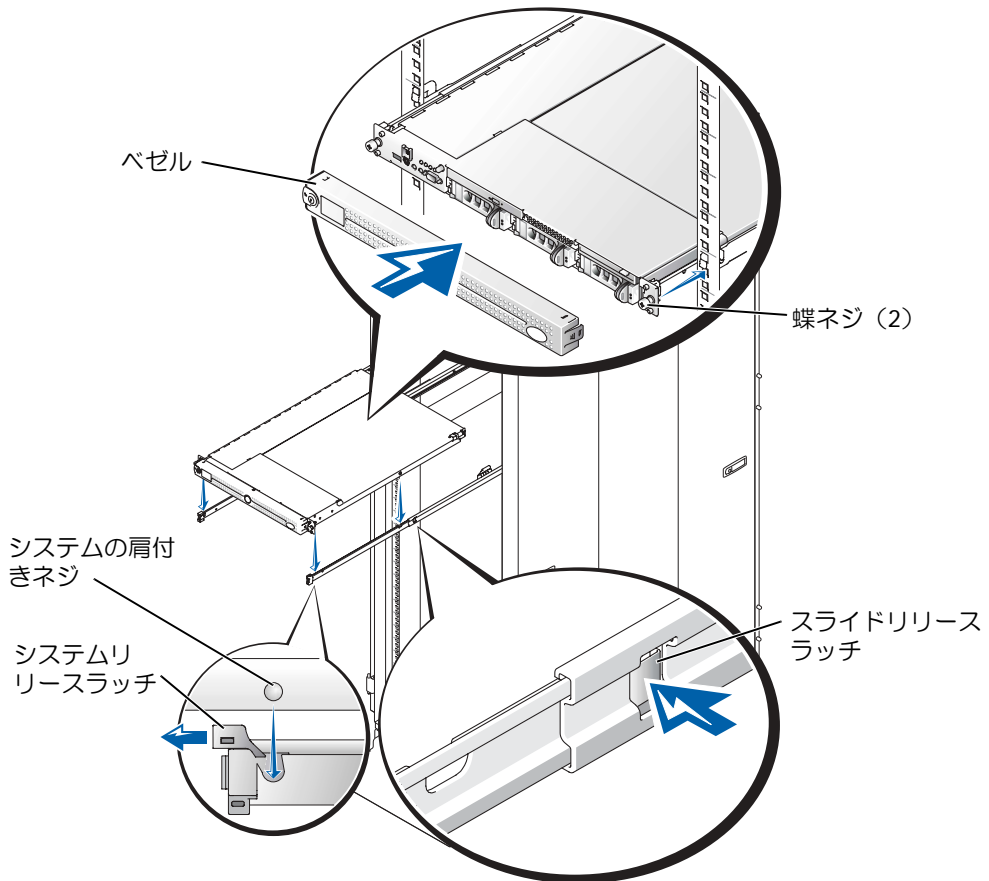
- 2 システムの前面ベゼルを取り外します。
 - a キーロックを解除します。
 - b 右端と左端のタブを押します。
 - c ベゼルの引っ張り、システムから取り外します。
- 3 引き伸ばしたスライドの前面の位置までシステムを持ち上げます。
- 4 片方の手をシステム前面の下に、もう片方の手をシステム背面の下に置きます。
- 5 システムの側面にある後部肩付きネジを、スライドアセンブリの背面スロットに合わせながら、システム背面を下に傾けます。
- 6 後部肩付きネジをスロットにはめ込みます。
- 7 システム前面を下げ、システムリリースラッチの後ろにある前面スロットに前部肩付きネジをはめ込みます (図 4-7 参照)。

肩付きネジを前部スロットに差し込むと、システムリリースラッチが前に移動します。ネジが正しくはまると、ラッチが元の位置に戻ってカチッと固定されます。

システムをスライドアセンブリから取り外すときは、このシステムリリースラッチを使用します。

- 8 左右のスライドリリースラッチの側面にあるスライドリリースラッチを押し、システムを完全にラックへ収納します (図 4-7 参照)。
- 9 前面パネルの両側にある拘束蝶ネジを差し込んで締め付け、システムをラックに固定します。

図 4-7. システムのラックへの取り付け (RapidRails または VersaRails)



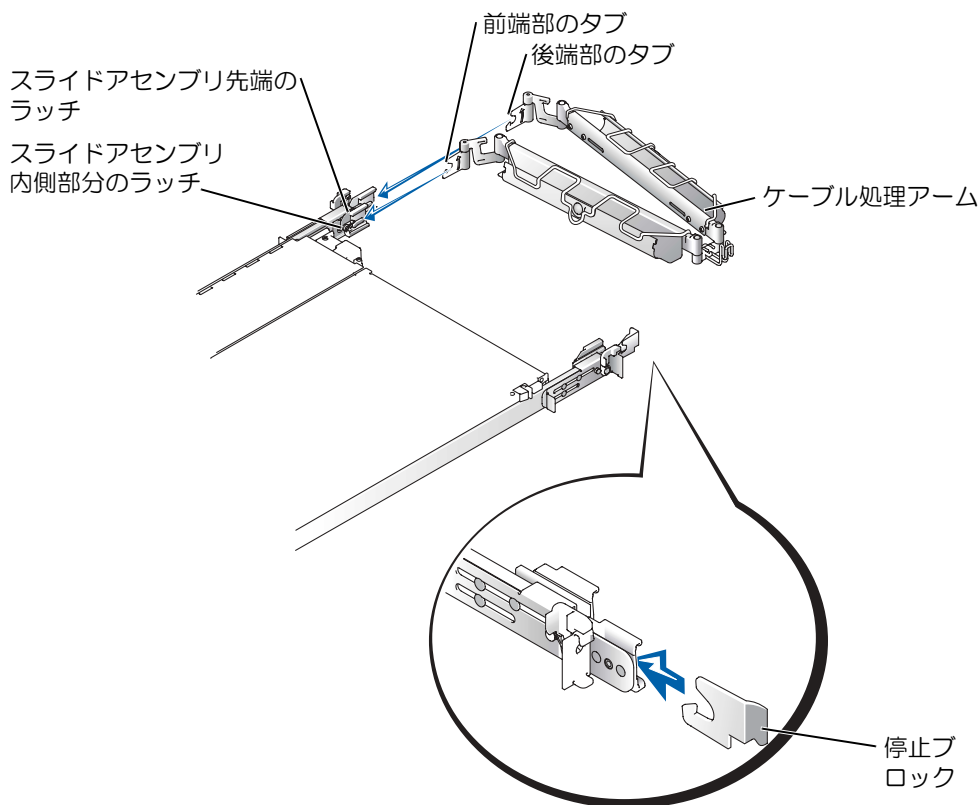
ケーブル処理アームの取り付け

- ⓘ **注意:** ケーブル処理アームは左右どちら向きでも使用できます。ここでは、ケーブル処理アームをキャビネットの背面から見て右側に取り付ける場合を説明します。ラックに複数のシステムを取り付ける場合は、ケーブルの配線を容易にするために、ケーブル処理アームをラックの左右交互に取り付けることをお勧めします。

システム背面にケーブル処理アームを取り付けるには、次の手順を実行します。

- 1 ラックキャビネットの背面から、背面垂直レールに固定した右側のスライドアセンブリの先端にあるラッチを探します。
- 2 ケーブル処理アームの後部パーツのタブを、スライドアセンブリの端のラッチに差し込みます (図 4-8 参照)。
ラッチがロックされると、カチッという音がします。
- 3 ケーブル処理アームの前部パーツのタブを、スライドアセンブリの内側のラッチに差し込みます (図 4-8 参照)。
ラッチがロックされると、カチッという音がします。

図 4-8. ケーブル処理アームの取り付け



- 4 停止ブロックをスライドアセンブリの反対側の端のラッチに取り付けます（図 4-8 参照）。

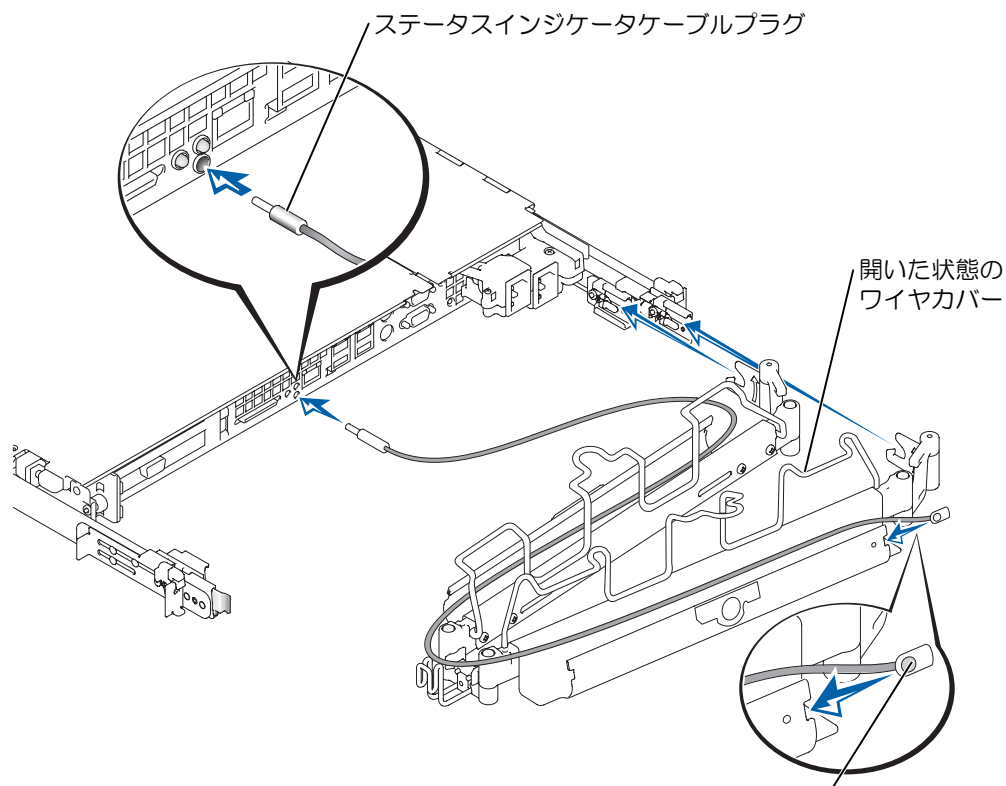
停止ブロックは、ケーブル処理アームが逆方向に動かないようにし、また配線されたケーブルの重みを加えたアームの重量を支えます。

ラックキットには、右側取り付け用と左側取り付け用の 2 個の停止ブロックが同梱されています。取り付け方向に合わせて使用してください。

- 5 ステータスインジケータケーブルをコネクタに差し込みます。
- 6 ケーブル処理アームのワイヤカバーを開きます。まず、前部パーツの正面の丸いボタンで固定されているワイヤを中央部分から開き、後部パーツの同じような丸いボタンで固定されているワイヤを開きます。

ワイヤカバーが自動的に開き、アーム内にケーブルを配線できるようになります。

図 4-9. ワイヤカバーの開き方




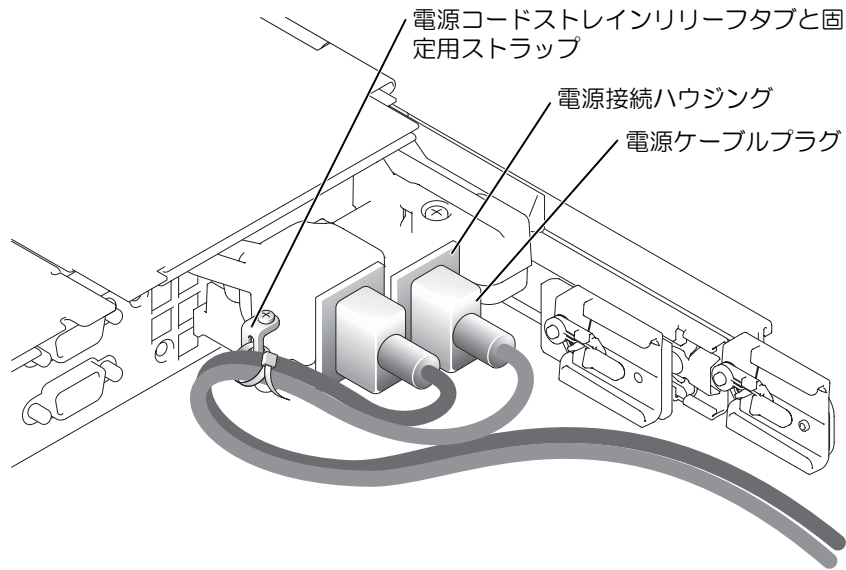
- 7 ケーブルアセンブリのステータスインジケータの端をケーブル処理アームを通し、ケーブル処理アームの後部パーツにあるスロットに取り付けます (図 4-9 参照)。
- 8 電源コードを背面パネルの接続端子に接続します。
-  **注意:** 付属のストレインリリーフは曲げ半径 19 mm 以下の電源コードまで対応可能ですが、システムに付属の電源コード以外は使用しないことをお勧めします。
- 9 タイラップをストレインリリーフタブのスロットに通して取り付けます (図 4-10 参照)。
- 10 電源コードを電源接続ハウジングから急なカーブを描くように後ろに曲げ、曲げた電源コードにストレインリリーフタイラップを緩めに巻き付けます (図 4-10 参照)。

図 4-10. 電源コードストレインリリーフの取り付け



ケーブルの配線

- 1 I/O ケーブルコネクタを、システム背面のそれぞれのコネクタに接続します。

ケーブル接続の詳細については、システムの『Installation and Troubleshooting Guide』と『ユーザズガイド』を参照してください。

- 2 緩く取り付けした 4 本の取り外し可能タイラップ（ケーブル処理アームの中央に 2 本と両端）を使用して、電源ケーブルと I/O ケーブルをケーブル処理アームの中に配線します。この時点では、タイラップをきつく締めないでください（図 4-11 参照）。

ケーブルの損傷を防ぐため、ケーブルはケーブル処理アームの中で多少たるませておきます。

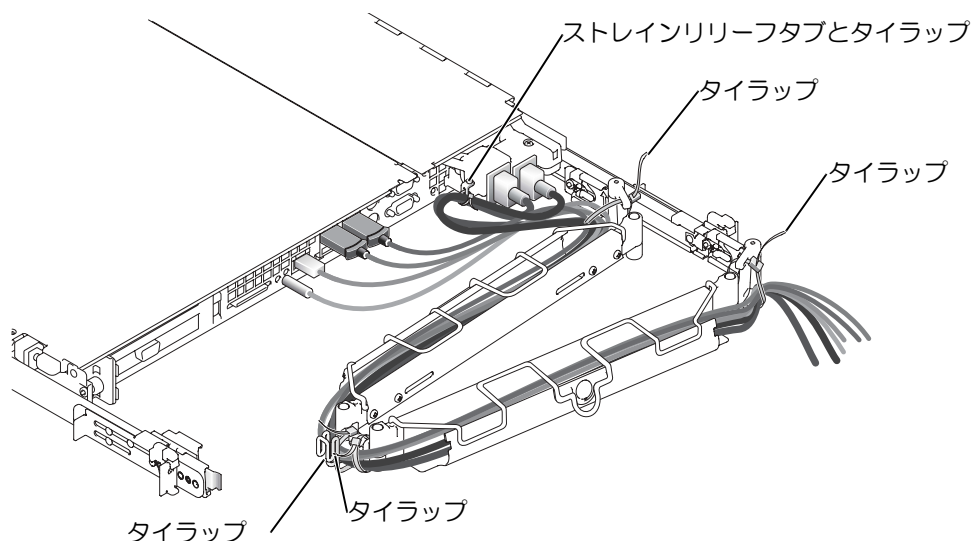
- 3 ケーブルをケーブル処理アームに固定します。
 - a ケーブルをシステムに接続したら、システム前面を前面垂直レールに固定している蝶ネジを緩めます。
 - b システムを前方にスライドして完全に引き出します。

- c ケーブル処理アーム内にケーブルを配線し、蝶つがいの位置でのケーブルのたるみを調整してから、取り外し可能タイラップとケーブル処理アームのワイヤカバーでケーブルをアームに固定します。

メモ：アームが完全に伸びきる位置までシステムを引き出すと、スライドアセンブリはその位置でロックします。システムをラック内に戻すには、スライドの両側にあるスライドリリースラッチを押しながら、システムをスライドさせて完全にラックの中に戻します。

- 4 システムをラックから引き出しラックに押し戻して、ケーブルが正しく取り付けられているか、ケーブル処理アームの動きでケーブルが絡まったり、引きつったり、締め付けられなかったりしないか確認します。
- 5 ケーブルの張りがきつすぎたり緩すぎる場合は、必要に応じて張りを調節し、システムをラックから出し入れしてもケーブルがずれないようにします。

図 4-11. ケーブルの配線



ラックの扉の取り付け

ラックキャビネットに同梱のマニュアルに記載されている扉の取り付け手順を参照してください。


警告：ラックキャビネットの扉の大きさと重さを考慮して、取り付けまたは取り外しは1人では行わないでください。

これで4柱型ラックキャビネットへのシステムの取り付けは完了です。

2 柱型ラックの取り付け

2 柱型ラックキットは、電気通信機器設備などで使用される 2 柱型オープンフレームリレーラックにシステムを取り付けるために使用します。3 インチおよび 6 インチ幅 2 柱型ラック（取り付け穴の間隔はユニバーサルまたはワイド）に対応しています。このキットは、センターマウントまたはフラッシュマウントのどちらの構成にも取り付けられます。2 柱型キットに入っているスライドアセンブリを使用すると、システムを引き出してサービスを行えます。

2 柱型オープンフレームリレーラックは、床面、天井、壁の上部、あるいは隣接するラックに正しく固定する必要があります。固定する際は、ラックの製造元が指定する固定具や産業規格に適合した床面固定具または壁面固定具を使用してください。この取り付け作業を行う前に、2 柱型オープンフレームリレーラックの製造元が提供する取り付けマニュアルを参照して、取り付けに関する注意事項を確認してください。

 **警告：**正しい位置にしっかりと固定されていない 2 柱型オープンフレームリレーラックには、システムを取り付けしないでください。システムの損傷や作業者および関係者のけがを招く恐れがあります。

ラックの取り付けに関するその他の安全情報については、このマニュアルの最初にある「安全にお使いいただくために」を参照してください。

推奨する工具および備品

2 柱型リレーラックにシステムを取り付けるには、次の工具と備品が必要です。

- #2 プラスドライバ
- 11/32 インチレンチまたはナットドライバ（ブラケットをフラッシュマウント構成に変更する場合）
- 取り付け穴に印を付けるために使用するマスキングテープまたはフェルトペン

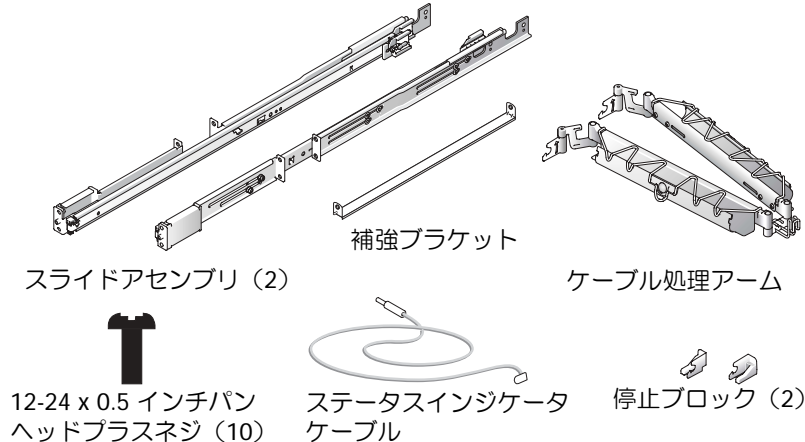
ラックキットの内容

2 柱型ラックキットの付属品は次のとおりです（図 4-12 参照）。

- スライドアセンブリ（2 柱型）1 組
- 補強ブラケット 1 本
- ケーブル処理アーム 1 本
- 停止ブロック 2 個

- ステータスインジケータケーブルアセンブリ 1 本
- 12-24 x 0.5 インチプラスなベネジ 10 本
- 取り外し可能タイラップ (図 4-12 には記載なし)

図 4-12. 2 柱型ラックキットの部品



2 柱型ラックの取り付け手順

2 柱型ラックキットを取り付けるには、次の手順を番号順に行います。

- 1 ラックへの印付け
- 2 スライドアセンブリのラックへの取り付け
 - センターマウント
 - フラッシュマウント
- 3 ラックへのシステムの取り付け
- 4 ケーブル処理アームの取り付け
- 5 ケーブルの配線

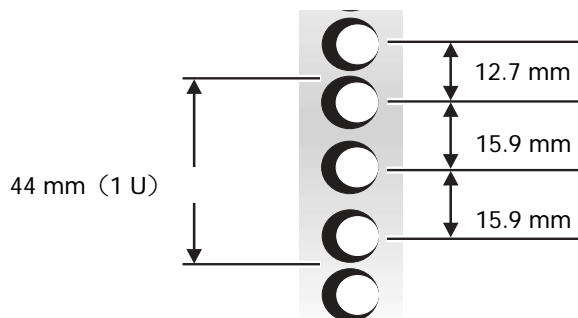
ラックへの印付け

2 柱型ラックに取り付ける各システムごとに、1 U (44mm) の高さの空間が必要です。

ユニバーサル間隔で穴があるラック

産業規格に適合している 2 柱型ラック（ユニバーサル間隔）には、1 ラックユニット（1 U）ごとに 3 つの穴が交互に並んでいます。穴の中心から中心まで距離は、前面および背面の垂直支柱の 1 U スペースの一番上の穴から計測して 15.9 mm、15.9 mm、12.7 mm となっています（図 4-13 参照）。

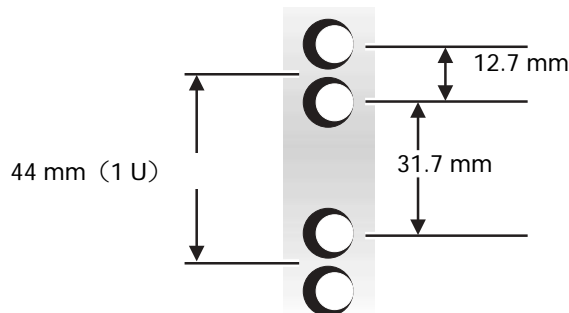
図 4-13. 2 柱型オープンフレームリレーラックのユニバーサル間隔の穴



ワイド間隔で穴があるラック

一部の 2 柱型ラック（ワイド間隔）には、1 U ごとに 2 つの穴が交互に並んでいます。穴の中心から中心までの距離は、垂直支柱の 1 U スペースの一番上の穴から計測して 31.7 mm、12.7 mm となっています（図 4-14 参照）。


図 4-14. 2 柱型オープンフレームリレーラックのワイド間隔の穴



ラックに印を付けるには、次の手順を行います。


- 1 前面垂直レール上で、2 柱型ラックに取り付けるシステムの底部の位置を決め、印を付けます。

1 U スペースの底部は、レールの穴の一番間隔が狭い部分の真ん中になります。

 **メモ：**ワイド間隔で穴があるラックの場合は、手順 3 に進みます。

- 最初に印を付けた場所から 44 mm 上（あるいはユニバーサル間隔で穴があるラックでは、ラックの穴を上から 3 つ数えた場所）に印を付けます（図 4-13 参照）。

ユニバーサル間隔で穴があるラックの垂直方向の各 1 U の空間には、穴の中心間隔が 15.9、15.9、12.7 mm の間隔（1 U 空間の一番上から測って）で 3 つの穴があります（図 4-13 参照）。


 **メモ：**ユニバーサル間隔で穴があるラックの場合、ラックの印付け手順はこれです。

- 最初に印を付けた場所から 44 mm 上（あるいはワイド間隔で穴があるラックであれば、次の上の穴の場所）に印を付けます（図 4-14 参照）。

ワイド間隔で穴があるラックの垂直方向の各 1 U（44 mm）の空間には、穴の中心間隔が 31.7 mm の間隔（1 U 空間の一番上から測って）で 2 つの穴があります（図 4-14 参照）。

ラックへのスライドアセンブリの取り付け

スライドアセンブリは、ユニバーサル間隔（図 4-13 参照）またはワイド間隔（図 4-14 参照）のどちらの穴がある 2 柱型オープンフレームラックにも取り付けできます。また、1 U スライドアセンブリは、フラッシュマウント構成またはセンターマウント構成で取り付けることができます。

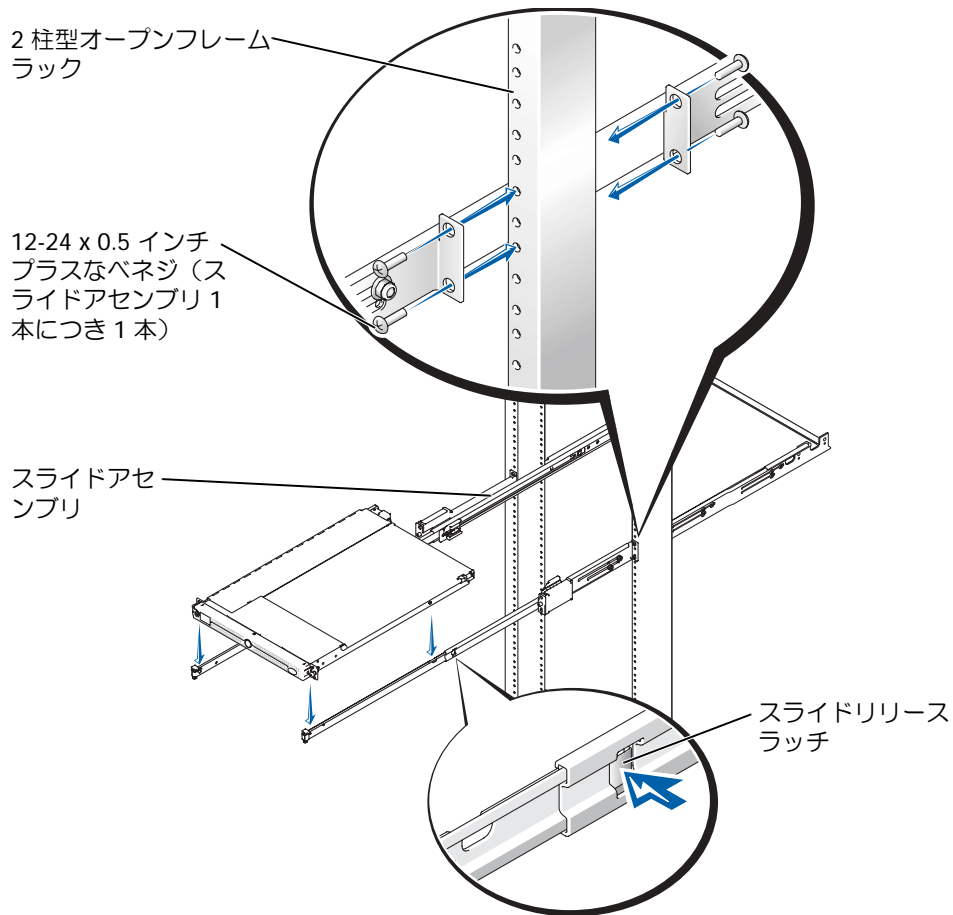
 **警告：**このラックキットを使用して他のシステムを取り付けしないでください。ご使用のシステム用のラックキットのみをお使いください。別のシステム用のラックキットを使用すると、システムが損傷し、ご自身や作業者がけがをする恐れがあります。

センターマウント

2 柱型ラックキットは、センターマウント用にブラケットを構成して出荷されています。取り付けを完了するには、次の手順を行います。

- 右側のスライドアセンブリで、後部ブラケットをスライドアセンブリの背面方向に押し込みます（図 4-15 参照）。
- 右側のスライドアセンブリを、2 柱型ラックの印を付けた場所に合わせ、後部ブラケットを手前側に垂直 2 柱型ラックに押しつけて、12-24 x 0.5 インチプラスチックベネジ 2 本で、前面および背面のセンターマウント用ブラケットを固定します（図 4-15 参照）。
- 手順 1 と 2 を繰り返して、左側のスライドアセンブリもラックに取り付けます。

図 4-15. センターマウント構成でのスライドアセンブリの取り付け

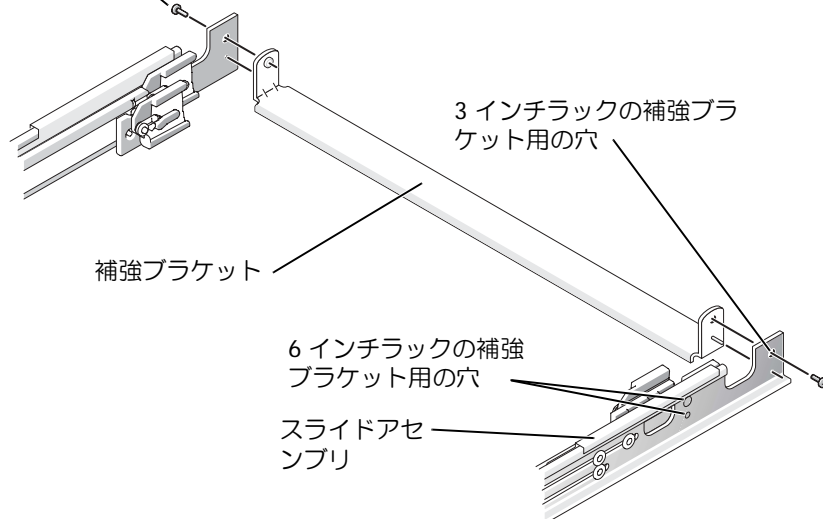


- 補強ブラケットをスライドアセンブリ後部の適切な穴に取り付け、12-24 x 0.5 インチプラスなベネジで各スライドアセンブリに固定します（図 4-16 参照）。

3 インチ幅の垂直ラックの場合は、スライドアセンブリの後端にある穴を使用します（図 4-16 参照）。6 インチ幅の垂直ラックの場合は、スライドアセンブリの後端の穴から 3 インチ前面寄りにある穴を使用します。

図 4-16. 補強ブラケットの取り付け（3 インチラックの場合）


12-24 x 0.5 インチ
プラスなベネジ（ス
ライドアセンブリ 1
本につき 1 本）



フラッシュマウント

2 柱型ラックキットは、センターマウント用にブラケットを構成して出荷されています。フラッシュマウント取り付け用にスライドアセンブリを作成するには、次の手順を行います。

- 滑らかな作業面に、スライドアセンブリの前端を手前にして 2 つのスライドアセンブリを並べます。センターブラケットが上を向くようにしてください（図 4-17 参照）。

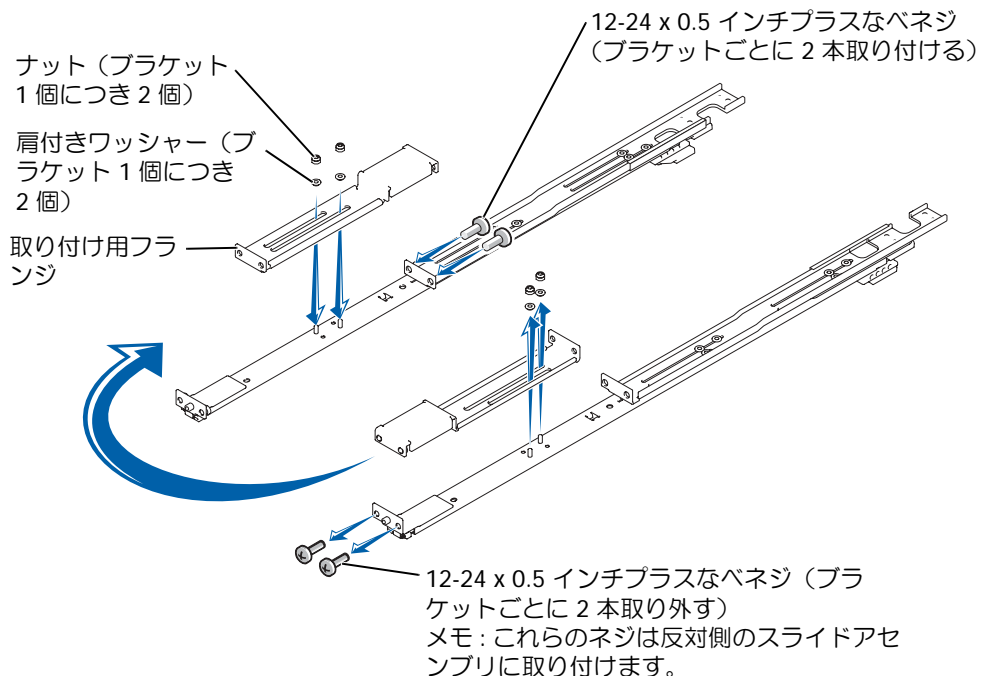
 **メモ：**フラッシュマウント用のスライドアセンブリを作成するには、前部取り付けブラケットを取り外し、180 度回転させてから、反対側のスライドアセンブリに取り付けます。

- 2 #2 プラスドライバーと 11/32 インチレンチまたはナットドライバを使って、左右の前部センターブラケットから 2 本の 12-24 x 0.5 インチプラスなベネジ、2 個のナット、および 2 個の肩付きワッシャを取り外します (図 4-17 参照)。
- 3 前部ブラケットを両方のスライドアセンブリから取り外します。
- 4 片方のスライドアセンブリから取り外したブラケットを、180 度回転させて取り付けフランジが前方を向くようにしてから、反対側のスライドアセンブリのネジ山が付いたスタッドの上に置きます (図 4-17 参照)。
- 5 前部センターマウントブラケットを、手順 2 で取り外した 2 個の肩付きワッシャと 2 個のナットを使って、反対側のスライドアセンブリに指で仮留めします。(図 4-17 参照)。
- 6 前の手順で取り付けした前部ブラケットを、手順 2 で取り外した 12-24 x 0.5 インチプラスなベネジ 2 本を使用して、スライドアセンブリ上のブラケットに接合します (図 4-17 参照)。

接合されたブラケットが新しい延長された後部ブラケットになります。

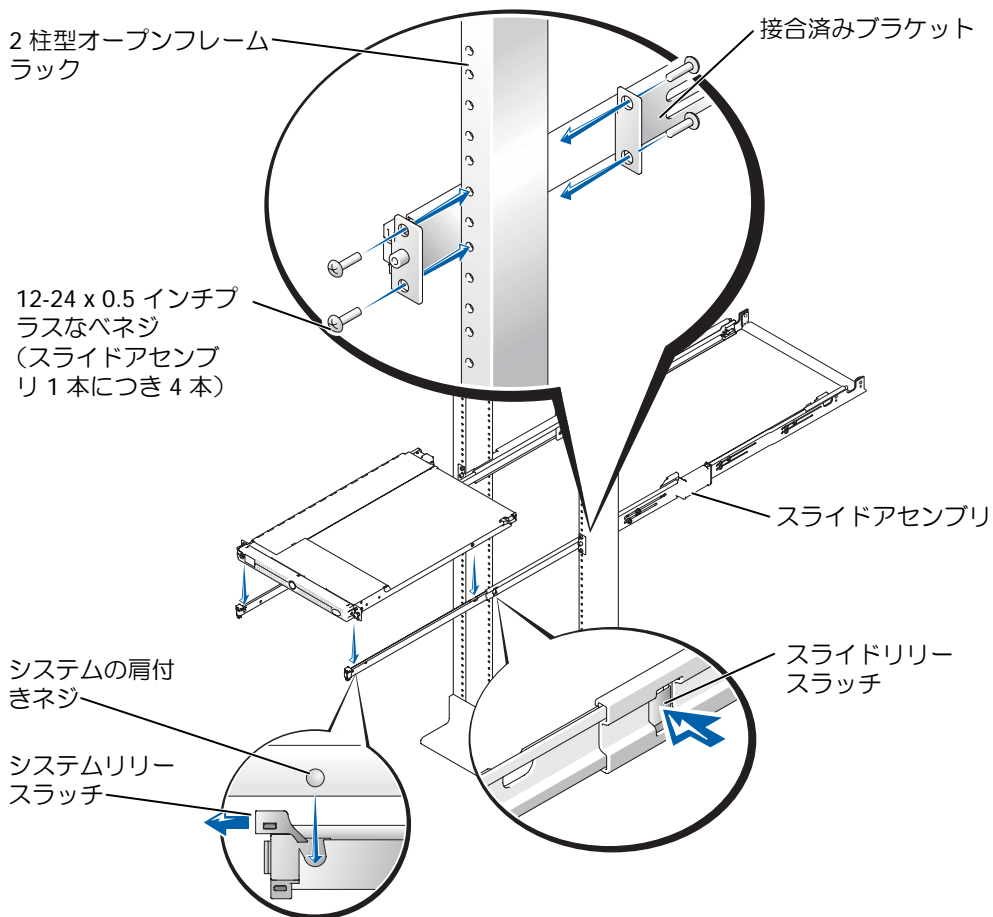
- 7 手順 4 ~ 6 を繰り返して、反対側のスライドアセンブリを構成します。

図 4-17. フラッシュマウントでの前部取り付けブラケットの回転



- 8 左側のスライドアセンブリを印を付けた位置に合わせ、延長式背面側ブラケットを垂直 2 柱型ラックの背面にぴったり合うように調整して、12-24 x 0.5 インチプラスネジ 2 本でレールに固定します (図 4-18 参照)。

図 4-18. フラッシュマウント構成でのスライドアセンブリの取り付け




- 9 2 本の 12-24 x 0.5 インチプラスネジを使って、スライドアセンブリの前部ブラケットを 2 柱型レールに固定します (図 4-18 参照)。
- 10 手順 8 と手順 9 を繰り返して、右側のスライドアセンブリをラックに取り付けます。
- 11 11/32 インチレンチまたはナットドライバを使って、手で締めておいた両側のスライドアセンブリの取り付け用ブラケットのナットを完全に締め付けます。

- 12 補強ブラケットをスライドアセンブリ後部の適切な穴に取り付け、12-24 x 0.5 インチプラスなベネジで各スライドアセンブリに固定します（図 4-16 参照）。


3 インチ幅の垂直ラックの場合は、スライドアセンブリの後端にある穴を使用します（図 4-16 参照）。6 インチ幅の垂直ラックの場合は、スライドアセンブリの後端の穴から 3 インチ前面寄りにある穴を使用します。

ラックへのシステムの取り付け

 **警告：**システムの大きさと重さを考慮して、システムの取り付けは決して 1 人で行わないでください。

 **メモ：**システムをラックに取り付ける手順は、フラッシュマウントとセンターマウントのサポートトレイどちらについてもまったく同じです。

- 1 スライドを完全に伸びきった位置まで引き出します。

 **警告：**システムの大きさと重さを考慮して、システムのスライドアセンブリへの取り付けは決して 1 人で行わないでください。

- 2 システムの前面ベゼルを取り外します。
 - a キーロックを解除します。
 - b 右端と左端のタブを押します。
 - c ベゼルの引っ張り、システムから取り外します。
- 3 システムを適切な位置まで持ち上げます（図 4-18 参照）。
- 4 片方の手をシステム前面の下に、もう片方の手をシステム背面の下に置きます。
- 5 システムの側面にある後部肩付きネジを、スライドアセンブリの背面スロットに合わせながら、システム背面を下に傾けます。
- 6 後部肩付きネジをスロットにはめ込みます。
- 7 システム前面を下げ、システムリリースラッチの後ろにある前面スロットに前部肩付きネジをはめ込みます（図 4-18 参照）。

肩付きネジを前部スロットに差し込むと、システムリリースラッチが前に移動します。ネジが正しくはまると、ラッチが元の位置に戻ってカチッと固定されます。

システムをスライドアセンブリから取り外すときは、このシステムリリースラッチを使用します。

- 8 左右のスライドリリースラッチの側面にあるスライドリリースラッチを押し、システムを完全にラックへ収納します（図 4-18 参照）。
- 9 前面パネルの両側にある拘束蝶ネジを差し込んで締め付け、システムをラックに固定します。

ケーブル処理アームの取り付け

「4 柱型ラックの取り付け」の「ケーブル処理アームの取り付け」を参照してください。

ケーブルの配線

「4 柱型ラックの取り付け」の「ケーブルの配線」を参照してください。

これで 2 柱型キットへのシステムの取り付けは完了です。

索引

数字

- 2 柱型キット
 - ケーブル処理アームの取り付け, 1-27
 - 工具および備品, 1-18
 - システムの取り付け, 1-26
 - スライドアセンブリの取り付け, 1-21
 - ラックへの印付け, 1-19
- 4 柱型キット
 - RapidRails キットの内容, 1-4
 - VersaRails キットの内容, 1-4
 - ケーブル処理アームの取り付け, 1-12
 - ケーブルの配線, 1-16
 - 工具および備品, 1-4
 - システムの取り付け, 1-11
 - ラックに印を付ける, 1-6

R

- RapidRails キットの内容, 1-4

V

- VersaRails
 - キットの内容, 1-4, 1-5

- VersaRails キットの内容
 - 一覧, 1-4
- VersaRails のラック要件, 1-3
- VersaRails
 - ラック要件, 1-3

あ

- 安全にお使いいただくために, 1-1

き

- キットの内容
 - RapidRails, 1-4
 - VersaRails, 1-5

け

- ケーブル処理アーム
 - ケーブルの配線, 1-17, 1-27
 - 取り付け, 1-12, 1-27
- ケーブルの配線, 1-16, 1-27
- ケーブル
 - 配線, 1-17, 1-27

こ

- 工具および備品
 - 2 柱型キット, 1-18
 - 4 柱型キット, 1-4

し

- システムの取り付け
 - 2 柱型ラック, 1-26
 - 4 柱型ラック, 1-11

す

- 垂直レール
 - 1 ラックユニット, 1-6
 - 印を付ける, 1-6

て

- 停止ブロック, 1-4, 1-14, 1-18

と

- 扉
 - 取り付け, 1-17
 - 取り外し, 1-5
- 取り付け
 - 2 柱型スライドアセンブリ, 1-21

RapidRails スライドアセンブリ, 1-7
VersaRails スライドアセンブリ, 1-9
ケーブル処理アーム, 1-12, 1-27
補強ブラケット, 1-23

な

内容の一覧

VersaRails キット, 1-4

内容のリスト

RapidRails キット, 1-4

ふ

付属品の一覧

2 柱型キット, 1-18

ほ

補強ブラケット, 1-23

ら

ラック取り付け時の注意事項, 1-3

ラックに印を付ける, 1-6

ラックへの印付け
2 柱型キット, 1-19

ラックユニット, 1-6

Sistemas Dell™

Guía de montaje del estante



Notas, avisos y precauciones



NOTA: Una NOTA indica información importante que le ayudará a usar mejor su ordenador.



AVISO: un AVISO indica un posible daño en el hardware o la pérdida de datos e informa de cómo evitar el problema.



PRECAUCIÓN: Un mensaje de **PRECAUCIÓN** indica la posibilidad de que el equipo resulte averiado, de sufrir lesiones personales o incluso la muerte.

La información de este documento está sujeta a modificaciones sin previo aviso.

© 2002 Dell Computer Corporation. Reservados todos los derechos.

Queda prohibida su reproducción en cualquier medio sin la autorización por escrito de Dell Computer Corporation.

Marcas comerciales utilizadas en este documento: *Dell*, el logotipo de *DELL*, *VersaRails* y *RadipRails* son marcas comerciales de Dell Computer Corporation.

Las demás marcas registradas y nombres comerciales que puedan utilizarse en este documento se refieren a las empresas que figuran en las marcas y los nombres de sus productos. Dell Computer Corporation renuncia a cualquier interés de propiedad en las marcas y nombres comerciales que no sean los suyos propios.

Octubre de 2002 P/N 5X860 Rev. A00

Contenido

- PRECAUCIÓN: Instrucciones de seguridad 5-1**
 - Montaje de sistemas en estante 5-1

- Instrucciones de instalación 5-2**
 - Requisitos del estante para VersaRails 5-3

- Instalación de estante de cuatro postes 5-3**
 - Antes de empezar 5-3
 - Herramientas y suministros recomendados 5-4
 - Contenido del kit de estante RapidRails 5-4
 - Contenido del kit de estante VersaRails 5-5
 - Tareas de instalación 5-6
 - Desmontaje de las puertas del estante 5-6
 - Marcado del estante 5-7
 - Instalación de los conjuntos deslizantes RapidRails 5-8
 - Instalación de los conjuntos deslizantes VersaRails 5-10
 - Instalación del sistema en el estante 5-12
 - Instalación de la extensión para la administración de cables 5-13
 - Canalización de cables 5-17
 - Colocación de las puertas del estante 5-19

- Instalación de estante de dos postes 5-19**
 - Herramientas y suministros recomendados 5-20
 - Contenido del kit de estantes 5-20
 - Tareas de instalación del estante de dos postes 5-21
 - Marcado del estante 5-21
 - Instalación de los conjuntos deslizantes en el estante 5-23
 - Instalación del sistema en el estante 5-30
 - Instalación de la extensión para la administración de cables 5-31
 - Canalización de cables 5-31

Índice

Figuras

Figura 5-1.	Contenido del kit de estante RapidRails	5-5
Figura 5-2.	Contenido del kit de estante VersaRails	5-6
Figura 5-3.	Una unidad de estante	5-7
Figura 5-4.	Marcado de los rieles verticales	5-8
Figura 5-5.	Instalación de los conjuntos deslizantes RapidRails	5-10
Figura 5-6.	Instalación de los conjuntos deslizantes VersaRails	5-11
Figura 5-7.	Instalación del sistema en el estante (RapidRails o VersaRails)	5-13
Figura 5-8.	Instalación de la extensión para la administración de cables	5-15
Figura 5-9.	Apertura de las cubiertas de alambre	5-16
Figura 5-10.	Montaje del soporte para aliviar tensión del cable de alimentación	5-17
Figura 5-11.	Canalización de cables	5-18
Figura 5-12.	Componentes del kit de estante de dos postes	5-21
Figura 5-13.	Separación entre los orificios universal en un estante de relevo de estructura abierta de dos postes	5-22
Figura 5-14.	Separación entre los orificios ancha en un estante de relevo de estructura abierta de dos postes	5-22
Figura 5-15.	Instalación de los conjuntos deslizantes para una configuración de montaje centrado	5-25
Figura 5-16.	Montaje del soporte de refuerzo (se muestra en la posición del estante de 3 pulgadas)	5-26
Figura 5-17.	Rotación del soporte de montaje frontal para el montaje al ras	5-28
Figura 5-18.	Instalación de los conjuntos deslizantes para una configuración de montaje a ras	5-29


PRECAUCIÓN: Instrucciones de seguridad

Siga estas directrices de seguridad para garantizar su propia seguridad y la del servidor, el sistema y el entorno de trabajo frente a posibles daños. Para obtener información completa acerca de la seguridad, consulte la *Guía de información del sistema*.


Montaje de sistemas en estante

Tenga en cuenta estas precauciones para garantizar la estabilidad y seguridad del estante.


Los sistemas se consideran componentes del estante. Por lo tanto, "componente" se refiere a cualquier sistema, así como a los distintos periféricos o al hardware de soporte.

 **PRECAUCIÓN: La instalación de los sistemas en un estante sin los estabilizadores delanteros o laterales montados puede hacer que vuelque el estante, hecho que puede llegar a producir lesiones personales en ciertas circunstancias. Por tanto, instale siempre los estabilizadores antes de instalar los componentes en el estante.**

Después de instalar los sistemas o componentes en un estante, nunca extraiga más de un componente sobre sus conjuntos deslizantes de forma simultánea. El peso de más de un componente puede hacer que vuelque el estante y producir lesiones graves.

 **NOTA:** El sistema está homologado en cuanto a seguridad como unidad autónoma y como componente para su uso en un armario de estantes Dell™ utilizando el kit de estante del cliente. La instalación del sistema y el kit de estante en otros armarios de estantes no ha sido aprobado por ninguna agencia de seguridad. Es responsabilidad del cliente asegurarse de que la combinación final de sistema y los estantes cumplan todos los estándares de seguridad y los requisitos locales de la normativa sobre electricidad. Dell declina toda responsabilidad y garantías relacionadas con tales combinaciones.

- Los kits de estantes están concebidos para su instalación en estantes por parte de técnicos de servicio con experiencia. Si instala el kit en cualquier otro tipo de estante, éste debe cumplir las especificaciones de un estante Dell.

 **PRECAUCIÓN: No mueva estantes de gran tamaño sin ayuda. Debido a la altura y al peso del estante, se recomienda un mínimo de dos personas para realizar dicha tarea.**

PRECAUCIÓN: Instrucciones de seguridad *(continuación)*

- Antes de trabajar en el estante, asegúrese de que los estabilizadores están fijados al estante, que reposan en el suelo y que todo el peso del estante descansa sobre el suelo. Asimismo, monte los estabilizadores delanteros y laterales en un único estante, o los estabilizadores delanteros para varios estantes unidos.
- Cargue siempre el estante desde la parte inferior hacia arriba, colocando en primer lugar el elemento más pesado.
- El estante debe estar nivelado y estabilizado antes de extraer un componente.
- Tenga cuidado al presionar los pestillos de liberación de los rieles de componentes y al extraer o volver a introducir un componente en el estante, puesto que puede pillarse los dedos con los rieles deslizantes.
- Una vez insertado un componente en el estante, extienda con cuidado el riel hasta su posición de bloqueo y deslice el componente hacia el interior del estante.
- No sobrecargue el ramal del circuito de alimentación de CA que suministra energía al estante. La carga total del estante no debe ser superior al 80 por ciento del valor nominal del ramal del circuito.
- Los componentes del estante deben disponer de suficiente flujo de aire.
- No se suba ni se apoye en ningún componente al reparar otros componentes del estante.

Instrucciones de instalación


Esta guía de montaje proporciona instrucciones para técnicos de servicio formados que instalen uno o más sistemas en un armario de estantes o en un estante de relevo de estructura abierta de dos postes. El kit de estante RapidRails™ se puede instalar en los armarios de estantes de todos los fabricantes de sistemas sin herramientas y el kit de estante VersaRails™ se puede instalar en la mayoría de estantes estándar del sector. Los procedimientos para instalar los kits de estantes RapidRails y VersaRails son similares. Por cada sistema que se vaya a instalar en el armario de estantes se precisa un kit de estante.

La guía incluye los procedimientos para los kits de estante siguientes:


- Kit RapidRails en un armario de estantes de cuatro postes
- Kit VersaRails en un armario de estantes de cuatro postes
- Kit de dos postes (montado en la configuración de montaje centrado o a ras)

Para facilitar la resolución de problemas y la identificación del estado del sistema, estos kits de estantes incluyen un cable de indicador de estado que transfiere la información de los indicadores de estado de dos colores de los paneles frontal y posterior a la parte posterior de la extensión para tendido de cables. Para obtener más información sobre estos indicadores, consulte la *Guía del usuario*.

Antes de llevar a cabo la instalación, lea detenidamente el documento completo.

 **PRECAUCIÓN:** No instale componentes del kit de estante que se hayan diseñado para otro sistema. Utilice únicamente el kit de estante para su sistema. Si utiliza un kit de estante para otro sistema, pueden causarse daños en el sistema y lesiones personales tanto a uno mismo como a otros.

Requisitos del estante para VersaRails


 **AVISO:** El kit de estante VersaRails lo deben instalar únicamente técnicos de servicio formados en un estante que cumpla con las especificaciones siguientes: American National Standards Institute (ANSI)/Electronic Industries Association (EIA) ANSI/EIA-310-D-92, International Electrotechnical Commission (IEC) 297 y Deutsche Industrie Norm (DIN) 41494. Para cada sistema que se vaya a instalar en el estante se precisa un kit de estante.


Instalación de estante de cuatro postes


Antes de llevar a cabo la instalación, lea detenidamente el procedimiento completo.

Antes de empezar

Antes de montar el sistema en el estante, lea detenidamente las “Instrucciones de seguridad”, así como las instrucciones de seguridad incluidas en el documento *Información del sistema* para obtener información adicional.

 **PRECAUCIÓN:** Cuando instale varios sistemas en un estante, realice todos los procedimientos para el sistema actual antes de instalar el siguiente sistema.

 **PRECAUCIÓN:** Los armarios de estantes pueden ser muy pesados y moverse fácilmente con las ruedas. No disponen de frenos. Preste extremo cuidado al mover el armario de estantes. Recoja las patas niveladoras al volver a colocar el armario de estantes. Evite inclinaciones largas o pronunciadas para evitar pérdidas de control del armario. Extienda las patas niveladoras de apoyo para evitar que el armario se desplace.

 **NOTA:** Para obtener información sobre el procedimiento de montaje del sistema, consulte "Montaje de un sistema en el estante".

Información de seguridad importante

Cuando instale el sistema en el estante, tome las precauciones de seguridad que se indican en los siguientes apartados.



PRECAUCIÓN: Debe seguir estrictamente los procedimientos que se explican en esta guía para protegerse a sí mismo y a otras personas que se puedan ver involucradas. El sistema puede tener una envergadura y un peso considerables por lo que son importantes una preparación y planificación adecuadas para evitar lesiones personales a uno mismo y a otros. Esto es más importante aún cuando se instalan sistemas en la parte alta del estante.

Herramientas y suministros recomendados

Para instalar el sistema en un estante de cuatro postes, necesita las herramientas y material siguientes:

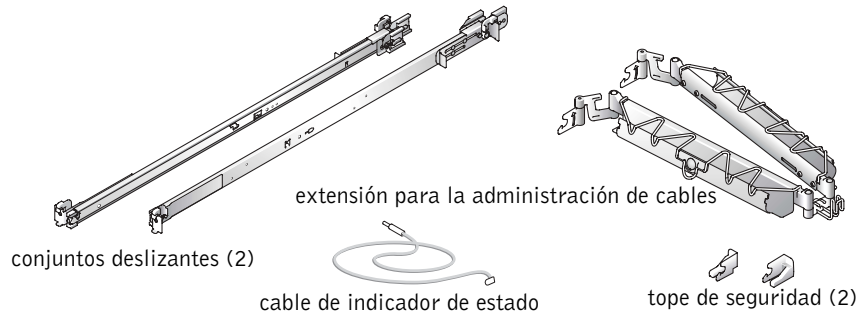
- Destornillador Phillips del n.º 2
- Cinta adhesiva o rotulador de punta de fieltro, para marcar los orificios de montaje necesarios

Contenido del kit de estante RapidRails

El kit de estante RapidRails incluye los siguientes elementos (consulte la Figura 5-1):

- Un par de conjuntos deslizantes RapidRails
- Una extensión para la administración de cables
- Dos bloques de detención (izquierdo y derecho)
- Un conjunto de cables de indicadores de estado
- Abrazaderas desajustables (no se muestran en la Figura 5-1)

Figura 5-1. Contenido del kit de estante RapidRails



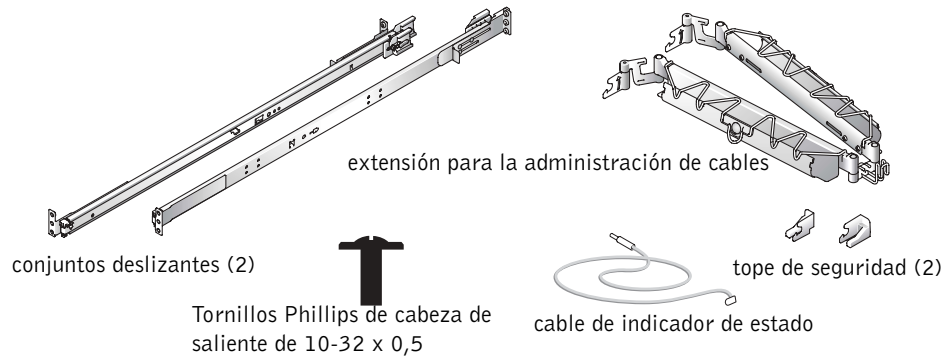
Contenido del kit de estante VersaRails

El kit de estante VersaRails incluye los siguientes elementos (consulte la Figura 5-2):

- Un par de conjuntos deslizantes VersaRails
- Una extensión para la administración de cables
- Dos bloques de detención (izquierdo y derecho)
- Un conjunto de cables de indicadores de estado
- Diez tornillos Phillips de cabeza de saliente de 10-32 x 0,5 pulgadas
- Abrazaderas desajustables (no se muestran en la Figura 5-2)



NOTA: los tornillos no métricos que se describen en las ilustraciones y en los pasos de los procedimientos se identifican por el tamaño y el número de roscas por pulgada. Por ejemplo, un tornillo de cabeza Phillips del n.º 10 con 32 roscas por pulgada se identifica como un tornillo 10-32.

Figura 5-2. Contenido del kit de estante VersaRails

Tareas de instalación

La instalación de un kit de estante implica realizar las siguientes tareas en el orden indicado:

- 1 Desmontaje de las puertas del estante
- 2 Marcado del estante
- 3 Montaje de los conjuntos deslizantes en el estante
 - conjuntos deslizantes RapidRails
 - conjuntos deslizantes VersaRails
- 4 Instalación del sistema en el estante
- 5 Instalación de la extensión para la administración de cables
- 6 Canalización de cables
- 7 Colocación de las puertas del estante

Desmontaje de las puertas del estante

Para retirar las puertas, consulte los procedimientos en la documentación suministrada con el armario de estantes.

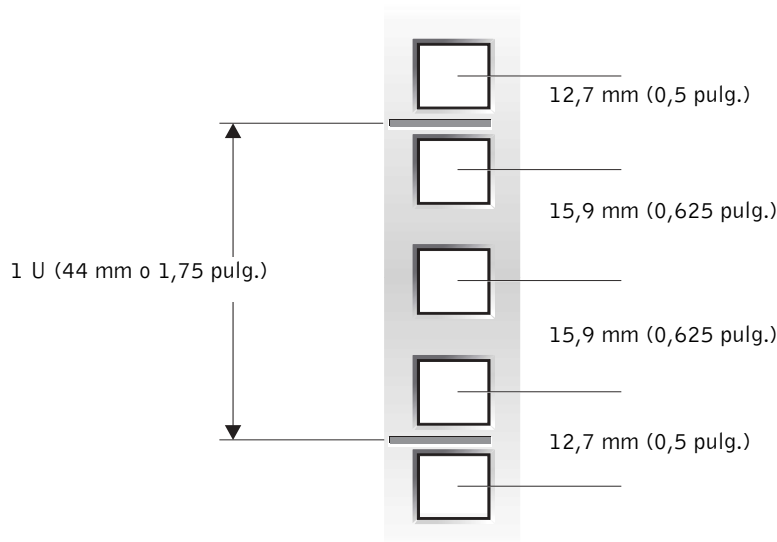
- ⚠ PRECAUCIÓN: Debido al tamaño y al peso de las puertas del armario de estantes, nunca debe intentar montarlas ni desmontarlas sin ayuda.**
- ⚠ PRECAUCIÓN: Guarde las dos puertas donde no puedan lesionar a nadie si se caen accidentalmente.**

Marcado del estante

Debe dejar 1 U (44 mm) de espacio vertical para cada sistema que monte en el estante. Los armarios de estante que cumplan con los estándares EIA-310 tienen un patrón alterno de tres orificios por unidad de estante con un espacio entre orificio de centro a centro (comenzando en el orificio superior de un espacio 1-U) de 15,9 mm, 15,9 mm y 12,7 mm (0,625 pulg., 0,625 pulg. y 0,5 pulg.) para los rieles verticales frontal y posterior (consulte la Figura 5-3). Los armarios de estantes pueden tener orificios redondos o cuadrados.

NOTA: Los rieles verticales se pueden marcar con líneas horizontales y números a incrementos de 1-U. Si lo desea, puede anotar el número haciendo una marca en el riel vertical del estante. No es necesario marcar o colocar cinta en el estante. Si elige este método, pase directamente al procedimiento "Instalación de los conjuntos deslizantes RapidRails".

Figura 5-3. Una unidad de estante



PRECAUCIÓN: Si va a instalar más de un sistema, instale los conjuntos deslizantes de modo que el primer sistema quede instalado en la posición más baja disponible en el estante.

Para marcar el estante, realice los pasos siguientes:

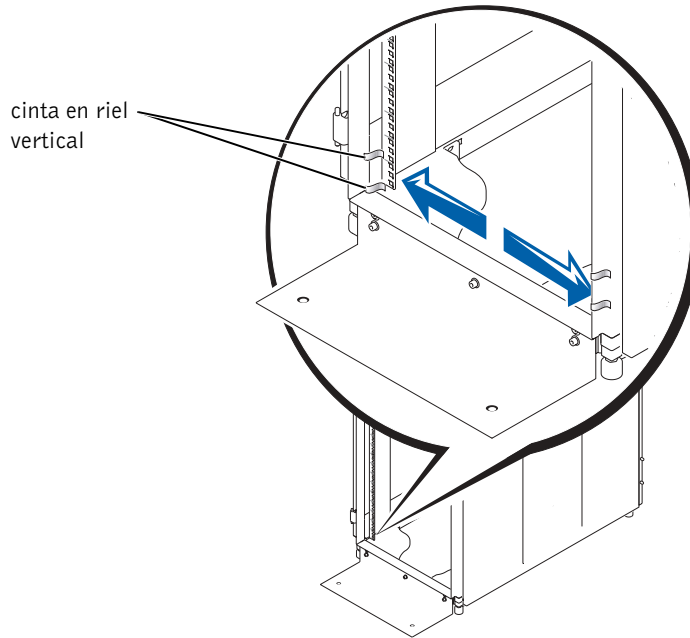
- 1 Coloque una marca en los rieles verticales frontales del estante en los que desee colocar la parte inferior del sistema que está instalando en el armario de estantes.

La parte inferior de cada espacio 1-U se encuentra en medio de la zona metálica más estrecha entre orificios (marcados con una línea horizontal en algunos armarios de estantes; consulte la Figura 5-3).

- 2 Coloque una marca a 44 mm (1,75 pulg.) por encima de la marca original (o cuente tres orificios en un estante que cumpla los estándares EIA-310) y marque los rieles verticales frontales del estante con un rotulador de punta de fieltro o coloque cinta adhesiva (si ha contado orificios, coloque una marca encima del orificio superior).

Esta marca o trozo de cinta indica dónde se va a situar el borde superior del sistema en los rieles verticales (consulte la Figura 5-4).

Figura 5-4. Marcado de los rieles verticales



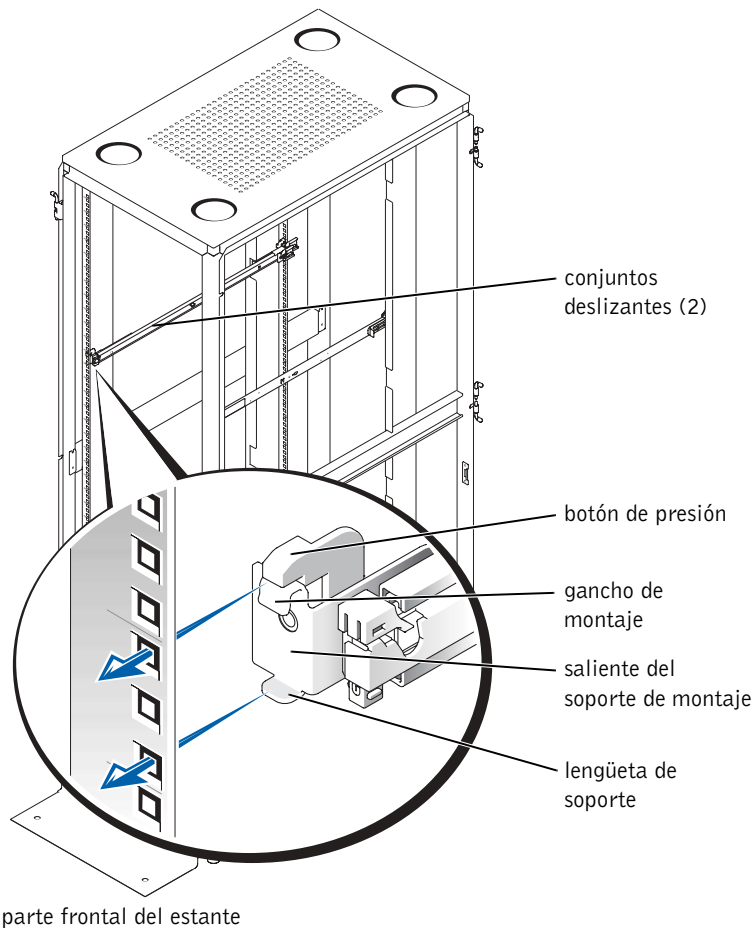
Instalación de los conjuntos deslizantes RapidRails

- 1 En la parte frontal del armario de estantes, coloque uno de los conjuntos deslizantes RapidRails de modo que su saliente del soporte de montaje quede situado entre las marcas o la cinta colocada en el estante (consulte la Figura 5-5).

El gancho de montaje situado en la brida del soporte de montaje frontal del conjunto deslizante deberá entrar en el orificio superior entre las marcas hechas en los rieles verticales.

- 2** Empuje sobre el conjunto deslizante hacia delante hasta que el gancho de montaje quede colocado en los orificios cuadrados correspondientes del riel vertical y, a continuación, empuje hacia abajo la brida del soporte de montaje hasta que los ganchos de montaje se introduzcan en los orificios cuadrados, y el pulsador salga y emita un clic.
- 3** En la parte posterior del armario, tire hacia atrás de la brida de soporte de montaje hasta que los ganchos de montaje queden colocados en sus orificios cuadrados correspondientes y, a continuación, empuje hacia abajo el saliente del soporte de montaje hasta que los ganchos de montaje se introduzcan en los orificios cuadrados y el botón de presión salga y emita un clic.
- 4** Repita los pasos del 1 al 3 para el conjunto deslizante del otro lateral del estante.
- 5** Asegúrese de que los rieles están montados en la misma posición en los rieles verticales de cada lado del estante.

Figura 5-5. Instalación de los conjuntos deslizantes RapidRails



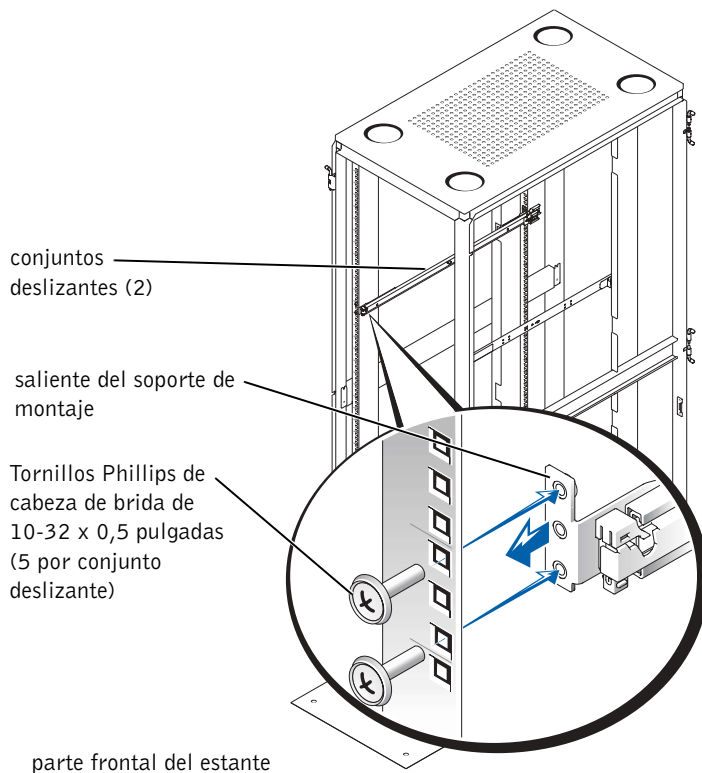
Instalación de los conjuntos deslizantes VersaRails

- 1 En la parte frontal del armario de estantes, coloque uno de los conjuntos deslizantes VersaRails de forma que el saliente del soporte de montaje se ajuste perfectamente entre las marcas o la cinta colocada (o la ubicación numerada) en el estante (consulte la Figura 5-6).

Los tres orificios de la parte frontal del soporte de montaje deben alinearse con los tres orificios situados entre las marcas realizadas en el riel vertical frontal.


- Coloque dos tornillos Phillips de cabeza de brida de 10-32 x 0,5 pulg. en los orificios superior e inferior de la brida de montaje para sujetar el conjunto deslizante al riel vertical frontal (consulte la Figura 5-6).
- En la parte posterior del armario, tire hacia atrás del saliente del soporte de montaje hasta que los orificios de montaje queden alineados con los orificios correspondientes del riel vertical posterior.
- Coloque tres tornillos Phillips de cabeza de brida de 10-32 x 0,5 pulg. en los orificios de la brida de montaje para sujetar el conjunto deslizante a el riel vertical posterior.


Figura 5-6. Instalación de los conjuntos deslizantes VersaRails




- Repita los pasos del paso 1 al paso 4 para el conjunto deslizante del otro lateral del estante.
- Asegúrese de que los conjuntos deslizantes están montados en la misma posición en los rieles verticales en cada lado del estante.

Instalación del sistema en el estante

 **PRECAUCIÓN:** Si va a instalar más de un sistema, instale el primero en la posición más baja que haya disponible en el estante.

 **PRECAUCIÓN:** Nunca extraiga más de un componente del estante a la vez.

- 1 Tire de los dos conjuntos deslizantes hacia afuera del estante hasta que queden totalmente extendidos.

 **PRECAUCIÓN:** Debido al tamaño y al peso del sistema, no intente nunca instalarlo en los conjuntos deslizantes sin ayuda.

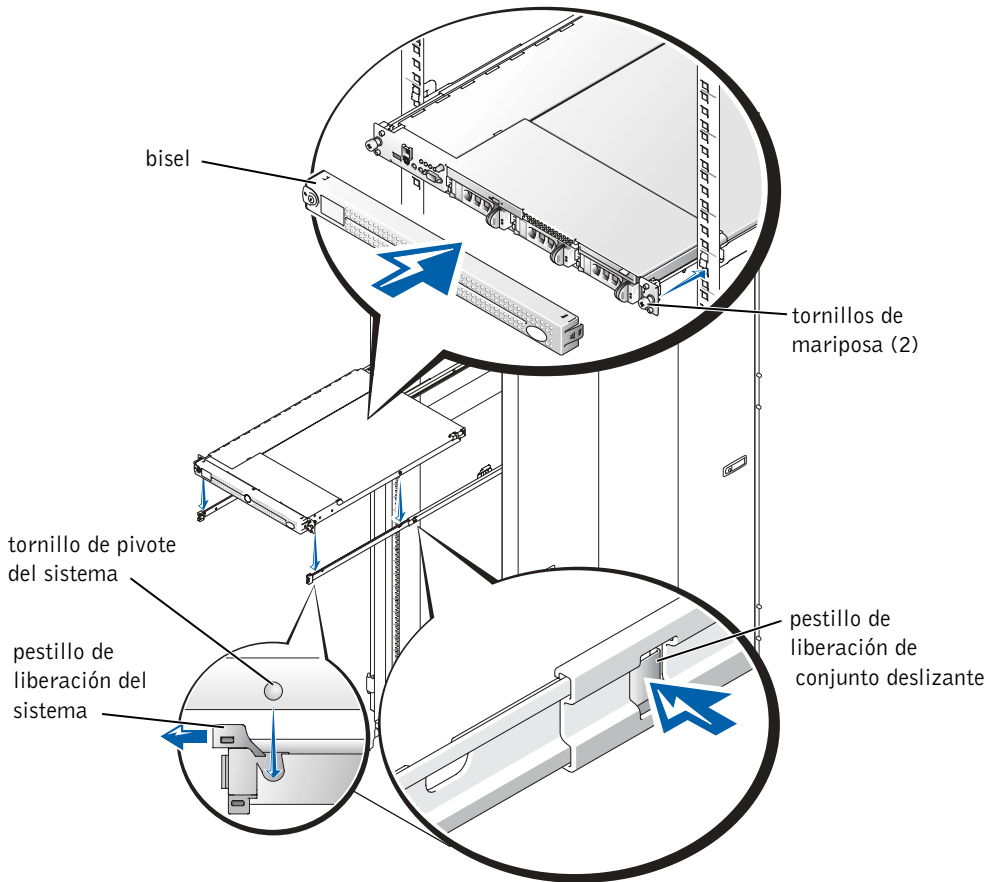
- 2 Extraiga el bisel anterior del sistema:
 - a Desbloquee la cerradura.
 - b Presione las lengüetas del extremo derecho e izquierdo.
 - c Saque el bisel del sistema.
- 3 Levante el sistema hasta su posición en la parte delantera de los conjuntos deslizantes extraídos.
- 4 Coloque una mano en la parte inferior delantera del sistema y la otra en la parte inferior trasera.
- 5 Incline la parte posterior del sistema hacia abajo mientras alinea los tornillos de pivote posteriores situados en los laterales del sistema con las ranuras posteriores de los conjuntos deslizantes.
- 6 Coloque los tornillos de pivote posteriores en sus ranuras.
- 7 Haga descender la parte frontal del sistema y coloque los tornillos de pivote frontales en la ranura frontal situada detrás del pestillo de liberación del sistema (consulte la Figura 5-7).

El pestillo de liberación del sistema se moverá hacia adelante y encaja hacia atrás conforme pasa el tornillo de pivote en la ranura frontal.

Utilice este pestillo de liberación del sistema cuando desee retirar el sistema de los conjuntos deslizantes.

- 8 Presione los pestillos de liberación deslizantes situados a ambos lados del conjunto deslizante para deslizar completamente el sistema en el estante (consulte la Figura 5-7).
- 9 Apriete los tornillos mariposa cautivos en cada lado del panel frontal del chasis para sujetar el sistema al estante.

Figura 5-7. Instalación del sistema en el estante (RapidRails o VersaRails)



Instalación de la extensión para la administración de cables

AVISO: La extensión para tendido de cables se puede montar en el lado derecho o izquierdo del armario de estantes. Este procedimiento describe el montaje de la extensión para tendido de cables del lado derecho del armario de estantes, visto desde la parte posterior. Si está montando varios sistemas en el estante, considere el montaje de las extensiones para tendido de cables en los lados alternos del estante para facilitar la canalización de los cables.

Para montar la extensión para tendido de cables en la parte posterior del sistema, siga los pasos siguientes:

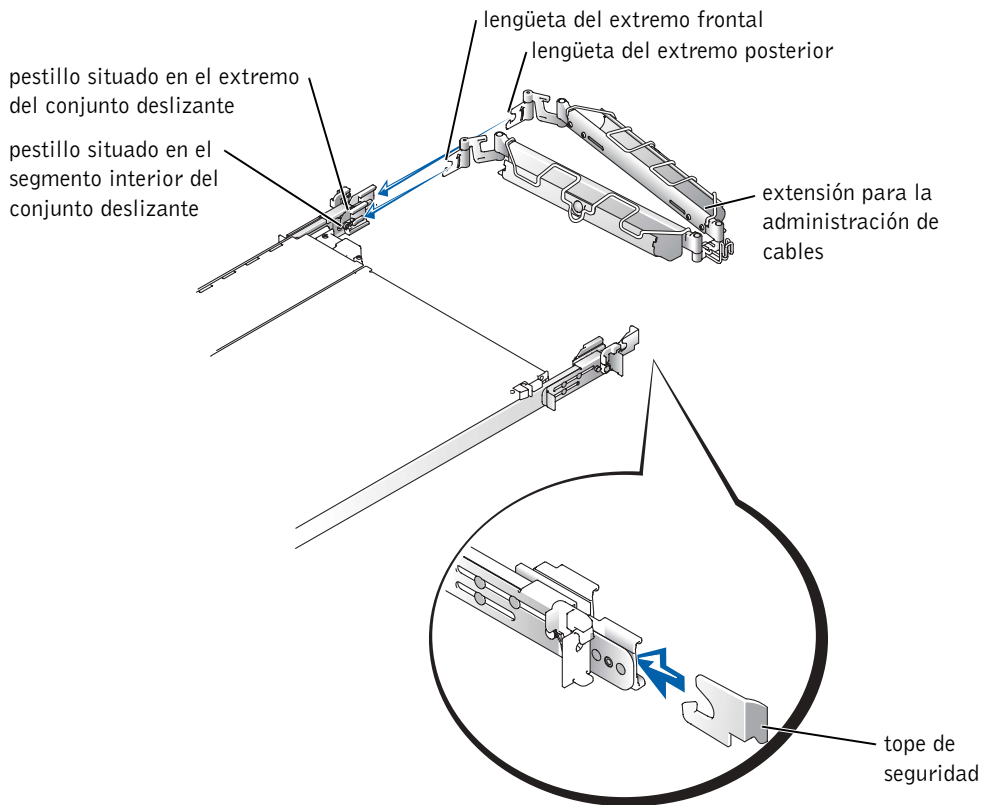
- 1** Sitúese frente a la parte posterior del armario de estantes y localice el pestillo situado en el extremo del conjunto deslizante derecho que fijó al riel vertical posterior.
- 2** Presione la lengüeta del extremo posterior de la extensión para la administración de cables en el pestillo del extremo del conjunto deslizante (consulte la Figura 5-8).

El pestillo emite un clic al encajar en su sitio.

- 3** Presione la lengüeta del extremo frontal de la extensión para la administración de cables en el pestillo correspondiente del segmento interno del conjunto deslizante (consulte la Figura 5-8).

El pestillo emite un clic al encajar en su sitio.

Figura 5-8. Instalación de la extensión para la administración de cables



- 4 Monte un tope en la lengüeta del extremo del conjunto deslizante opuesto (consulte la Figura 5-8).

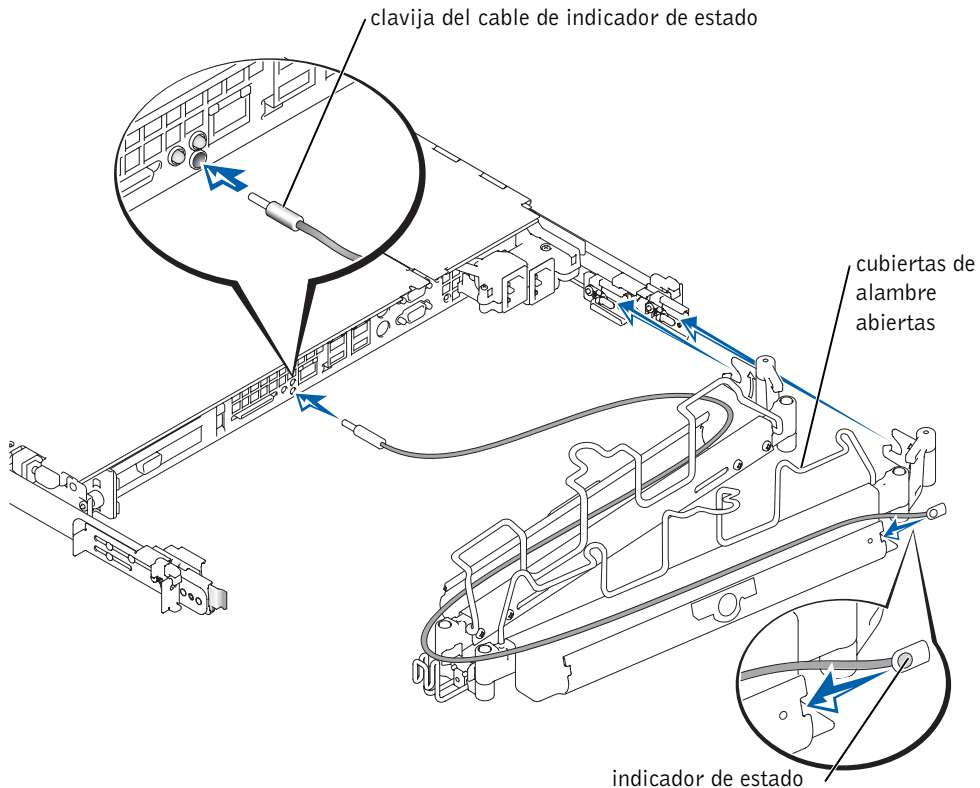
El tope de seguridad evita que la extensión para tendido de cables se desplace hacia atrás y sujeta el peso de la extensión con la carga de los cables instalados.

El kit tiene dos toques de seguridad: uno para el montaje en el lado derecho y otro para el montaje en el lado izquierdo. Solo puede montar el tope adecuado.

- 5 Monte el enchufe del cable de indicador de estado en su conector.
- 6 Abra las cubiertas de los cables de la extensión para tendido de cables levantando el centro del cable sobre la parte superior del botón circular repujado en la parte frontal delantera de la extensión y levantando el cable sobre la parte superior del botón circular similar de la parte posterior de la extensión.

La cubierta de alambre se abre para permitir que los cables se tiendan en la extensión.

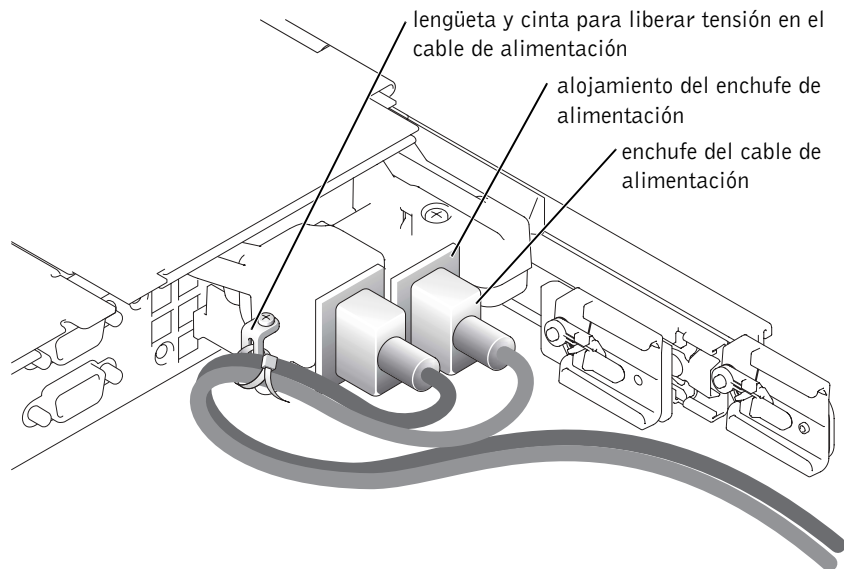
Figura 5-9. Apertura de las cubiertas de alambre



- 7 Canalice el extremo del indicador de estado del cable por la extensión para tendido de cables y monte el indicador en su ranura de la parte posterior de la extensión para tendido de cables (consulte la Figura 5-9).
- 8 Conecte los cables de alimentación a sus receptáculos del panel posterior.
- ⚠ **AVISO:** aunque el soporte para evitar la tensión puede alojar cables de alimentación con un radio de plegado de hasta 19 mm (0,75 pulgadas), el fabricante del sistema recomienda utilizar únicamente los cables de alimentación que se suministran con el sistema.
- 9 Monte una abrazadera a través de la ranura de la lengüeta del soporte para evitar tensión (consulte la Figura 5-10).

- 10 Doble los cables de alimentación hacia atrás en el lado del alojamiento del receptáculo de alimentación y forme un bucle tenso y Monte la abrazadera para liberar tensión alrededor de los cables de alimentación enrollados (consulte la Figura 5-10).

Figura 5-10. Montaje del soporte para aliviar tensión del cable de alimentación



Canalización de cables

- 1 Conecte los conectores de cables de E/S a sus correspondientes conectores situados en la parte posterior del sistema.

Para obtener más detalles sobre las conexiones de cables, consulte la *Guía de instalación y solución de problemas* y la *Guía del usuario* de su sistema.

- 2 Tienda los cables de alimentación y de E/S a través de la extensión para tendido de cables, utilizando cuatro abrazaderas ajustables ligeramente sujetas (dos en el medio y una a cada extremo de la extensión para tendido de cables). No apriete completamente ahora las abrazaderas (consulte la Figura 5-11).

Deje que los cables queden algo flojos en la extensión para la administración de cables para evitar que se dañen.

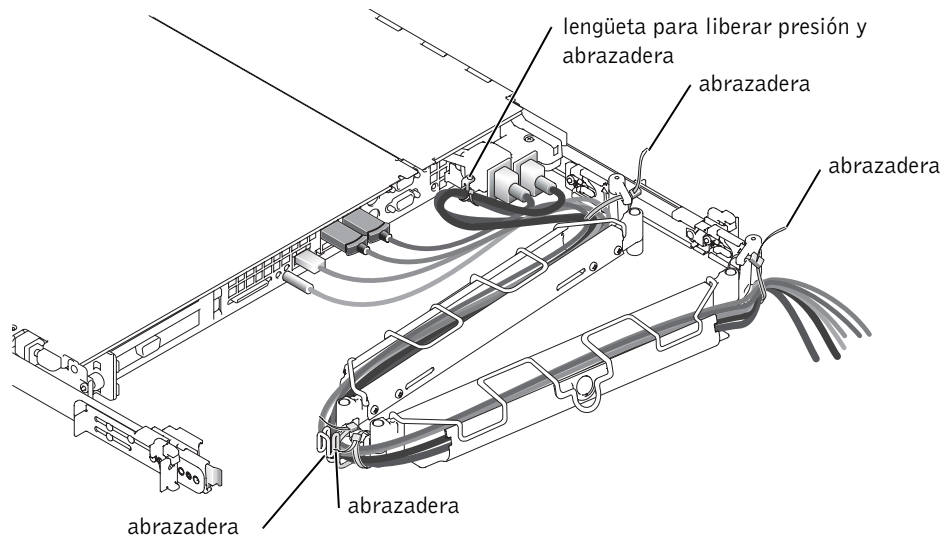
- 3 Fije los cables en la extensión para la administración de cables:

- a Después de conectar los cables al sistema, desenrosque los tornillos mariposa que sujetan la parte delantera del sistema al riel vertical delantero.
- b Deslice el sistema hacia adelante hasta que esté completamente extraído.
- c Tienda los cables a lo largo de la extensión para tendido de cables, realice los ajustes de holgura en los cables en las posiciones de las bisagras y fije los cables a la extensión con las abrazaderas desmontables y las cubiertas de los cables sobre la extensión para tendido de cables.

NOTA: Al extraer el sistema hasta su posición máxima, los conjuntos deslizantes quedarán bloqueados. Para volver a introducir el sistema en el estante, presione el pestillo de liberación del lateral del conjunto deslizante y, a continuación, deslice el sistema completamente hasta el interior del estante.

- 4 Deslice el sistema dentro y fuera del estante para comprobar que los cables están correctamente canalizados y no quedan doblados, estirados o pinzados con el movimiento de la extensión para la administración de cables.
- 5 Realice los ajustes necesarios para asegurarse de que los cables no están ni demasiado apretados ni demasiado sueltos, pero manteniendo los cables en su sitio al tiempo que desplaza el estante hacia dentro y hacia fuera.

Figura 5-11. Canalización de cables



Colocación de las puertas del estante

Consulte los procedimientos para volver a colocar las puertas en la documentación suministrada con el armario de estante.


 **PRECAUCIÓN: Debido al tamaño y al peso de las puertas del armario de estantes, nunca debe intentar montarlas ni desmontarlas sin ayuda.**

Así queda completada la instalación del estante de su sistema en un armario de estantes de cuatro postes.

Instalación de estante de dos postes

El kit de estante de dos postes se utiliza para instalar un sistema en un estante de relevo de estructura abierta de dos postes, como los que se encuentran en las instalaciones de equipos de telecomunicaciones. Admite estantes de dos postes de 3 y 6 pulgadas de anchura, con separación entre orificios universal o ancha. Puede instalar este kit en una configuración de montaje centrado o al ras. El kit de dos postes incorpora conjuntos deslizantes que permiten extraer el sistema para su reparación.

Debe fijar de forma adecuada el estante de relevo de estructura abierta de dos postes al suelo, al techo o a la pared y, si procede, a otros estantes adyacentes, mediante dispositivos de fijación para el suelo y la pared; los cortes o soldaduras se deben efectuar según los estándares o la aprobación del fabricante del estante o bien siguiendo las normas industriales al respecto. Antes de iniciar la instalación, consulte la documentación de instalación de estantes de relevo de estructura abierta de dos postes del fabricante para consultar las advertencias de seguridad.

 **PRECAUCIÓN: No intente instalar el sistema en un estante de relevo de estructura abierta de dos postes que no se haya fijado en su ubicación de forma segura. Si no sigue esta precaución, puede dañar el sistema y provocar lesiones a sí mismo o a otras personas.**

Consulte las “Instrucciones de seguridad” del principio de este documento para ver información adicional de seguridad con respecto al montaje del estante.

Herramientas y suministros recomendados

Para montar el sistema en una estructura abierta de dos postes necesita las herramientas y los suministros siguientes

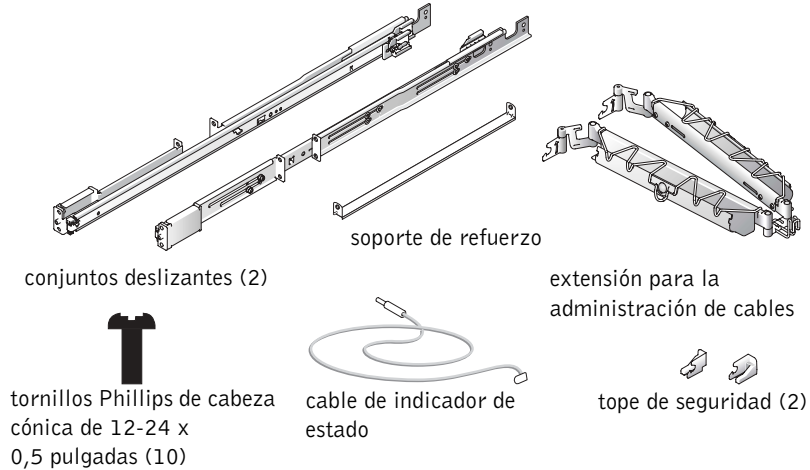
- Destornillador Phillips del n.º 2
- Llave de tuerca de 11/32 pulg. (si se cambia el montaje para la configuración de montaje a ras)
- Cinta adhesiva o rotulador de punta de fieltro para marcar los orificios de montaje

Contenido del kit de estantes

El kit de estantes de dos postes incluye (consulte la Figura 5-12).

- Un par de conjuntos deslizantes (de dos postes)
- Un soporte de refuerzo
- Una extensión para la administración de cables
- Dos topes de seguridad
- Un conjunto de cables de indicadores de estado
- Diez tornillos Phillips de cabeza cónica de 12-24 x 0,5 pulgadas
- Abrazaderas desajustables (no se muestran en la Figura 5-12)

Figura 5-12. Componentes del kit de estante de dos postes



Tareas de instalación del estante de dos postes

La instalación de un kit de estantes de dos postes incluye las siguientes tareas en el orden indicado:

- 1 Marcado del estante
- 2 Montaje de los conjuntos deslizantes en el estante
 - Montaje centrado
 - Montaje al ras
- 3 Instalación del sistema en el estante
- 4 Instalación de la extensión para la administración de cables
- 5 Canalización de cables

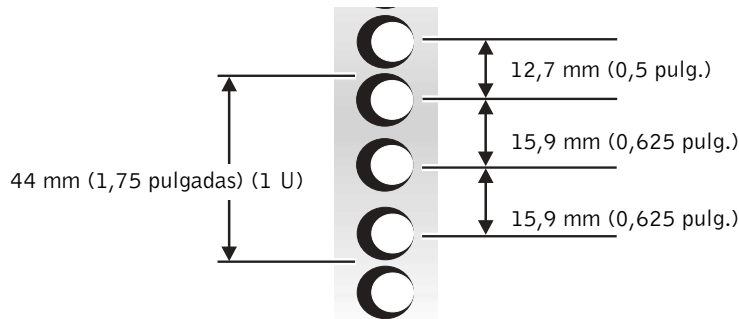
Marcado del estante

Debe dejar 1 U (44 mm o 1,75 pulgadas) de espacio vertical para cada sistema que monte en el estante de dos postes.

Estantes con separación entre orificios universal

Los estantes de dos postes estándar del sector con separación entre orificios universal tienen un patrón alterno de tres orificios por unidad de estante con un espacio entre orificio de centro a centro (comenzando en el orificio superior de un espacio de 1-U) de 15,9 mm, 15,9 mm y 12,7 mm (0,625 pulgadas, 0,625 pulgadas y 0,5 pulgadas) para la columna vertical frontal y posterior de los orificios (consulte la Figura 5-13).

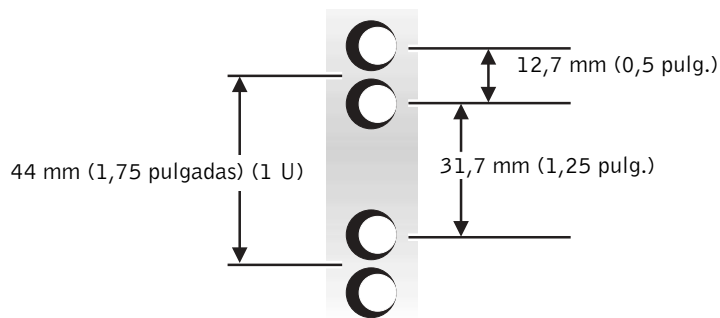
Figura 5-13. Separación entre los orificios universal en un estante de relevo de estructura abierta de dos postes



Estantes con separación entre orificios ancha

Algunos estantes de dos montantes con separación entre orificios amplia tienen un patrón alterno de dos orificios por unidad de estante con un espacio entre orificio de centro a centro (comenzando en el orificio superior de un espacio de 1-U) de 31,7 mm, 12,7 mm (1,25 pulgadas y 0,5 pulgadas) para la columna vertical frontal y posterior de los orificios (consulte la Figura 5-14).


Figura 5-14. Separación entre los orificios ancha en un estante de relevo de estructura abierta de dos postes



Para marcar el estante, realice los pasos siguientes:


- 1 Coloque una marca en los rieles verticales frontales del estante en los que desee colocar la parte inferior del sistema que está instalando en el estante de dos postes.

La parte inferior de cada espacio 1-U se encuentra en el centro de la zona metálica más estrecha entre los orificios.

 **NOTA:** Si su estante tiene una separación entre orificios ancha, vaya al paso 3.

- 2 Haga una marca 44 mm (1,75 pulgadas) por encima de la marca original (o cuente tres orificios en un estante con separación entre orificios universal) (consulte la Figura 5-13).

Cada 1 U (44 mm o 1,75 pulgadas) de espacio vertical en un estante con separación entre orificios universal tiene tres orificios con separación de centro a centro entre orificios (empezando en la parte superior de un espacio de 1U) de 0,625, 0,625 y 0,5 pulgadas (consulte la Figura 5-13).


 **NOTA:** Si su estante tiene una separación entre orificios universal, el procedimiento de marcaje del estante ha finalizado.

- 3 Haga una marca 44 milímetros (1,75 pulgadas) por encima de la marca original (o cuente hasta el siguiente orificio en un estante con separación entre orificios amplia) (consulte la Figura 5-14).

Cada 1 U (44 mm o 1,75 pulgadas) de espacio vertical en un estante con separación amplia entre orificios tiene dos orificios con separación de centro a centro entre ellos (empezando en la parte superior de un espacio de 1U) de 31,7 mm (1,25 pulgadas) (consulte la Figura 5-14).

Instalación de los conjuntos deslizantes en el estante

Puede montar los conjuntos deslizantes en un estante de relevo de estructura abierta de dos postes que tenga separación entre orificios universal (consulte la Figura 5-13) o separación entre orificios amplia (consulte la Figura 5-14). Puede montar los conjuntos deslizantes de 1U en una configuración de montaje centrado o a ras.

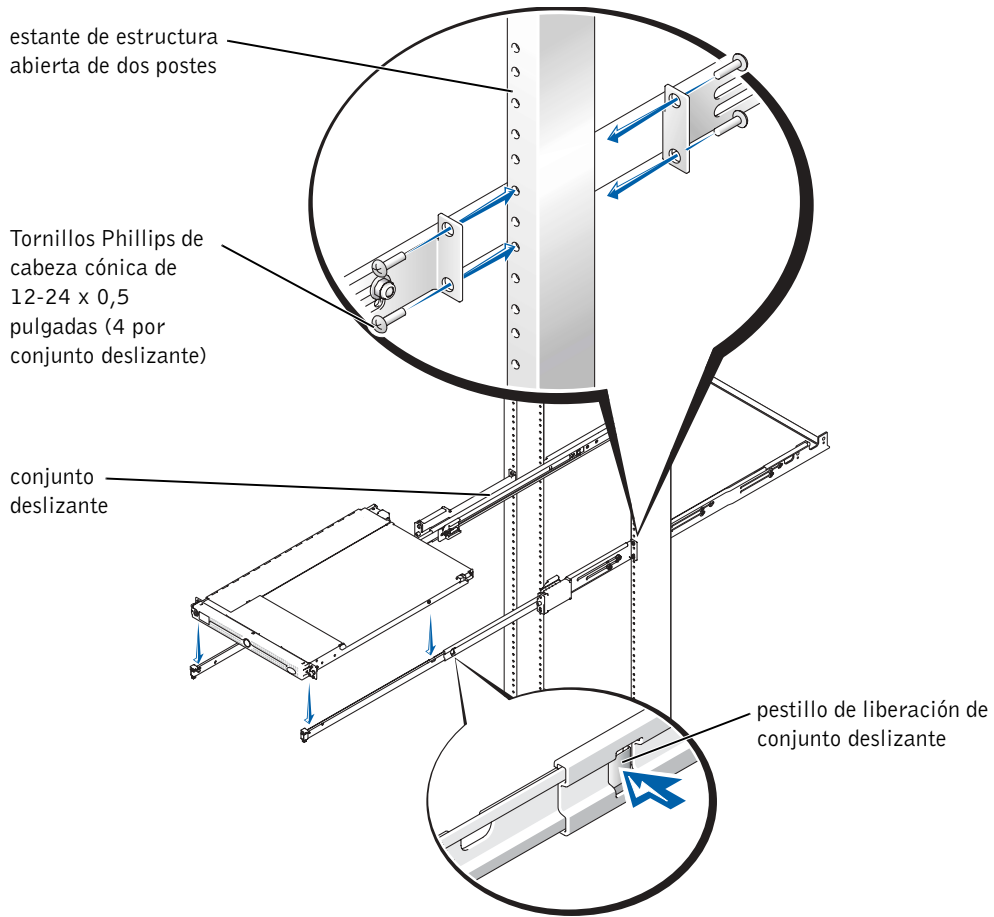
 **PRECAUCIÓN:** No monte otro sistema utilizando este kit de estante. Utilice únicamente el kit de estante diseñado para su sistema. Si utiliza un kit de estante para otro sistema, pueden causarse daños en el sistema y lesiones personales tanto a uno mismo como a otros.

Montaje centrado

El kit de estante de dos postes se entrega con los soportes configurados para el montaje centrado. Para completar la instalación, realice los pasos siguientes:

- 1** Localice el conjunto deslizante derecho y presione el soporte posterior hacia la parte posterior del mismo (consulte la Figura 5-15).
- 2** Coloque el conjunto deslizante derecho del estante de dos postes en la ubicación que ha marcado, empuje el soporte posterior contra el estante de dos postes vertical, y fije los soportes frontal y posterior del montaje centrado al estante con dos tornillos Phillips de cabeza cónica de 12-24 x 0,5pulg. (consulte la Figura 5-15).
- 3** Repita los pasos 1 y 2 para instalar el conjunto deslizante izquierdo en el estante.

Figura 5-15. Instalación de los conjuntos deslizantes para una configuración de montaje centrado

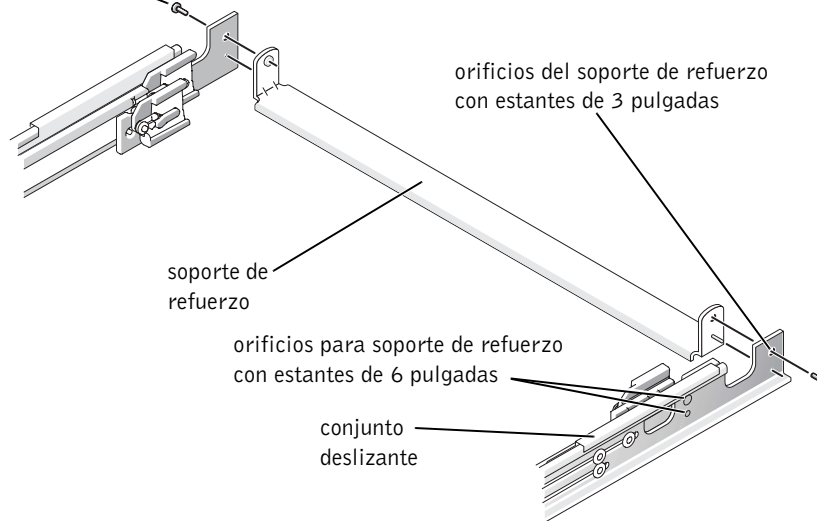


- Monte el soporte de refuerzo en los orificios apropiados en la parte posterior de los conjuntos deslizantes y fije el soporte con un tornillo Phillips de cabeza cónica de 12-24 x 0,5 pulgadas en cada conjunto deslizante (consulte la Figura 5-16).

Si el estante vertical tiene 3 pulgadas de anchura, utilice los orificios del extremo posterior de los conjuntos deslizantes (como se muestra en la Figura 5-16). Si el estante vertical tiene 6 pulgadas de anchura, utilice los orificios situados a 3 pulgadas de la parte frontal de los orificios del extremo posterior de los conjuntos deslizantes.

Figura 5-16. Montaje del soporte de refuerzo (se muestra en la posición del estante de 3 pulgadas)

tornillo Phillips de cabeza cónica de 12-24 x 0.5 pulgadas (1 por conjunto deslizante)



Montaje al ras

El kit de estante de dos postes se entrega configurado para el montaje centrado. Para preparar los conjuntos deslizantes para el montaje a ras, siga estos pasos:

- Localice los dos conjuntos deslizantes y colóquelos, uno al lado del otro, en una superficie lisa, con los extremos frontales hacia sí. Coloque ambos conjuntos deslizantes de forma que los soportes centrales queden hacia arriba (consulte la Figura 5-17).



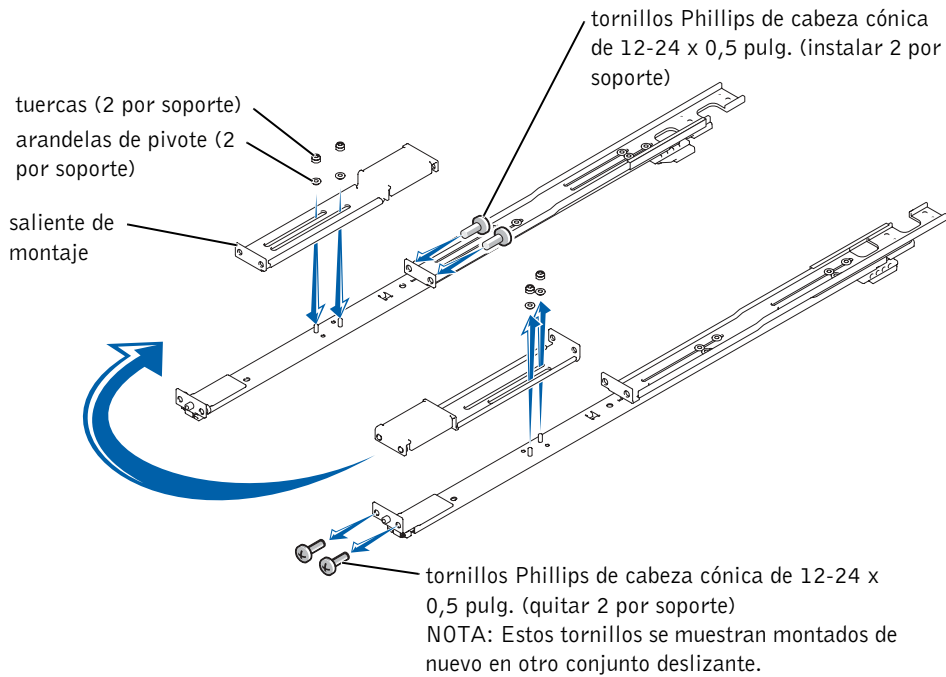
NOTA: Para preparar los conjuntos deslizantes para el montaje al ras, retire el soporte de montaje frontal, gírelo 180 grados y vuelva a colocarlo en el conjunto deslizante opuesto.

- 2** Con un destornillador Phillips del n.º 2 y una llave de 11/32 pulgadas, quite los dos tornillos Phillips de cabeza cónica de 12-24 x 0,5 pulgadas, las dos tuercas y las dos arandelas de pivote de cada soporte central (consulte la Figura 5-17).
- 3** Retire el soporte frontal de ambos conjuntos deslizantes.
- 4** Coloque el soporte de uno de los conjuntos deslizantes en los tornillos roscados del conjunto deslizante opuesto, con el soporte girado 180 grados, de modo que el saliente de montaje quede hacia delante (consulte la Figura 5-17).
- 5** Fije cada soporte de montaje central frontal (con sus tuercas y arandelas de pivote) apretándolos con los dedos en sus conjuntos deslizantes opuestos utilizando las dos arandelas de pivote y las dos tuercas que ha retirado en el paso 2 (consulte la Figura 5-17).
- 6** Una los dos soportes frontales que acaba de montar al soporte del conjunto deslizante con los dos tornillos Phillips de cabeza cónica de 12-24 x 0,5 pulgadas que ha retirado en el paso 2 (consulte la Figura 5-17).

El soporte que acaba de unir pasa a ser el nuevo soporte posterior extendido.

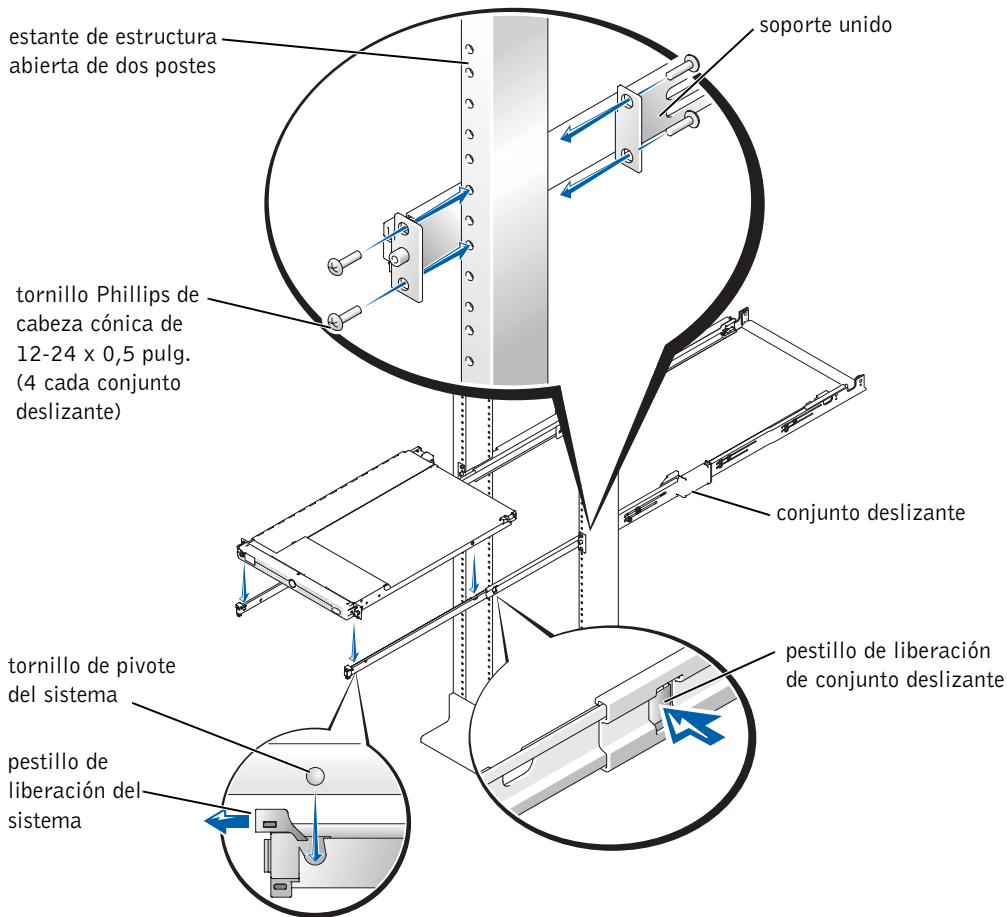
- 7** Repita los pasos del 4 al 6 para montar el otro conjunto deslizante.

Figura 5-17. Rotación del soporte de montaje frontal para el montaje al ras



- 8 Sujetando el conjunto deslizante izquierdo en su sitio en el punto marcado del estante, ajuste el soporte posterior extendido contra la parte posterior del estante vertical de dos postes y fíjelo al riel con dos tornillos Phillips de cabeza cónica de 12-24 x 0,5pulgadas (consulte la Figura 5-18).

Figura 5-18. Instalación de los conjuntos deslizantes para una configuración de montaje a ras



- 9** Sujete el soporte frontal del conjunto deslizante al riel de dos postes con los dos tornillos Phillips de 12-24 x 0,5 pulg. (consulte la Figura 5-18).
- 10** Repita los pasos paso 8 y paso 9 para montar en el estante el conjunto deslizante derecho.
- 11** Utilice una llave o un destornillador para tuercas hexagonales de 11/32 pulgadas para apretar firmemente las tuercas de los soportes de montaje de ambos conjuntos deslizantes que antes apreté con los dedos.

- 12** Monte el soporte de refuerzo en los orificios apropiados en la parte posterior de los conjuntos deslizantes y fije el soporte con un tornillo Phillips de cabeza cónica de 12-24 x 0,5 pulgadas en cada conjunto deslizante (consulte la Figura 5-16).

Si el estante vertical tiene 3 pulgadas de anchura, utilice los orificios del extremo posterior de los conjuntos deslizantes (como se muestra en la Figura 5-16). Si el estante vertical tiene 6 pulgadas de anchura, utilice los orificios situados a 3 pulgadas de la parte frontal de los orificios del extremo posterior de los conjuntos deslizantes.

Instalación del sistema en el estante



PRECAUCIÓN: Debido al tamaño y al peso del sistema, no intente nunca instalarlo sin ayuda.



NOTA: El procedimiento de montaje de un sistema en un estante es idéntico para las bandejas de soporte del montaje centrado y a ras.

- 1 Extraiga completamente los conjuntos deslizantes.



PRECAUCIÓN: Debido al tamaño y al peso del sistema, no intente nunca instalarlo en los conjuntos deslizantes sin ayuda.

- 2 Extraiga el bisel anterior del sistema:
 - a Desbloquee la cerradura.
 - b Presione las lengüetas del extremo derecho e izquierdo.
 - c Saque el bisel del sistema.
- 3 Levante el sistema hasta que quede en su sitio (consulte la Figura 5-18).
- 4 Coloque una mano en la parte inferior delantera del sistema y la otra en la parte inferior trasera.
- 5 Incline la parte posterior del sistema hacia abajo mientras alinea los tornillos de pivote posteriores situados en los laterales del sistema con las ranuras posteriores de los conjuntos deslizantes.
- 6 Coloque los tornillos de pivote posteriores en sus ranuras.
- 7 Baje la parte frontal del sistema y enganche el tornillo de pivote frontal en la ranura frontal situada detrás del pestillo de liberación del sistema (consulte Figura 5-18).

El pestillo de liberación del sistema se moverá hacia adelante y encaja hacia atrás conforme pasa el tornillo de pivote frontal en la ranura frontal.

Utilice este pestillo de liberación del sistema cuando desee retirar el sistema de los conjuntos deslizantes.

- 8 Pulse el pestillo de liberación deslizante situada en el lado de cada conjunto deslizante y introduzca completamente el sistema en el estante (consulte la Figura 5-18).
- 9 Apriete los tornillos mariposa cautivos en cada lado del panel frontal del chasis para sujetar el sistema al estante.

Instalación de la extensión para la administración de cables

Consulte "Instalación de la extensión para la administración de cables" en "Montaje del estante de cuatro montantes".

Canalización de cables

Consulte el procedimiento "Canalización de cables" en "Montaje del estante de cuatro montantes".

Ha completado la instalación del kit de estante en un estante de dos postes.

Índice

B

bloques de detención, 5-4,
5-5, 5-15, 5-20

C

cables

canalización, 5-31

canalizar, 5-18

canalización de cables, 5-17,
5-31

contenido del kit

VersaRails, 5-6

contenido del kit VersaRails

lista, 5-5

contenido enumerado

kit RapidRails, 5-4

E

extensión para administración
de cables

instalar, 5-31

extensión para tendido de
cables, 5-31

canalización de cables, 5-18

montar, 5-13

H

herramientas y

suministros, 5-20

kit de cuatro montantes, 5-4

I

instalación

ensamblajes deslizantes de dos
postes, 5-23

extensión para administración
de cables, 5-31

instalación del sistema

estante de dos postes, 5-30

instrucciones de seguridad,
5-1

K

kit de cuatro montantes

canalización de cables, 5-17

contenido del kit VersaRails,
5-5

herramientas y suministros,
5-4, 5-20

marcar estante, 5-7

montar extensión para tendido
de cables, 5-13

montar sistema, 5-12

kit de cuatro postes

contenido del kit

RapidRails, 5-4

kit de dos postes

instalar ensamblajes

deslizantes, 5-23

instalar extensión para
administración de
cables, 5-31

instalar sistema, 5-30

marcar estante, 5-21

kit, contenido

RapidRails, 5-4

L

lista de contenido

kit de dos montantes, 5-20

lista del contenido

kit VersaRails, 5-5

M

marcaje de estante

kit de dos postes, 5-21

marcar el estante, 5-7

montar

conjuntos deslizantes

RapidRails, 5-8

- conjuntos deslizantes
 - VersaRails, 5-10
- montar extensión para tendido de cables, 5-13
- montar sistema
 - estante de cuatro montantes, 5-12
- montar soporte de refuerzo, 5-26

P

- precauciones para el montaje del estante, 5-3
- puertas
 - colocar, 5-19
 - desmontar, 5-6

R

- RapidRails, contenido del kit, 5-4
- requisitos del estante para VersaRails, 5-3
- rieles verticales
 - marcar, 5-7
 - una unidad de estante, 5-7

S

- soporte de refuerzo, 5-26

U

- unidad de estante, 5-7

V

- VersaRails
 - contenido del kit, 5-5, 5-6
 - requisitos del estante, 5-3



Printed in the U.S.A.
Imprimé aux Etats-Unis.
Gedruckt in den USA.
Impreso en EE.UU.



05X860A00

P/N 5X860 Rev. A00



www.dell.com | support.dell.com